



Chipsmall Limited consists of a professional team with an average of over 10 year of expertise in the distribution of electronic components. Based in Hongkong, we have already established firm and mutual-benefit business relationships with customers from,Europe,America and south Asia,supplying obsolete and hard-to-find components to meet their specific needs.

With the principle of "Quality Parts,Customers Priority,Honest Operation,and Considerate Service",our business mainly focus on the distribution of electronic components. Line cards we deal with include Microchip,ALPS,ROHM,Xilinx,Pulse,ON,Everlight and Freescale. Main products comprise IC,Modules,Potentiometer,IC Socket,Relay,Connector.Our parts cover such applications as commercial,industrial, and automotives areas.

We are looking forward to setting up business relationship with you and hope to provide you with the best service and solution. Let us make a better world for our industry!



Contact us

Tel: +86-755-8981 8866 Fax: +86-755-8427 6832

Email & Skype: info@chipsmall.com Web: www.chipsmall.com

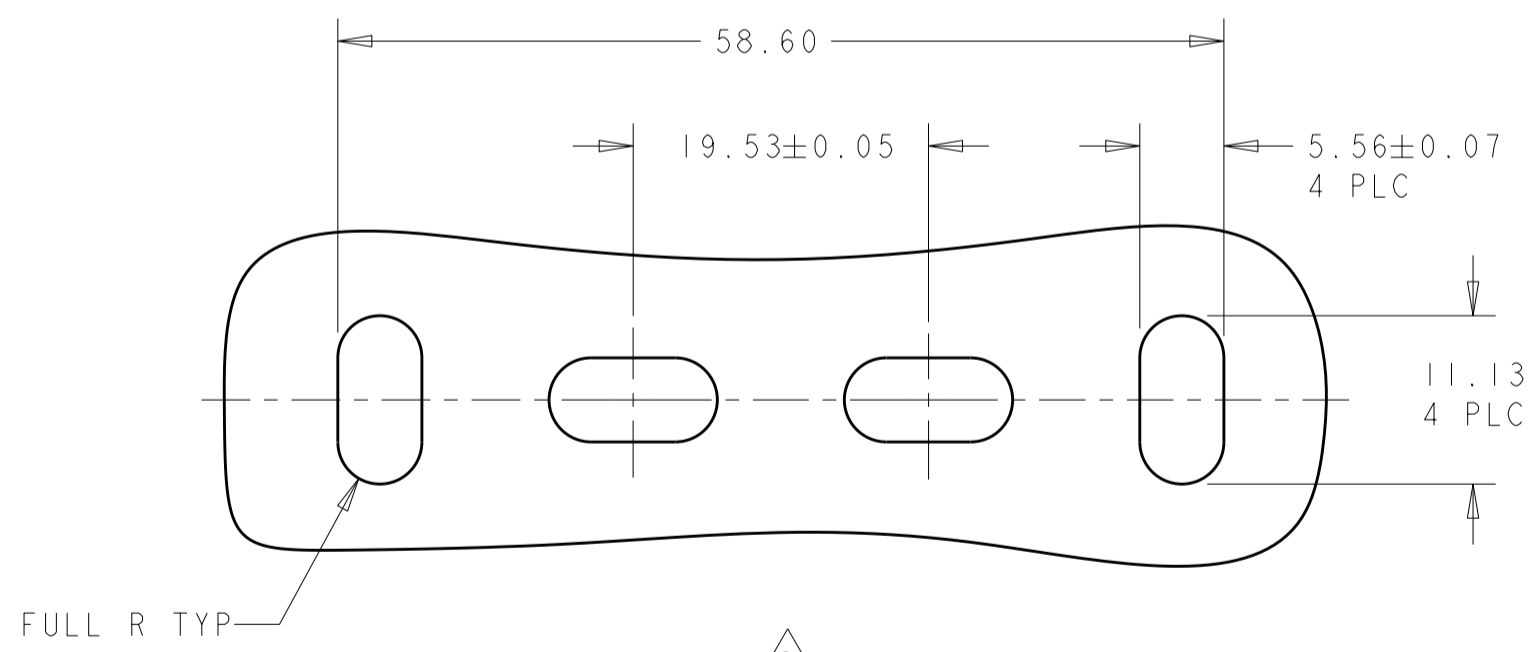
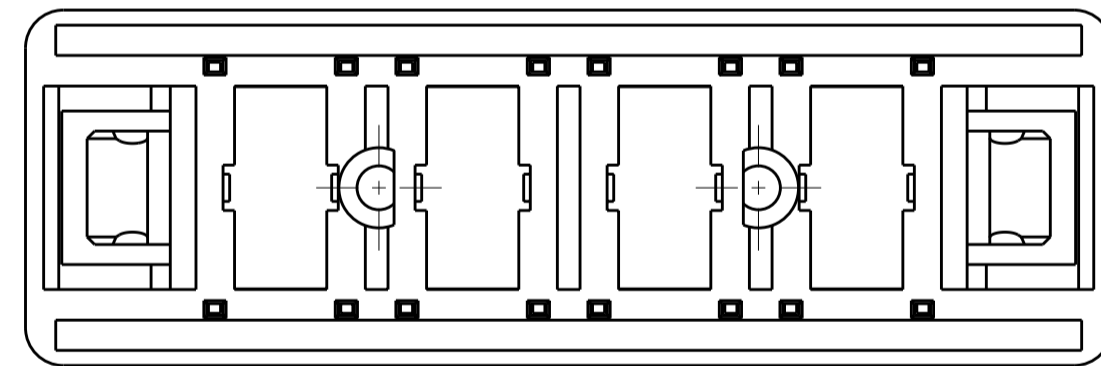
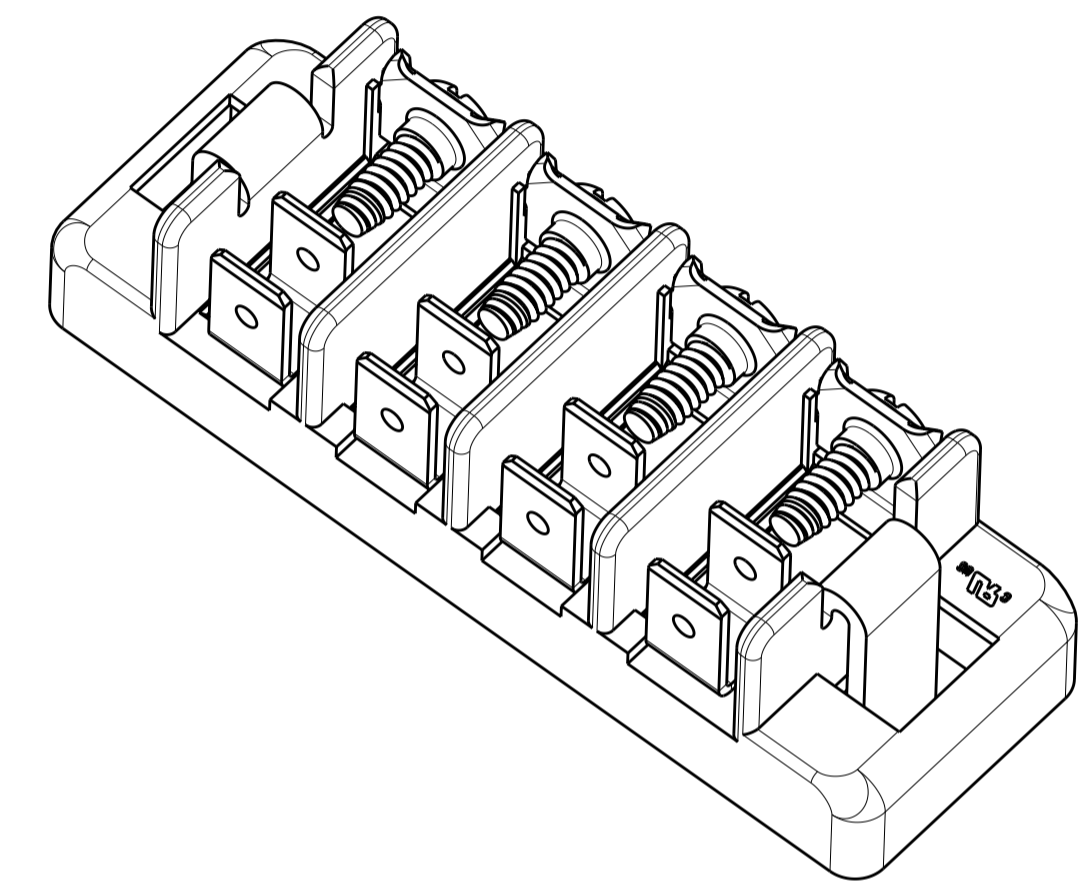
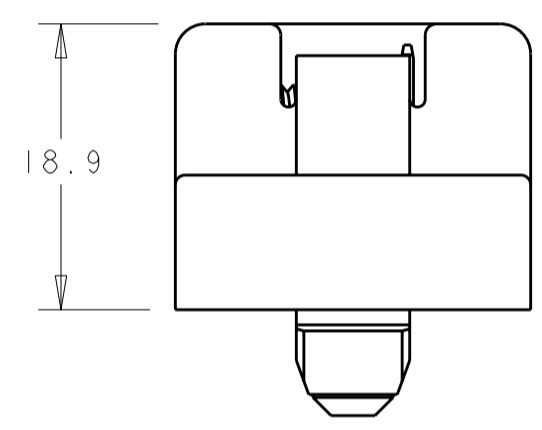
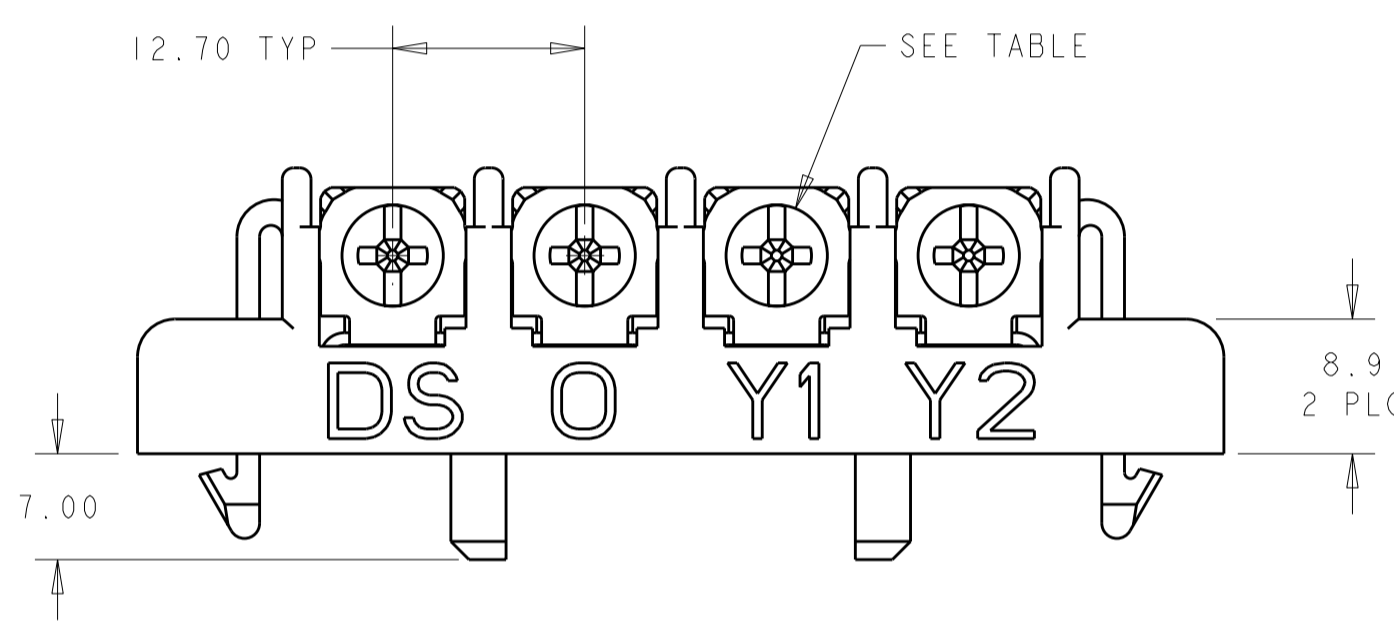
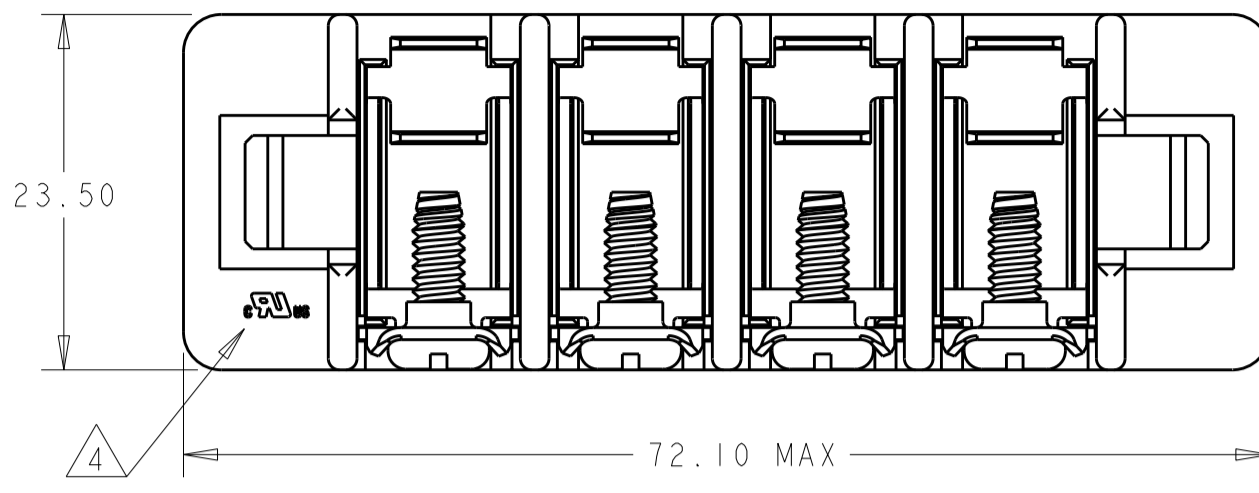
Address: A1208, Overseas Decoration Building, #122 Zhenhua RD., Futian, Shenzhen, China



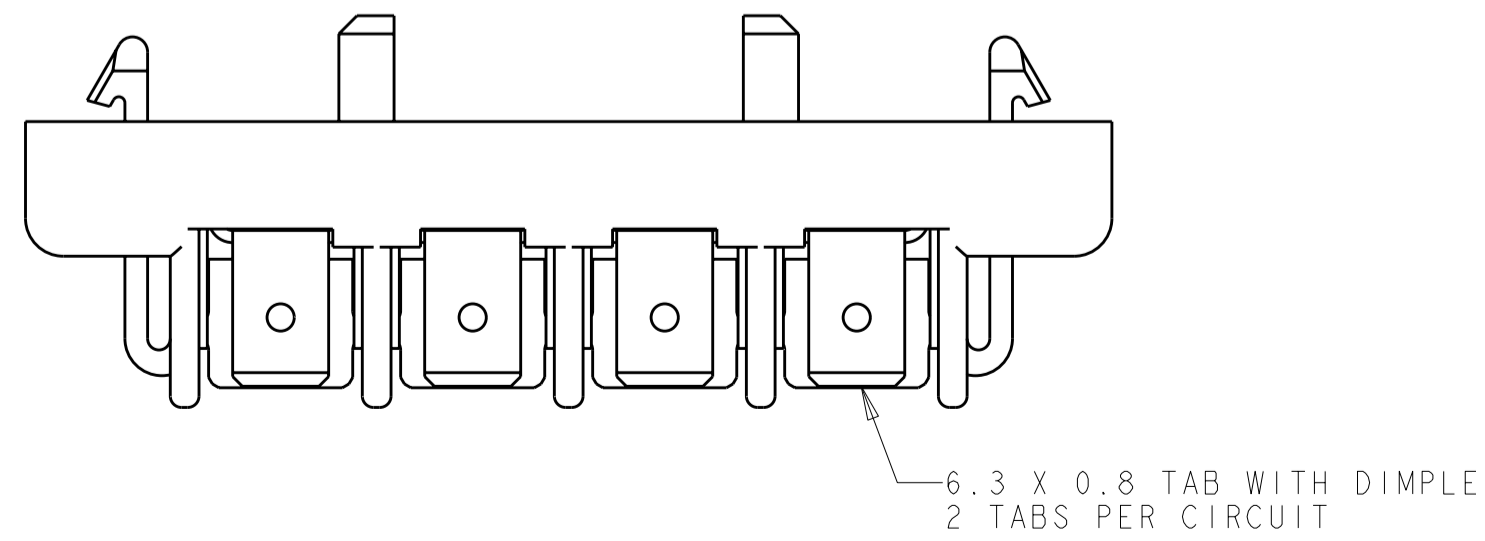
THIS DRAWING IS UNPUBLISHED. RELEASED FOR PUBLICATION 20
 © COPYRIGHT 20 BY TYCO ELECTRONICS CORPORATION. ALL RIGHTS RESERVED.

LOC		DIST		REVISIONS			
P	LTR	DESCRIPTION	DATE	DWN	APVD		
	A2	REVISED PER ECO-10-011897	09JUN2010	HMR	CR		

- 1 MATERIAL AND FINISH:
HOUSING: HIGH TEMP NYLON, COLOR: BLACK
CONTACT: BRASS
SCREW: STEEL, ZINC PLATED
- 2 RECOMMENDED TIGHTENING TORQUE: 12 IN-LB
- 3 PANEL BURR SIDE TO BE OPPOSITE OF CONNECTOR MOUNTING SURFACE.
- 4 UL AND CSA APPROVED, FILE E60677.
- 5 RECOMMENDED TIGHTENING TORQUE 20 IN-LB MAX.
- 6 PRELIMINARY PART



3 RECOMMENDED PANEL CUT-OUT
 PANEL THICKNESS: 0.86-1.06



5	8-32	6	1-1811494-4
2	6-32		1811494-4
SCREW TYPE		PART NUMBER	

THIS DRAWING IS A CONTROLLED DOCUMENT FOR TYCO ELECTRONICS CORPORATION. IT IS SUBJECT TO CHANGE AND THE CONTROLLING ENGINEERING ORGANIZATION SHOULD BE CONTACTED FOR THE LATEST REVISION.		DWN	S. SCHLEGEL	5/16/07	Tyco Electronics Harrisburg, PA 17105-3608	
DIMENSIONS:		CHK	S. YODER	5/16/07	NAME	
mm	TOLERANCES UNLESS OTHERWISE SPECIFIED:	APVD	S. YODER	5/16/07	TERMINAL STRIP 4 POSITION	
	0 PLC ±-	PRODUCT SPEC	-	SIZE	CAGE CODE	DRAWING NO
	1 PLC ±0.2	APPLICATION SPEC	-	A200779	C-1811494	RESTRICTED TO
	2 PLC ±0.15	WEIGHT	-	SCALE 2:1		SHEET 1 OF 1
	3 PLC ±-	CUSTOMER DRAWING		REV A2		
	4 PLC ±-					
	ANGLES ±5°					
	FINISH					