



Chipsmall Limited consists of a professional team with an average of over 10 year of expertise in the distribution of electronic components. Based in Hongkong, we have already established firm and mutual-benefit business relationships with customers from,Europe,America and south Asia,supplying obsolete and hard-to-find components to meet their specific needs.

With the principle of “Quality Parts,Customers Priority,Honest Operation,and Considerate Service”,our business mainly focus on the distribution of electronic components. Line cards we deal with include Microchip,ALPS,ROHM,Xilinx,Pulse,ON,Everlight and Freescale. Main products comprise IC,Modules,Potentiometer,IC Socket,Relay,Connector.Our parts cover such applications as commercial,industrial, and automotives areas.

We are looking forward to setting up business relationship with you and hope to provide you with the best service and solution. Let us make a better world for our industry!



Contact us

Tel: +86-755-8981 8866 Fax: +86-755-8427 6832

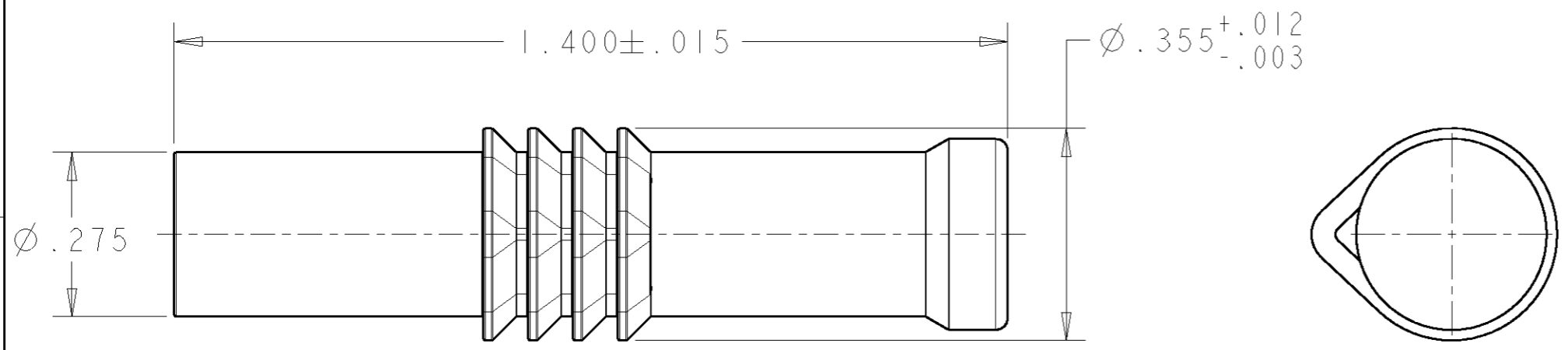
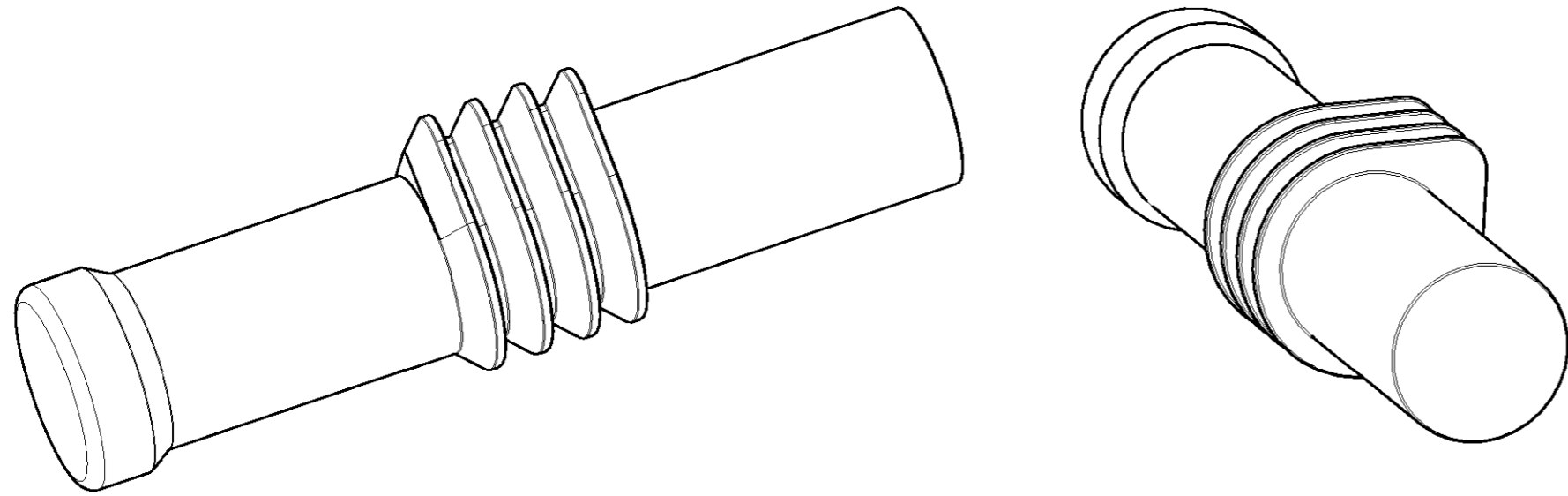
Email & Skype: info@chipsmall.com Web: www.chipsmall.com

Address: A1208, Overseas Decoration Building, #122 Zhenhua RD., Futian, Shenzhen, China



THIS DRAWING IS UNPUBLISHED. RELEASED FOR PUBLICATION 20
 © COPYRIGHT 20 BY TYCO ELECTRONICS CORPORATION. ALL RIGHTS RESERVED.

LOC	DIST	REVISIONS			
P	LTR	DESCRIPTION	DATE	DWN	APVD
DF	A5	B	REV PER ECR-06-001456	19JAN06	BW RW



OBSOLETE
 OBSOLETE
 OBSOLETE

PACKAGE QTY	DESCRIPTION	PART NUMBER
500	SOLID SEALING PLUG	1811633-4
100	SOLID SEALING PLUG	1811633-3
10	SOLID SEALING PLUG	1811633-2
-	-	1811633-1

- 1 MATERIAL: SELF LUBRICATING SILICONE
- 2. COLOR: BLUE
- 3 PARTS PACKAGED IN POLY BAGS IN QUANTITY PER TABLE.

<small>THIS DRAWING IS A CONTROLLED DOCUMENT FOR TYCO ELECTRONICS CORPORATION IT IS SUBJECT TO CHANGE AND THE CONTROLLING ENGINEERING ORGANIZATION SHOULD BE CONTACTED FOR THE LATEST REVISION.</small>		DWN Brent D. Yohn 04JAN2005 CHR R.P. WALTER 04JAN2005 APVD R.P. WALTER 04JAN2005		tyco Tyco Electronics Electronics Harrisburg, PA 17105-3608	
DIMENSIONS: IN 		TOLERANCES UNLESS OTHERWISE SPECIFIED: 0 PLC ±- 1 PLC ±- 2 PLC ±.01 3 PLC ±.005 4 PLC ±- ANGLES ±-		NAME SEAL, PLUG, QUADRAX PRODUCT SPEC - APPLICATION SPEC - WEIGHT -	
MATERIAL FINISH -		CUSTOMER DRAWING		SIZE A3 CAGE CODE 00779 DRAWING NO C-1811633 RESTRICTED TO - SCALE 4:1 SHEET 1 OF 1 REV B	