



Chipsmall Limited consists of a professional team with an average of over 10 year of expertise in the distribution of electronic components. Based in Hongkong, we have already established firm and mutual-benefit business relationships with customers from,Europe,America and south Asia,supplying obsolete and hard-to-find components to meet their specific needs.

With the principle of “Quality Parts,Customers Priority,Honest Operation,and Considerate Service”,our business mainly focus on the distribution of electronic components. Line cards we deal with include Microchip,ALPS,ROHM,Xilinx,Pulse,ON,Everlight and Freescale. Main products comprise IC,Modules,Potentiometer,IC Socket,Relay,Connector.Our parts cover such applications as commercial,industrial, and automotives areas.

We are looking forward to setting up business relationship with you and hope to provide you with the best service and solution. Let us make a better world for our industry!



Contact us

Tel: +86-755-8981 8866 Fax: +86-755-8427 6832

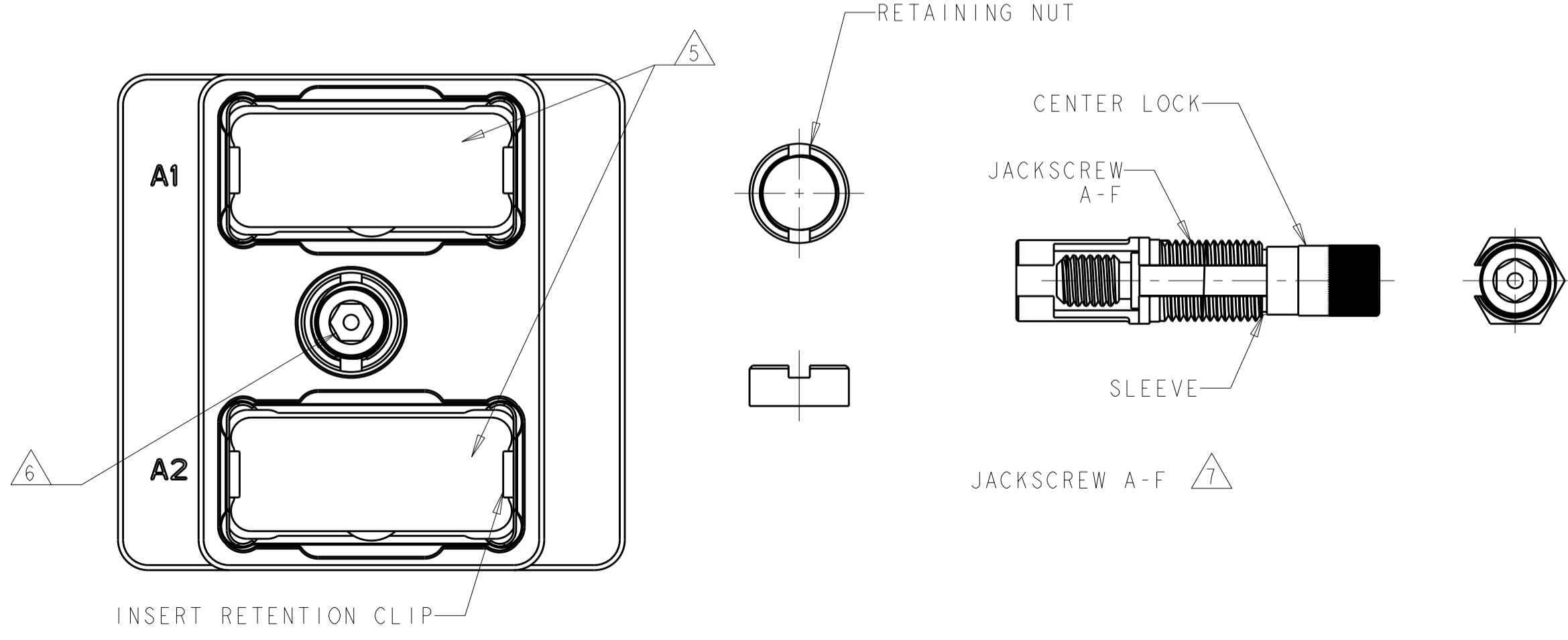
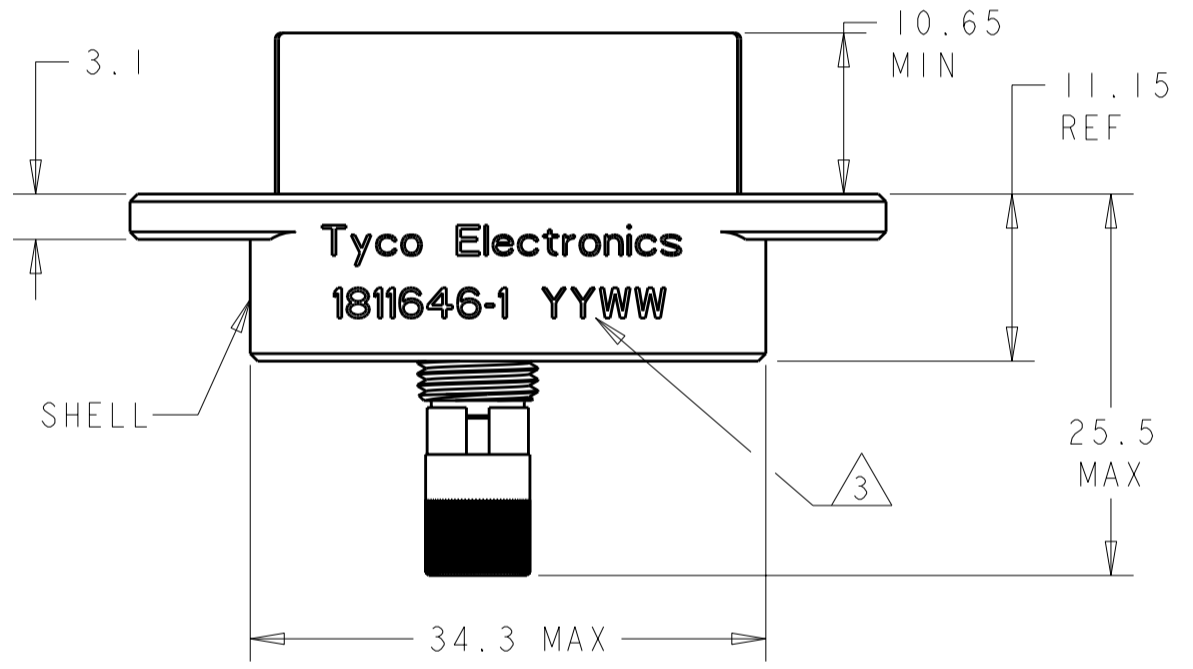
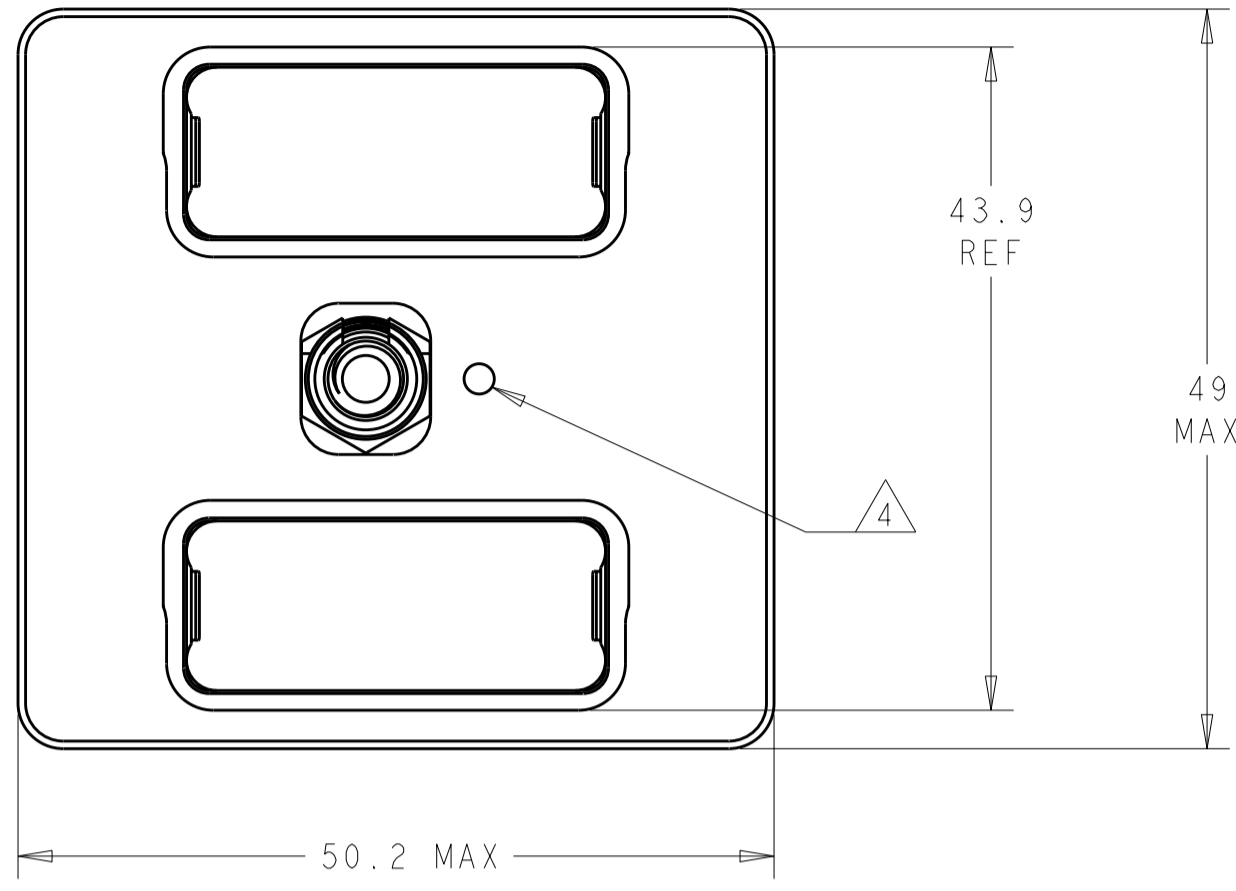
Email & Skype: info@chipsmall.com Web: www.chipsmall.com

Address: A1208, Overseas Decoration Building, #122 Zhenhua RD., Futian, Shenzhen, China



THIS DRAWING IS UNPUBLISHED. RELEASED FOR PUBLICATION 20
 © COPYRIGHT 20 BY TYCO ELECTRONICS CORPORATION. ALL RIGHTS RESERVED.

LOC		DIST		REVISIONS			
P	LTR	DESCRIPTION	DATE	DWN	APVD		
	A	REV PER ECO-05-006127	10AUG05	BH	JPM		
	B	REV PER ECR-06-020613	05SEP2006	RCF	JPM		
	C	REVISED PER ECO-10-009274	20APR2010	RF	JM		



- ① SHELL: ALUMINUM ALLOY 6061 T651
INSERT RETENTION CLIP & JACKSCREW SLEEVE: COPPER ALLOY PER ASTM B194
JACKSCREW KEY, CENTER LOCK, & RETAINING NUT: STAINLESS STEEL PER AISI 316
- ② SHELL: ELECTROLESS NICKEL PER SAE AMS-C-26074, CLASS 1
- ③ DATE CODE - YEAR & WEEK (YY WW)
- ④ INDEXING POINT FOR POLARIZATION
- ⑤ SHELL CAVITIES FOR GPRB SERIES INSERTS WITH KEYING CODE A
- ⑥ HEX KEY SLOT FOR 9/64 ALLEN WRENCH
- ⑦ THE JACKSCREW & RETAINING NUT ARE PRE-ASSEMBLED TO THE SHELL. THESE ARE SHOWN UNASSEMBLED FOR CLARITY.

1811646-1
PART NUMBER

THIS DRAWING IS A CONTROLLED DOCUMENT FOR TYCO ELECTRONICS CORPORATION. IT IS SUBJECT TO CHANGE AND THE CONTROLLING ENGINEERING ORGANIZATION SHOULD BE CONTACTED FOR THE LATEST REVISION.		DWN	BW	10AUG05	Tyco Electronics Harrisburg, PA 17105-3608
DIMENSIONS:		CHK	JPM	10AUG05	
mm		APVD	JPM	10AUG05	
TOLERANCES UNLESS OTHERWISE SPECIFIED:		PRODUCT SPEC		NAME	
0 PLC	±0.2	-		PLUG SHELL ASSEMBLY, VERTICAL, GPRB2	
1 PLC	±0.2	-		SIZE	
2 PLC	±0.2	-		CAGE CODE	
3 PLC	±	-		DRAWING NO	
4 PLC	±	-		RESTRICTED TO	
ANGLES	±	-		A200779C-1811646	
FINISH	②	WEIGHT		-	
MATERIAL		CUSTOMER DRAWING		SCALE 2:1	
①		SHEET		OF	
		REV		C	