



Chipsmall Limited consists of a professional team with an average of over 10 year of expertise in the distribution of electronic components. Based in Hongkong, we have already established firm and mutual-benefit business relationships with customers from,Europe,America and south Asia,supplying obsolete and hard-to-find components to meet their specific needs.

With the principle of “Quality Parts,Customers Priority,Honest Operation,and Considerate Service”,our business mainly focus on the distribution of electronic components. Line cards we deal with include Microchip,ALPS,ROHM,Xilinx,Pulse,ON,Everlight and Freescale. Main products comprise IC,Modules,Potentiometer,IC Socket,Relay,Connector.Our parts cover such applications as commercial,industrial, and automotives areas.

We are looking forward to setting up business relationship with you and hope to provide you with the best service and solution. Let us make a better world for our industry!



Contact us

Tel: +86-755-8981 8866 Fax: +86-755-8427 6832

Email & Skype: info@chipsmall.com Web: www.chipsmall.com

Address: A1208, Overseas Decoration Building, #122 Zhenhua RD., Futian, Shenzhen, China



4

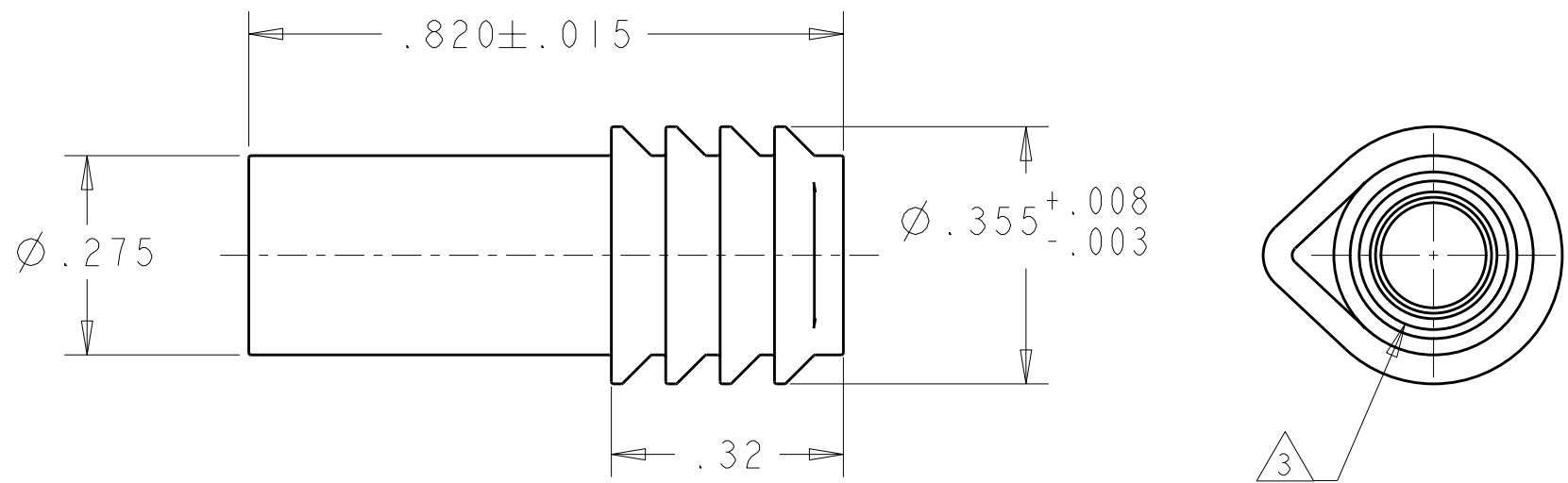
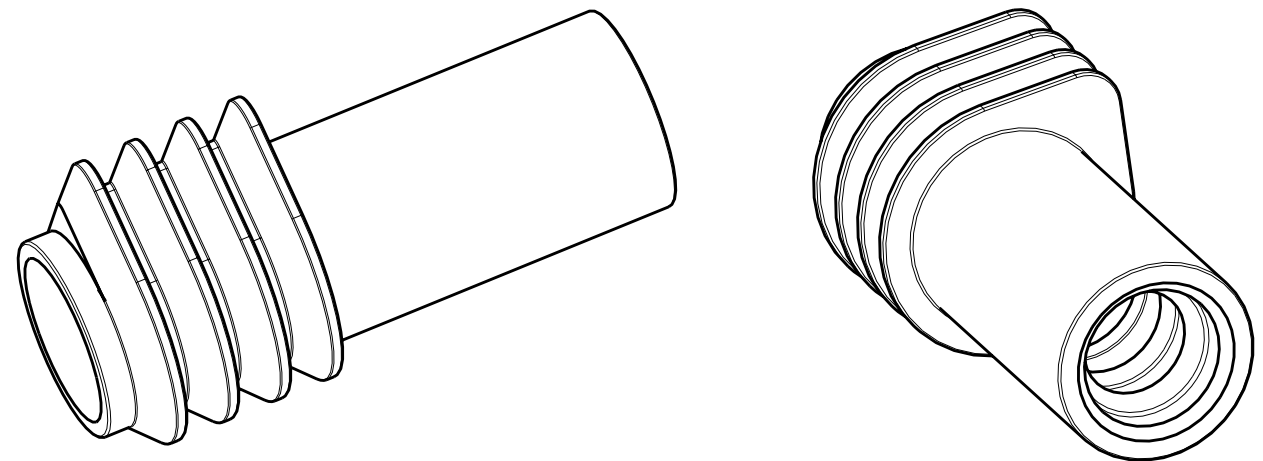
3

2

1

THIS DRAWING IS UNPUBLISHED. RELEASED FOR PUBLICATION
 © COPYRIGHT - BY TYCO ELECTRONICS CORPORATION. ALL RIGHTS RESERVED.

LOC	DIST	REVISIONS			
P	LTR	DESCRIPTION	DATE	DWN	APVD
DF	A5	A	RELEASED	8-13-08	CT DM



1811943-1
 PART NUMBER

- ① MATERIAL: SELF LUBRICATING SILICONE
- 2. COLOR: BLUE
- ③ INSIDE DIAMETER TO SEAL OFF ON .170 - .200 INCH OUTSIDE DIAMETER CABLE

<small>THIS DRAWING IS A CONTROLLED DOCUMENT FOR TYCO ELECTRONICS CORPORATION IT IS SUBJECT TO CHANGE AND THE CONTROLLING ENGINEERING ORGANIZATION SHOULD BE CONTACTED FOR THE LATEST REVISION.</small>		DWN Brent D. Yohn 03JAN2005 CHK R.P.WALTER 03JAN2005 APVD R.P.WALTER 03JAN2005		Tyco Electronics Harrisburg, PA 17105-3608	
DIMENSIONS: INCHES		TOLERANCES UNLESS OTHERWISE SPECIFIED: 0 PLC ±- 1 PLC ±- 2 PLC ±.01 3 PLC ±.005 4 PLC ±- ANGLES ±-		NAME BOOT, SEAL, WIRE, QUADRAX	
		MATERIAL 		PRODUCT SPEC - APPLICATION SPEC - WEIGHT -	
FINISH -		CUSTOMER DRAWING		SIZE A3 CAGE CODE 00779 DRAWING NO C-1811943 RESTRICTED TO - SCALE 4:1 SHEET OF REV A	