



Chipsmall Limited consists of a professional team with an average of over 10 year of expertise in the distribution of electronic components. Based in Hongkong, we have already established firm and mutual-benefit business relationships with customers from,Europe,America and south Asia,supplying obsolete and hard-to-find components to meet their specific needs.

With the principle of “Quality Parts,Customers Priority,Honest Operation,and Considerate Service”,our business mainly focus on the distribution of electronic components. Line cards we deal with include Microchip,ALPS,ROHM,Xilinx,Pulse,ON,Everlight and Freescale. Main products comprise IC,Modules,Potentiometer,IC Socket,Relay,Connector.Our parts cover such applications as commercial,industrial, and automotives areas.

We are looking forward to setting up business relationship with you and hope to provide you with the best service and solution. Let us make a better world for our industry!



Contact us

Tel: +86-755-8981 8866 Fax: +86-755-8427 6832

Email & Skype: info@chipsmall.com Web: www.chipsmall.com

Address: A1208, Overseas Decoration Building, #122 Zhenhua RD., Futian, Shenzhen, China

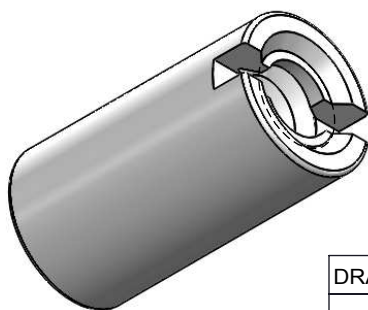
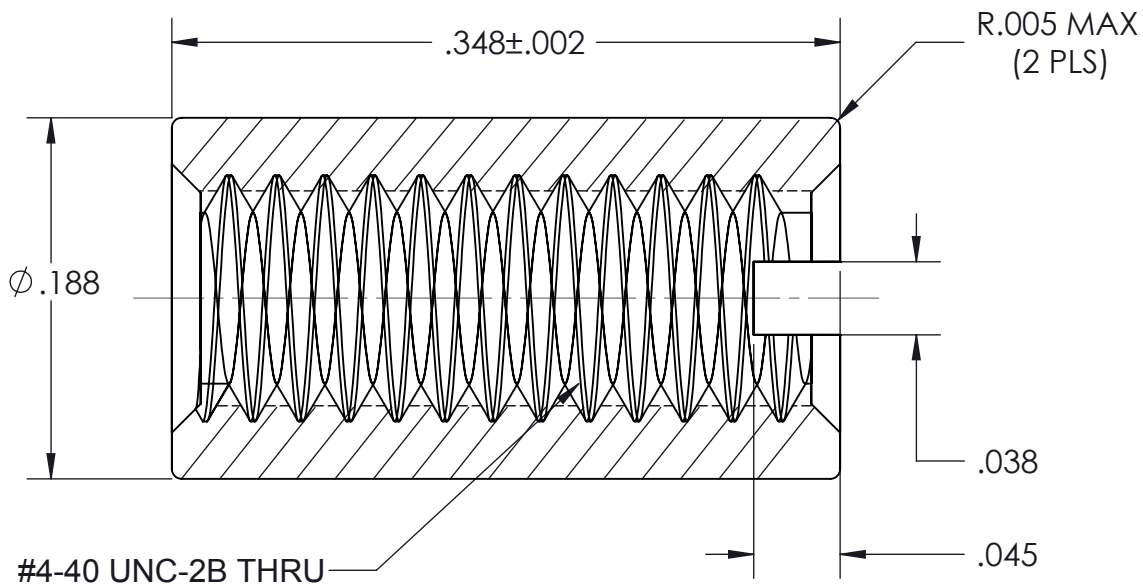


VICOR CONFIDENTIAL

THIS DOCUMENT AND THE DATA DISCLOSED HEREIN OR HEREWITH IS NOT TO BE REPRODUCED, USED OR DISCLOSED IN WHOLE OR IN PART TO ANYONE WITHOUT THE PERMISSION OF VICOR CORP.

REVISIONS

REV	DESCRIPTION	DATE	APPROVED
1	RELEASE PER E9830074	11/13/98	JMR
2	RELEASE PER E100944	07/22/10	DCS

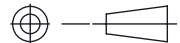


NOTES:

- 1.MATERIAL: 300 SERIES STAINLESS STEEL PER AISI.
- 2.FINISH: CLEAR PASSIVATE PER QQ-P-35B, TYPE II.
- 3.REMOVE ALL BURRS AND SHARP EDGES.
4. KIT P/N 18153
5. BAG P/N 19129
6. DIMENSIONS ARE INCHES ONLY.

DRAWN	DATE
LAP NGUYEN	11/24/97

 SWD

MATERIAL	UNLESS OTHERWISE SPECIFIED DIMENSIONS ARE INCH [MM] TOLERANCES ARE: DECIMALS ANGLES X.XX [X.X] = ±0.01 [0.25] ±1° X.XXX [X.XX] = ±0.005 [0.127]
FINISH	
THIRD ANGLE PROJECTION	
	
DO NOT SCALE DRAWING	

**STANDOFF, 0.348 LG
FEMALE-FEMALE**

SIZE	CAGE CODE	DWG NO	REV
A	67131	18113	2
SCALE 10 : 1		SHEET 1 OF 1	