



Chipsmall Limited consists of a professional team with an average of over 10 year of expertise in the distribution of electronic components. Based in Hongkong, we have already established firm and mutual-benefit business relationships with customers from,Europe,America and south Asia,supplying obsolete and hard-to-find components to meet their specific needs.

With the principle of “Quality Parts,Customers Priority,Honest Operation,and Considerate Service”,our business mainly focus on the distribution of electronic components. Line cards we deal with include Microchip,ALPS,ROHM,Xilinx,Pulse,ON,Everlight and Freescale. Main products comprise IC,Modules,Potentiometer,IC Socket,Relay,Connector.Our parts cover such applications as commercial,industrial, and automotives areas.

We are looking forward to setting up business relationship with you and hope to provide you with the best service and solution. Let us make a better world for our industry!



Contact us

Tel: +86-755-8981 8866 Fax: +86-755-8427 6832

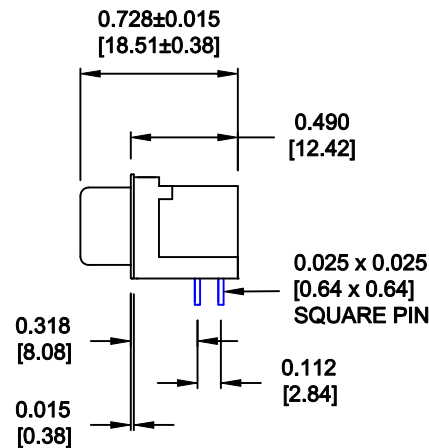
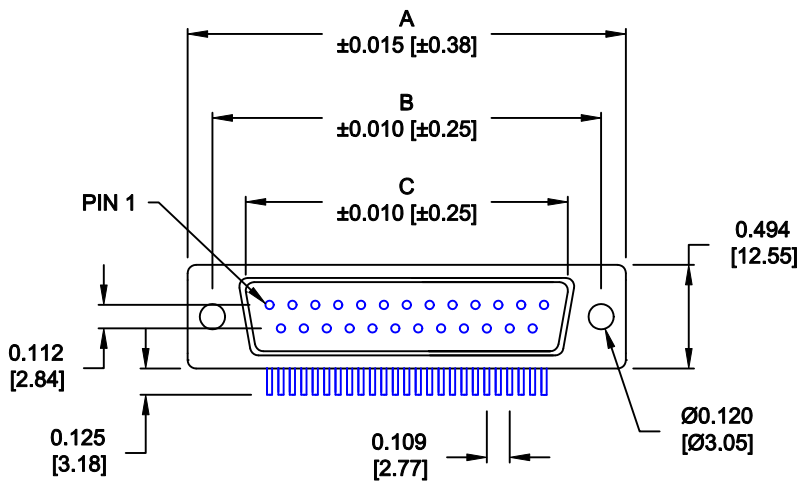
Email & Skype: info@chipsmall.com Web: www.chipsmall.com

Address: A1208, Overseas Decoration Building, #122 Zhenhua RD., Futian, Shenzhen, China

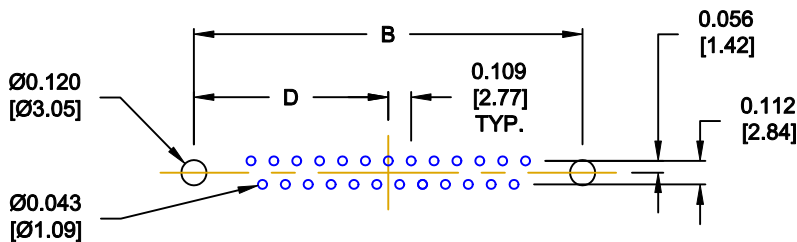
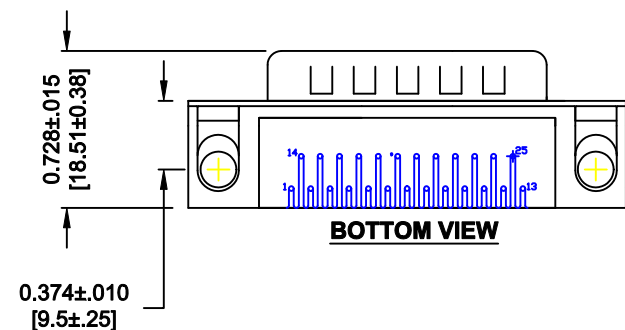


DESCRIPTION: R/A - 0.318 - MALE - ECONOMY - D SUB

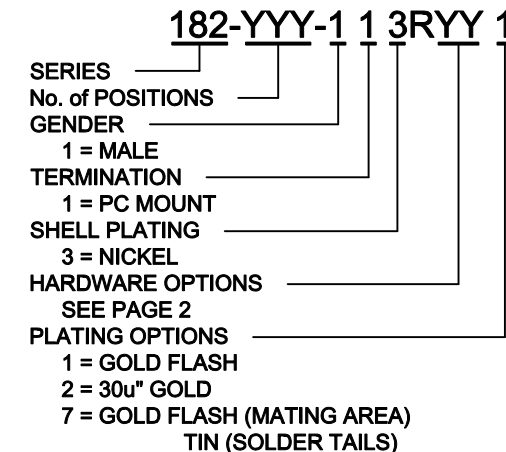
25-PIN SHOWN



No. OF PINS	DIMENSIONS			
	A	B	C	D
009	1.213	0.984	0.666	0.492
	30.80	24.99	16.92	12.50
015	1.541	1.312	0.994	0.656
	39.14	33.32	25.25	16.66
025	2.088	1.852	1.534	0.926
	53.04	47.04	38.96	23.52
037	2.729	2.500	2.181	1.250
	69.32	63.50	57.30	31.75



RECOMMENDED PCB LAYOUT



MATERIAL:

- SHELL: SPCC, NICKEL PLATED
- INSULATOR: UL 94V-O RATED, BLACK, 260° PA9T
- CONTACT: BRASS, GOLD PLATED
- RIVET: COPPER ALLOY, NICKEL PLATED
- SCREWLOCK: ZINC ALLOY, NICKEL PLATED
- BOARDLOCK: SPCC, TIN PLATED

ELECTRICAL:

- CURRENT RATING: 5 AMPS
- DIELECTRIC STRENGTH: 1,000VAC rms
- INSULATION RESISTANCE: 1,000 MOHMS Min
- TEMPERATURE: -55°C TO +105°C

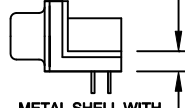
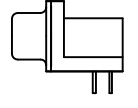
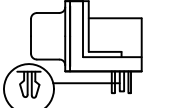
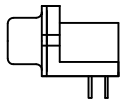
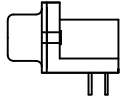
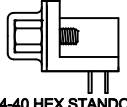
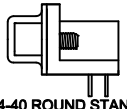
GENERAL TOLERANCES

± 0.006 [0.15]
 HOLE : ± 0.005 [0.13]


DO NOT SCALE FROM DRAWING

RoHS COMPLIANT

	THESE DRAWINGS AND SPECIFICATIONS ARE THE PROPERTY OF NorComp AND SHALL NOT BE REPRODUCED, COPIED OR USED AS THE BASIS FOR THE MANUFACTURE OF SALE OF APPARATUS WITHOUT WRITTEN PERMISSION.	DRAWN: PAM JENKINS CHECKED:	DATE: 03-17-05 DATE:
		SCALE: 1:1 SHEET 1 OF 2 DWG NO. 182-YYY-113RYY1	REV 9

	 0.141 ±0.020 METAL SHELL WITH INSIDE GROUND STRAPS	 METAL SHELL	 METAL SHELL FORK BOARD LOCKS
 .120" DIA. HOLE	16	43	55
 4-40 FLUSH INSERT	17	45	53 BOARD LOCKS IN HOLE
 4-40 HEX STANDOFF FEMALE SCREWLOCK	18	48	56 BOARD LOCKS IN HOLE
 4-40 ROUND STANDOFF FEMALE SCREWLOCK	N/A	N/A	N/A

DO NOT SCALE FROM DRAWING

	THESE DRAWINGS AND SPECIFICATIONS ARE THE PROPERTY OF NorComp AND SHALL NOT BE REPRODUCED, COPIED OR USED AS THE BASIS FOR THE MANUFACTURE OF SALE OF APPARATUS WITHOUT WRITTEN PERMISSION.		DRAWN: PAM JENKINS	DATE: 03-17-05
			CHECKED:	DATE:
NorComp		SCALE: 1 : 1	SHEET 2 OF 2	REV 9
		DWG NO. 182-YYY-113RYY1		

RoHS COMPLIANT