



Chipsmall Limited consists of a professional team with an average of over 10 year of expertise in the distribution of electronic components. Based in Hongkong, we have already established firm and mutual-benefit business relationships with customers from,Europe,America and south Asia,supplying obsolete and hard-to-find components to meet their specific needs.

With the principle of “Quality Parts,Customers Priority,Honest Operation,and Considerate Service”,our business mainly focus on the distribution of electronic components. Line cards we deal with include Microchip,ALPS,ROHM,Xilinx,Pulse,ON,Everlight and Freescale. Main products comprise IC,Modules,Potentiometer,IC Socket,Relay,Connector.Our parts cover such applications as commercial,industrial, and automotives areas.

We are looking forward to setting up business relationship with you and hope to provide you with the best service and solution. Let us make a better world for our industry!



Contact us

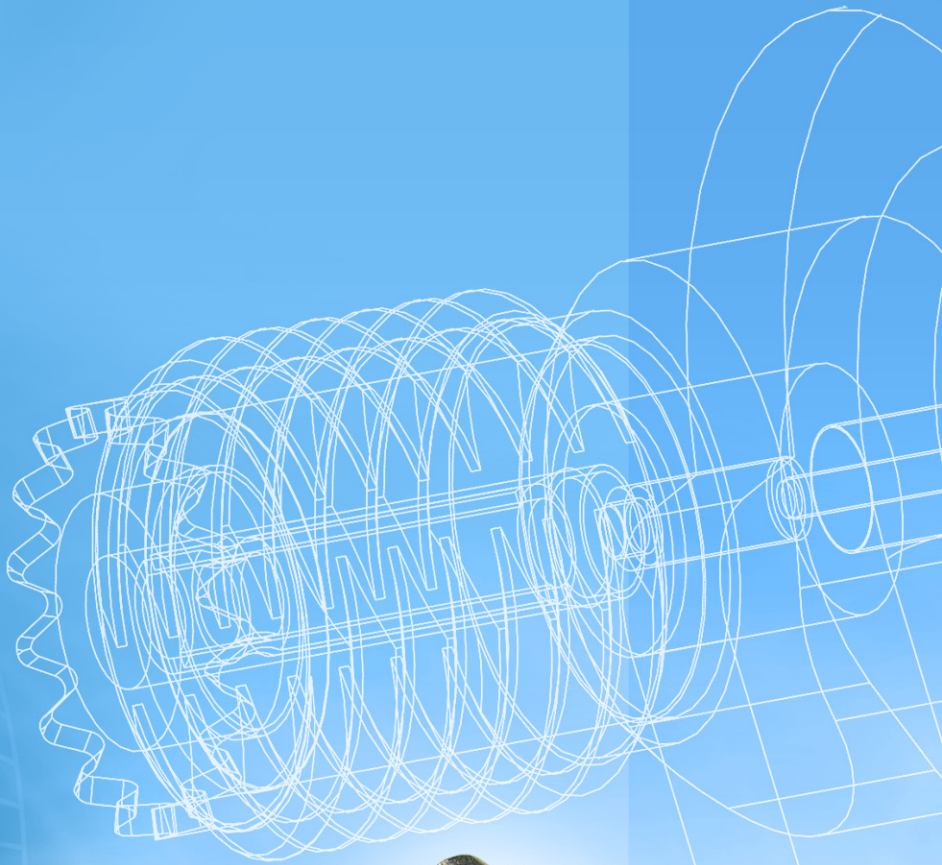
Tel: +86-755-8981 8866 Fax: +86-755-8427 6832

Email & Skype: info@chipsmall.com Web: www.chipsmall.com

Address: A1208, Overseas Decoration Building, #122 Zhenhua RD., Futian, Shenzhen, China



MINI-UHF



Mini-UHF Connectors

Mini-UHF Connectors

Description

Mini-UHF is a miniature version of the UHF connectors that were developed for use in the radio industry. Mini-UHF connectors are designed for use as coaxial interconnection in cell phones, automotive systems, and similar applications where size, weight, and cost factors are critical. Mini-UHF connectors terminate to RG-58, RG-58A, RG-58B, RG-58C, and Belden 9258 cables. Crimp-type cable plugs and jacks are available as well as panel and printed circuit board receptacles.

Features/Benefits

- Miniature 3/8-24 thread size provides excellent RF performance
- The small size and light weight provide excellent electrical characteristics
- Crimp-type cable terminations provide low installation cost
- Diecast bodies and molded insulators ensure low cost
- Teflon insulators provide higher temperature range

Applications

- Antennas
- Cable Assemblies
- Cellular

Mini-UHF

Mini-UHF Specifications

Electrical

Impedance	50 Ω
Frequency range	DC - 2.5 GHz
VSWR	1.25 max. @ DC - 2.5 GHz
Voltage rating (at sea level)	≤ 335 Vrms (depending on cable)
Insulation resistance	5,000 MΩ minimum
Dielectric withstanding voltage	1,000 Vrms (at sea level)

Mechanical

Mating	3/8-24 threaded coupling
Braid/Jacket cable affixment	Hex crimp
Center conductor cable affixment	Crimp

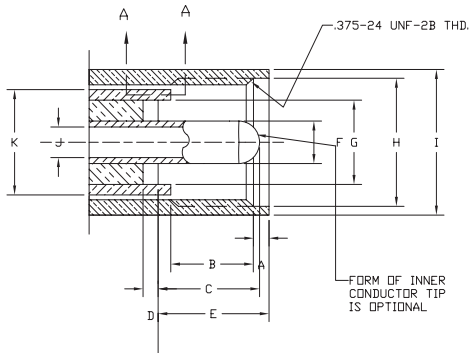
Environmental

Temperature range	-55°C to +85°C
Thermal shock	MIL-STD-202, method 107, cond. A
Corrosion	MIL-STD-202, method 101, cond. B
Vibration	MIL-STD-202, method 204, cond. A
Mechanical shock	MIL-STD-202, method 213, cond. 1

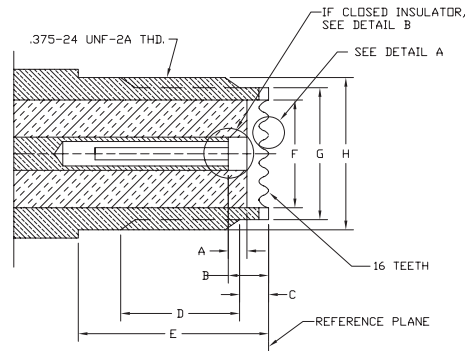
Material

Other metal parts	Brass or zinc alloy, nickel plated
Insulator	PTFE

Plug

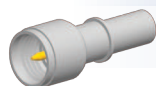


Jack



Cable Connectors

Straight Plugs



Cable Group	Part Number	Body	Plating		Termination	
			Contact	Body	Contact	
C	81-115N-1000	Nickel	Gold	Crimp	Crimp	
C	81-115BK-1000	Black Chromate	Gold	Crimp	Crimp	
E	81-181-RFX	Nickel	Gold	Crimp	Solder	
G2	81-114-RFX	Nickel	Gold	Crimp	Solder	

Angle Plugs



Cable Group	Part Number	Body	Plating		Termination	
			Contact	Body	Contact	
C	81-141-1002	Nickel	Tin	Crimp	Solder	

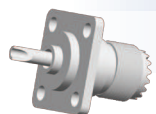
Straight Jacks



Cable Group	Part Number	Body	Plating		Termination	
			Contact	Body	Contact	
C	81-116	Nickel	Tin	Crimp	Gold	
C	81-183-RFX	Nickel	Gold	Crimp	Solder	
E	81-182-RFX	Nickel	Gold	Crimp	Solder	

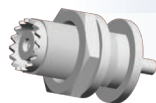
Receptacles

Straight Panel Jacks



Part Number	Body	Plating	
		Contact	Body
81-118-1001	Nickel	Tin	

Straight Bulkhead Jacks



Part Number	Body	Plating	
		Contact	Body
81-120	Nickel	Tin	

Notes

Cable Group	Cable Type
A	RG-178, 196
B	RG-174, 188A, 316, Belden 7805
B1	RG-179, 187, Belden 9221
B2	RD-188/U, RD-316/U
B3	RD-179/U, AT&T 19224L2
C	RG-58, 58A, 58C, 141, 303, LMR195, Belden 7806A, 9907
C1	RG-55, 142, 223, 400
C2	LMR200, Belden 7807A
D	RG-58/U Plenum, Thinnet, RG-122/U, Belden 88240, 89907
E	RG-59, 62, 140, 210, Belden 8241, 8263, 8279, 9209
E1	RG-59/U 20 AWG center conductor, Belden 1426A, 1505A, 9100, 9278
E2	RD-59/U, Belden 8281, 9141, 9231
E3	RG-59/U Quad Shield, Belden 1152A
F	RG-59/U Plenum, Belden 1560A, 9259, 82259, 89259, 88241
F1	RG-59/U Plenum 20 AWG center conductor, Belden 82108
G1	RG-6, 143, 212
G2	8X, LMR240, Belden 7808A, 9258
G3	LMR400, Belden 7810A, 8214, 9913
G4	RG-8, 8A, 9, 87A, 213, 214, 225, 393
G5	RD-6/U
H	RG-11
H1	Belden 1694A, 9248
H2	Belden 1859A, 7731, 8213, 9292
H3	RG-54A/U
I	AT&T 734A, Belden 1505A
I2	AT&T 735A, Belden 735A1
J	Quad 59 headend cable
K	LMR600
K2	Belden 1695A
K3	RG-122, 180, 195, Belden 1855, 1865A, 8218
L	.141 semi-rigid, RG-402/U
L2	.085, .086, .087 semi-rigid, RG-405/U
L3	.250 semi-rigid
L4	.047 semi-rigid, Belden 1674
M	1/2 inch annular corrugated
M1	1 1/4 inch annular corrugated
M2	1 5/8 inch annular corrugated
M3	7/8 inch annular corrugated
N	1/4 Helical
N1	3/8 Helical
N2	1/2 Helical
N3	7/8 inch SFC
P1	.81 mm OD micro-cable
P2	1.13 mm OD micro-cable, TCB-068
P3	1.32 mm OD micro-cable
P4	1.37 mm OD micro-cable