



Chipsmall Limited consists of a professional team with an average of over 10 year of expertise in the distribution of electronic components. Based in Hongkong, we have already established firm and mutual-benefit business relationships with customers from,Europe,America and south Asia,supplying obsolete and hard-to-find components to meet their specific needs.

With the principle of “Quality Parts,Customers Priority,Honest Operation,and Considerate Service”,our business mainly focus on the distribution of electronic components. Line cards we deal with include Microchip,ALPS,ROHM,Xilinx,Pulse,ON,Everlight and Freescale. Main products comprise IC,Modules,Potentiometer,IC Socket,Relay,Connector.Our parts cover such applications as commercial,industrial, and automotives areas.

We are looking forward to setting up business relationship with you and hope to provide you with the best service and solution. Let us make a better world for our industry!



Contact us

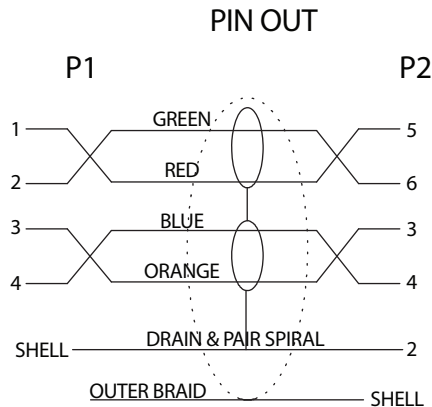
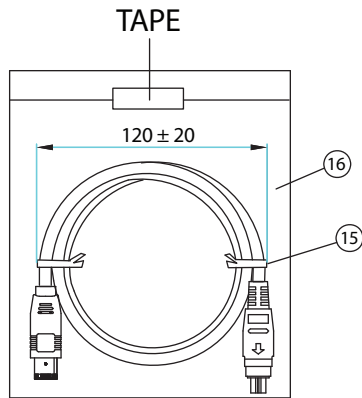
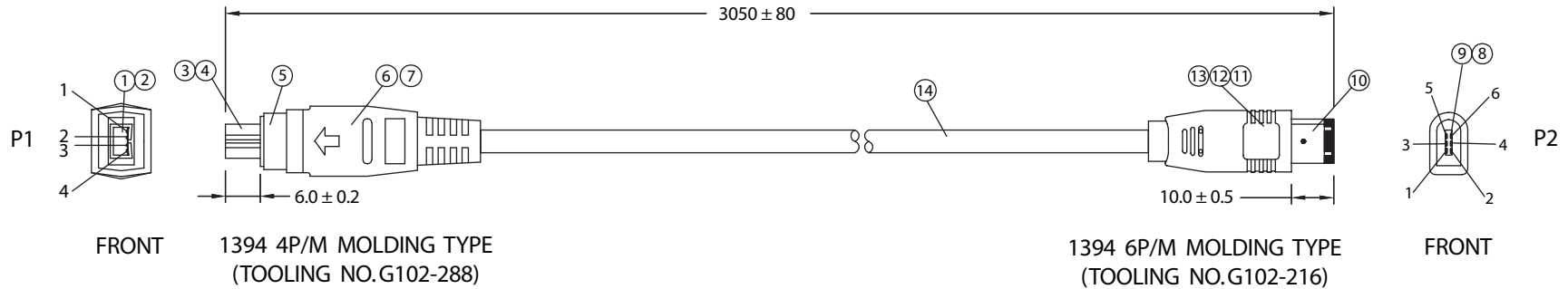
Tel: +86-755-8981 8866 Fax: +86-755-8427 6832

Email & Skype: info@chipsmall.com Web: www.chipsmall.com

Address: A1208, Overseas Decoration Building, #122 Zhenhua RD., Futian, Shenzhen, China



REVISION			
REV.	DESCRIPTION	DATE	APPROVED
A	Deleted AWG Rating Next to P2 Pin Out	03-12-07	DP



NOTES:

- CABLE: UL20276 30AWG IEEE1394
 [(30AWGx1P+FOIL+SP)x2+DW+FILLER+MYLAR+BD]x1
 OUTER JACKET: BLACK, OD: 5.2 ± 0.2mm
 PRINTING: "E166307 AWM STYLE 20276 30AWG VW-1 IEEE AV 1394 COMPLIANT"
- CONNECTORS: IEEE 1394 4P MALE TO IEEE 1394 6P MALE
- HOOD: MOLDED TYPE, COLOR: BLACK
- ELECTRICAL TEST:
 <1>.100% OPEN SHORT & MISS WIRE TEST
 <2>.INSULATION RESISTANCE: DC400V 10M ohm MIN.
 <3>.CONDUCTOR RESISTANCE: 3 ohm MAX.
- PACKING: 1PC/POLYBAG

No.	PARTS NAME	SPECIFICATION STANDARD	QTY	REMARKS
①	4P/M - CONTACT	PHOSPHOR BRONZE / GOLD PLATED	4	
②	4P/M - INSULATOR	PBT / BLACK UL94V-0	1	
③	4P/M - SHELL 1	SHELL / NICKEL PLATED	1	
④	4P/M - SHELL 2	SHELL / NICKEL PLATED	1	
⑤	SLIPCOVER	PBT / TRANSPARENT	1	
⑥	COPPER FOIL	BOTH SIZES FOR SPECIAL ELECTRIC	1	
⑦	4P/M - OUTER MOLD	45P PVC / COLOR: BLACK	1	
⑧	6P/M - CONTACT	PHOSPHOR BRONZE / GOLD PLATED	6	
⑨	6P/M - INSULATOR	PBT / BLACK UL94V-0	1	
⑩	6P/M - SHELL 1 & 2	SHELL / NICKEL PLATED	1	
⑪	COPPER FOIL	BOTH SIZES FOR SPECIAL ELECTRIC	1	
⑫	6P/M - INNER MOLD	LDPE / NATURAL	1	
⑬	6P/M - OUTER MOLD	45P PVC / COLOR: BLACK	1	
⑭	CABLE UL20276	KL02002ABK01B	1	
⑮	MINI TIE	PE / BLACK	2	
⑯	POLYBAG	PE / 0.8x160x180mm	1	

Dim range (mm)	Tolerance +/- (mm)	Qualtek Electronics Corp. WCT DIVISION					
		Part Number: 1821015-10					
0-1	0.15	Description: IEEE 1394 4P/M - IEEE1394 6P/M					
1-6	0.20	REV. A					
6-18	0.30						
18-50	0.50						
50-120	0.70				Drawn / Date	Checked / Date	Approved / Date
120-250	0.90				B.Grubb 01-25-07	01-25-07	JJH / 01-25-07
250-500	1.20						