



Chipsmall Limited consists of a professional team with an average of over 10 year of expertise in the distribution of electronic components. Based in Hongkong, we have already established firm and mutual-benefit business relationships with customers from,Europe,America and south Asia,supplying obsolete and hard-to-find components to meet their specific needs.

With the principle of "Quality Parts,Customers Priority,Honest Operation,and Considerate Service",our business mainly focus on the distribution of electronic components. Line cards we deal with include Microchip,ALPS,ROHM,Xilinx,Pulse,ON,Everlight and Freescale. Main products comprise IC,Modules,Potentiometer,IC Socket,Relay,Connector.Our parts cover such applications as commercial,industrial, and automotives areas.

We are looking forward to setting up business relationship with you and hope to provide you with the best service and solution. Let us make a better world for our industry!



## Contact us

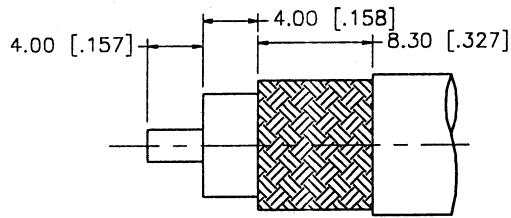
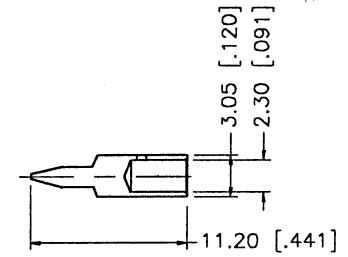
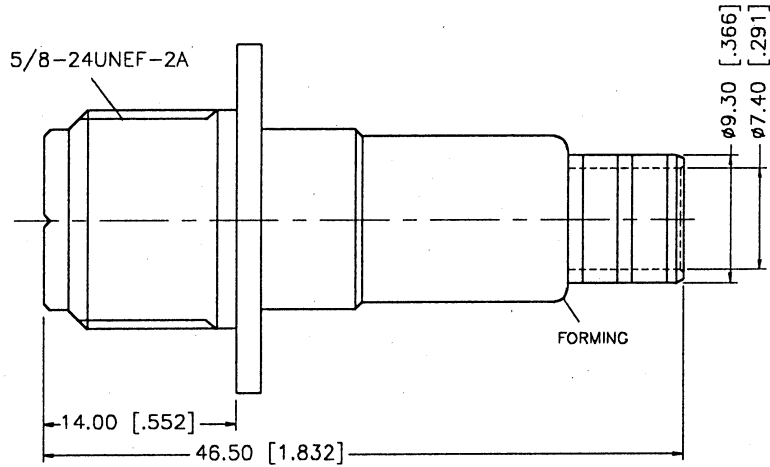
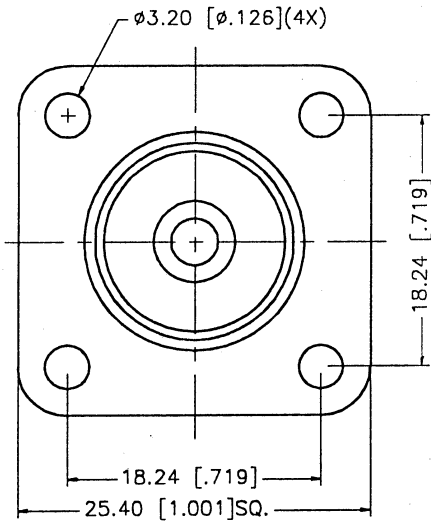
Tel: +86-755-8981 8866 Fax: +86-755-8427 6832

Email & Skype: info@chipsmall.com Web: www.chipsmall.com

Address: A1208, Overseas Decoration Building, #122 Zhenhua RD., Futian, Shenzhen, China



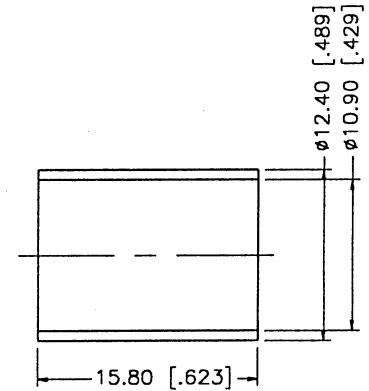
REV.	DATE	DESCRIPTION
NC	01/04/00	INITIAL RELEASE



RECOMMENDED  
CABLE STRIPPING DIM'S

NOTES:

1. CRIMP FERRULE  
HEX CRIMP SIZE .429"
2. CENTER CONTACT  
HEX CRIMP SIZE .100"



DESCRIPTION	MATERIAL	FINISH	UNLESS OTHERWISE SPECIFIED DIMENSIONS ARE IN MILLIMETERS	APPROVALS	DATE	<h1>Amphenol Connex</h1>					
1 BODY	BRASS	NICKEL	DIMENSIONS IN [ ] ARE IN INCHES FOR CUSTOMER REFERENCE ONLY	DRAWN G.R.S.	01/04/00					<h2>UHF PANEL CRIMP JACK (FOR RG-8/U CABLE)</h2>	
2 INSULATOR	TEFLON	NATURAL		UNLESS OTHERWISE SPECIFIED TOLERANCES FOR MILLIMETERS ARE: 0.5-6 = ± 0.2 6-30 = ± 0.4 30-120 = ± 0.6 120-315 = ± 1 315-1000 = ± 1.6 1000-2000 = ± 2.4	CHECKED		SIZE	FSCM NO.	DWG. NO.		
3 CONTACT PIN	BRASS	GOLD	ISSUED				A	99001	182129.DWG	NC	
4 BARREL	BRASS	NICKEL				SCALE	NA	PART NO.	182129	SHEET	1 OF 1
5 CONTACT PIN	BRASS	GOLD									
6 FERRULE	COPPER	NICKEL									
7											
8			DO NOT SCALE DRAWING								