



Chipsmall Limited consists of a professional team with an average of over 10 year of expertise in the distribution of electronic components. Based in Hongkong, we have already established firm and mutual-benefit business relationships with customers from,Europe,America and south Asia,supplying obsolete and hard-to-find components to meet their specific needs.

With the principle of “Quality Parts,Customers Priority,Honest Operation,and Considerate Service”,our business mainly focus on the distribution of electronic components. Line cards we deal with include Microchip,ALPS,ROHM,Xilinx,Pulse,ON,Everlight and Freescale. Main products comprise IC,Modules,Potentiometer,IC Socket,Relay,Connector.Our parts cover such applications as commercial,industrial, and automotives areas.

We are looking forward to setting up business relationship with you and hope to provide you with the best service and solution. Let us make a better world for our industry!



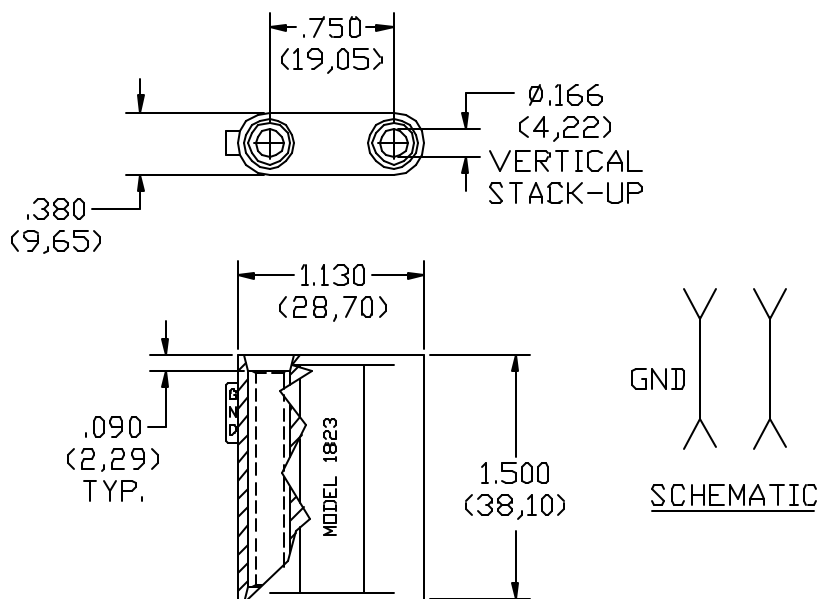
## Contact us

Tel: +86-755-8981 8866 Fax: +86-755-8427 6832

Email & Skype: info@chipsmall.com Web: www.chipsmall.com

Address: A1208, Overseas Decoration Building, #122 Zhenhua RD., Futian, Shenzhen, China





### FEATURES:

- Provides rapid method for splicing cables.
- Reduces necessity of storing extra long cables.
- 4.2 (.166) dia. Banana Jacks.

### MATERIALS:

Upper Conn: Double Banana Jack

Material: Brass per QQ-B-626, Alloy 360, ½ Hard.

Finish: Nickel plated per QQ-N-290, Class 2, 200 to 300 microinches.

Insulation: Polypropylene molded to Banana Jack bodies

Marking: "POMONA ELECTRONICS CALIF." "MODEL 1823."

Color: See Ordering Information

Lower Conn:

Same as Upper Conn.

### RATINGS:

Operating Temperature: +55° C. (+131° F.) Max.

Operating Voltage: 5000 VDC.

Current: 15 Amperes

**ORDERING INFORMATION:** Model 1823-\*

\*= Color, -0 Black, -2 Red

Ordering Example: 1823-2 Color is Red

All dimensions are in inches. Tolerances (except noted): .xx = ±.02" (.51 mm), .xxx = ±.005" (.127 mm).

All specifications are to the latest revisions. Specifications are subject to change without notice.

Registered trademarks are the property of their respective companies. Made in USA