



Chipsmall Limited consists of a professional team with an average of over 10 year of expertise in the distribution of electronic components. Based in Hongkong, we have already established firm and mutual-benefit business relationships with customers from,Europe,America and south Asia,supplying obsolete and hard-to-find components to meet their specific needs.

With the principle of “Quality Parts,Customers Priority,Honest Operation,and Considerate Service”,our business mainly focus on the distribution of electronic components. Line cards we deal with include Microchip,ALPS,ROHM,Xilinx,Pulse,ON,Everlight and Freescale. Main products comprise IC,Modules,Potentiometer,IC Socket,Relay,Connector.Our parts cover such applications as commercial,industrial, and automotives areas.

We are looking forward to setting up business relationship with you and hope to provide you with the best service and solution. Let us make a better world for our industry!



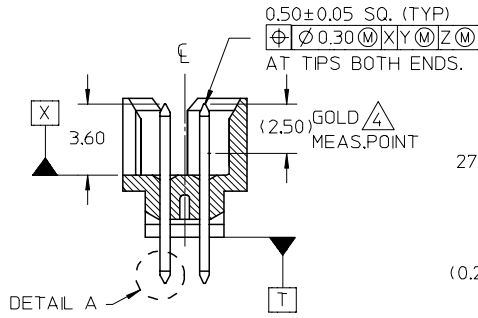
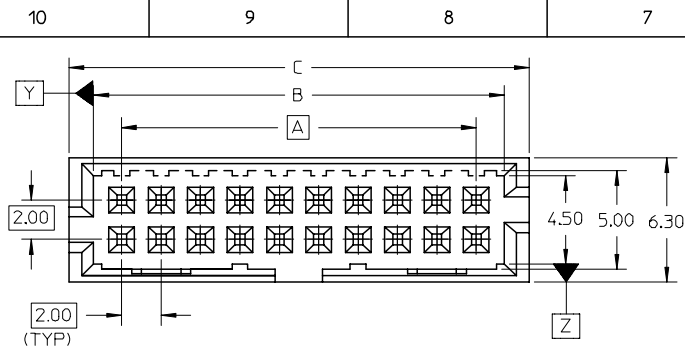
## Contact us

Tel: +86-755-8981 8866 Fax: +86-755-8427 6832

Email & Skype: info@chipsmall.com Web: www.chipsmall.com

Address: A1208, Overseas Decoration Building, #122 Zhenhua RD., Futian, Shenzhen, China





| P/N IN TUBE | CKT SIZE | DIMENSION |       |       |       |
|-------------|----------|-----------|-------|-------|-------|
|             |          | A         | B     | C     | D     |
| 87831-4422  | 44       | 42.00     | 44.85 | 47.38 | 38.00 |
| 87831-4423  | 44       | 42.00     | 44.85 | 47.38 | 38.00 |

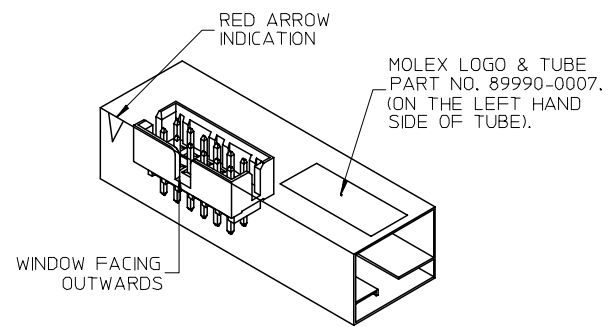


FIG. 1 : ORIENTATION OF PART IN TUBE.  
(FOR THE REFERENCE OF PART/TUBE ASSEMBLY.)

PART NUMBER LEGEND :

87831 - \* \* \* \*

PLATING OPTIONS

- 22 - 0.38um/15uin GOLD IN CONTACT AREA AND 1.88um/75uin MIN. TIN IN SOLDER TAIL AREA OVER 1.27um/50uin MIN. NICKEL OVERALL.
- 23 - 0.76um/30uin GOLD IN CONTACT AREA AND 1.88um/75uin MIN. TIN IN SOLDER TAIL AREA OVER 1.27um/50uin MIN. NICKEL OVERALL.

NOTES:

- FOR ILLUSTRATION PURPOSES, 20 CIRCUIT SIZE WAFER IS SHOWN.
- MATERIAL :  
HOUSING : 30% G.F., NYLON 46, UL94V-0, COLOR BLACK.  
PIN : 0.50MM SQ.PHOSPHOR BRONZE.
- PRODUCT SPECIFICATION PS-87331 APPLIES.
- REQUIRES TO PASS NITRIC ACID POROSITY TEST AS PER EIA-364-53 STANDARD. WIPE LENGTH OF 2.00MM RECOMMENDED FOR TEST.
- PARTS TO BE PACKED IN TUBE WITH MOISTURE BARRIER BAG.

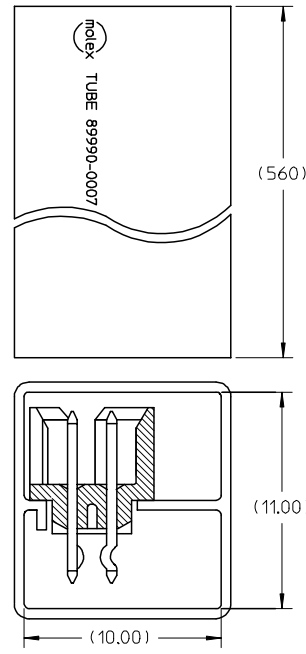
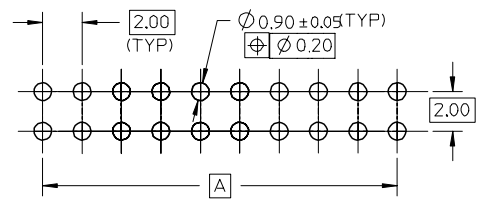
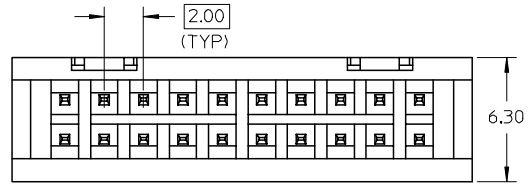
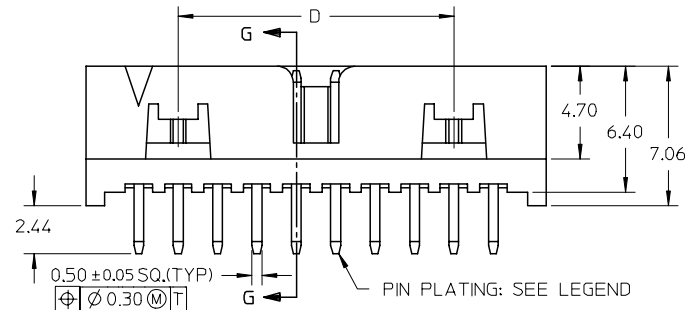


FIG. 1 : ORIENTATION OF PART IN TUBE.



|                                                                                                                              |                                      |                                                                                                                               |                      |                                   |                              |                                                                         |                        |  |
|------------------------------------------------------------------------------------------------------------------------------|--------------------------------------|-------------------------------------------------------------------------------------------------------------------------------|----------------------|-----------------------------------|------------------------------|-------------------------------------------------------------------------|------------------------|--|
| <b>ADD MOIST BAG NOTE</b><br>EC NO: S2007-0892<br>DRWN:GMENARLY 2007/05/04<br>CHKD:SKANG 2007/05/04<br>APPR:MLONG 2007/05/07 | <b>QUALITY SYMBOLS</b><br>▽=0<br>▽=0 | <b>GENERAL TOLERANCES (UNLESS SPECIFIED)</b>                                                                                  |                      | <b>DIMENSION STYLE</b><br>MM ONLY | <b>SCALE</b><br>NTS          | <b>DESIGN UNITS</b><br>METRIC                                           | THIRD ANGLE PROJECTION |  |
|                                                                                                                              |                                      | 4 PLACES ± --- ± ---<br>3 PLACES ± --- ± ---<br>2 PLACES ± 0.2 ± ---<br>1 PLACE ± --- ± ---                                   | mm INCH              | DRAWN BY<br>ATSEE                 | DATE<br>2003/10/08           | TITLE<br>MGRID, SHROUDED HEADER<br>VERTICAL<br>W/SLOTS AND END STANDOFF |                        |  |
|                                                                                                                              |                                      | ANGULAR ± 3 °                                                                                                                 | APPROVED BY<br>SKTOH | DATE<br>2003/11/07                | MOLEX INCORPORATED           |                                                                         |                        |  |
|                                                                                                                              |                                      | <b>DRAFT WHERE APPLICABLE MUST REMAIN WITHIN DIMENSIONS</b>                                                                   | SEE TABLE            | MATERIAL NO.                      | DOCUMENT NO.<br>SD-87831-021 | SHEET NO.<br>1 OF 1                                                     |                        |  |
| <b>A1</b>                                                                                                                    | <b>REV</b>                           | THIS DRAWING CONTAINS INFORMATION THAT IS PROPRIETARY TO MOLEX INCORPORATED AND SHOULD NOT BE USED WITHOUT WRITTEN PERMISSION |                      |                                   |                              |                                                                         |                        |  |