



Chipsmall Limited consists of a professional team with an average of over 10 year of expertise in the distribution of electronic components. Based in Hongkong, we have already established firm and mutual-benefit business relationships with customers from,Europe,America and south Asia,supplying obsolete and hard-to-find components to meet their specific needs.

With the principle of "Quality Parts,Customers Priority,Honest Operation,and Considerate Service",our business mainly focus on the distribution of electronic components. Line cards we deal with include Microchip,ALPS,ROHM,Xilinx,Pulse,ON,Everlight and Freescale. Main products comprise IC,Modules,Potentiometer,IC Socket,Relay,Connector.Our parts cover such applications as commercial,industrial, and automotives areas.

We are looking forward to setting up business relationship with you and hope to provide you with the best service and solution. Let us make a better world for our industry!



Contact us

Tel: +86-755-8981 8866 Fax: +86-755-8427 6832

Email & Skype: info@chipsmall.com Web: www.chipsmall.com

Address: A1208, Overseas Decoration Building, #122 Zhenhua RD., Futian, Shenzhen, China



ZEICHNUNG GESCHÜTZT DURCH
 ©COPYRIGHT 1983
 AMP DEUTSCHLAND GMBH
 ALLE RECHTE VORBEHALTEN

ÄNDERUNGEN, DIE DEM
 TECHNISCHEN FORT-
 SCHRITT DIENEN, BE-
 HALTEN WIR UNS VOR

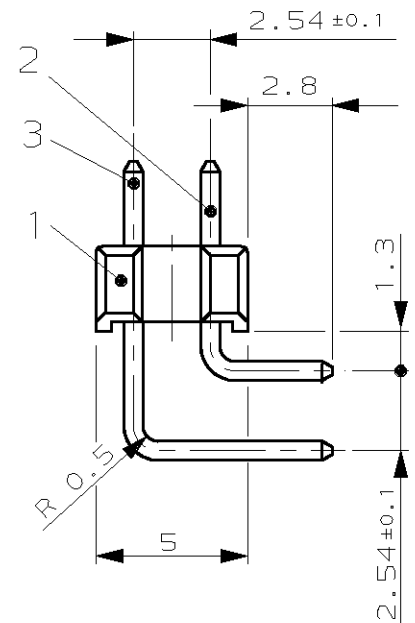
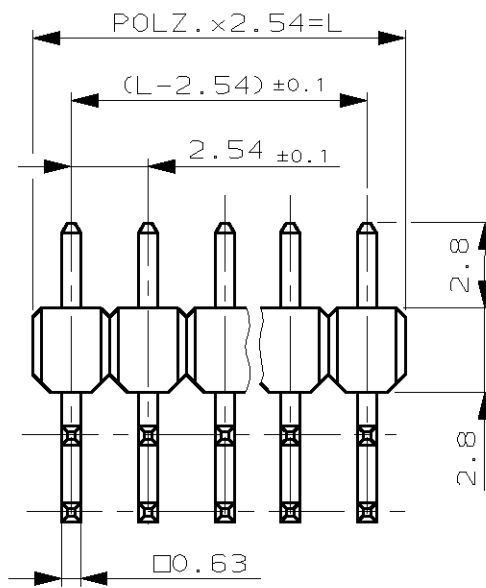
REV.	ÄNDERUNG	DATUM	NAME
1	DER BASIS-NR. IST.....HINZU	12.11.83	W.HOFFM.
2	WAR PROPOSAL-NR. 83-9738/1	28.11.83	RÖDER
3	1- -1,2- -0,2- -2 HINZU	14.03.88	AUGUST.
4	CAD-NEUERSTELLUNG, WAR B-FORMAT	21.02.90	A.HO
A	PIN MATERIAL CHANGED	27.02.03	G.TOTH
B	GEHÄUSEÄNDERUNG	18-SEP-03	HASSEL

NUMMER 827 932

VERWENDET FÜR

WAR NR. 83-9738/1

POLZ. PRO REIHE	L±0.4	BESTELL-NR.
-	-	-
2	5.08	-2
3	7.62	-3
4	10.16	-4
5	12.70	-5
6	15.24	-6
7	17.78	-7
8	20.32	-8
9	22.86	-9
10	25.40	1- -0
11	27.94	1- 827 932 -1
12	30.48	1- -2
13	33.02	1- -3
14	35.56	1- -4
15	38.10	1- 827 932 -5
16	40.64	1- -6
17	43.18	1- -7
18	45.72	1- -8
19	48.26	1- -9
20	50.80	2- 827 932 -0
21	53.34	2- -1
22	55.88	2- 827 932 -2
23	58.42	2- -3
24	60.96	2- 827 932 -4
25	63.50	2- -5
26	66.04	2- -6
27	68.58	2- -7
28	71.12	2- -8
29	73.66	2- -9
30	76.20	3- -0
31	78.74	3- -1
32	81.28	3- -2
33	83.82	3- -3
34	86.36	3- -4
35	88.90	3- -5
36	91.44	3- -6
37	93.98	3- -7
38	96.52	3- -8
39	99.06	3- -9
40	101.60	4- -0
41	104.14	4- -1
42	106.68	4- -2
43	109.22	4- -3
44	111.76	4- -4
45	114.30	4- -5
46	116.84	4- -6
47	119.38	4- -7
48	121.92	4- -8
49	124.46	4- -9
50	127.00	5- 829 235 -0



- ③ PIN HEADER WEIGHT = 0,1323g × POS. PER ROW
- ② Prod. Spec. 108-18012 , Appl.Spec. 114-25011
- ① MIN. 2.0µm ZINN ÜBER 1.27µm NICKEL

CAD-ORIGINAL
 ZEICHNUNG NICHT ÄNDERN

ZEICHNUNG GÜLTIG AB 08/90

AMP

AMP DEUTSCHLAND G.m.b.H.
 Langen b.Ffm., West Germany

KONTAKTSTIFT	3	Cu Sn	①
KONTAKTSTIFT	2	Cu Sn	①
STIFTGEHÄUSE	1	PBTP GV	GRÜN

Benennung
 AMPMODU II STIFTLAISTE 90°
 ZWEIREIHIG

K

BENENNUNG	POS.	WERKSTOFF	OBERFLÄCHE FARBE
GEZ. 16.05.83 W.HOFFMANN	GEPR. 17.05.83 M.Schaarschmidt	GEPR.	

NICHT TOLERIERTE MASSE ± 0.2 mm ± -	FORMAT A4	ZEICHNUNGS-NR. 827932
MASSTAB 4:1	BLATT 1 von 1	REV. B