



Chipsmall Limited consists of a professional team with an average of over 10 year of expertise in the distribution of electronic components. Based in Hongkong, we have already established firm and mutual-benefit business relationships with customers from,Europe,America and south Asia,supplying obsolete and hard-to-find components to meet their specific needs.

With the principle of “Quality Parts,Customers Priority,Honest Operation,and Considerate Service”,our business mainly focus on the distribution of electronic components. Line cards we deal with include Microchip,ALPS,ROHM,Xilinx,Pulse,ON,Everlight and Freescale. Main products comprise IC,Modules,Potentiometer,IC Socket,Relay,Connector.Our parts cover such applications as commercial,industrial, and automotives areas.

We are looking forward to setting up business relationship with you and hope to provide you with the best service and solution. Let us make a better world for our industry!



## Contact us

Tel: +86-755-8981 8866 Fax: +86-755-8427 6832

Email & Skype: info@chipsmall.com Web: www.chipsmall.com

Address: A1208, Overseas Decoration Building, #122 Zhenhua RD., Futian, Shenzhen, China



THIS DRAWING IS UNPUBLISHED. RELEASED FOR PUBLICATION  
 © COPYRIGHT BY TYCO ELECTRONICS CORPORATION. ALL RIGHTS RESERVED.

LOC	DIST	REVISIONS					
AD	00	P	LTR	DESCRIPTION	DATE	DWN	APVD
		A		REVISED PER ECO-08-031577	18DEC08	HMR	MS

SPECIFICATIONS:  
 BREAK BEFORE MAKE  
 2XSPDT

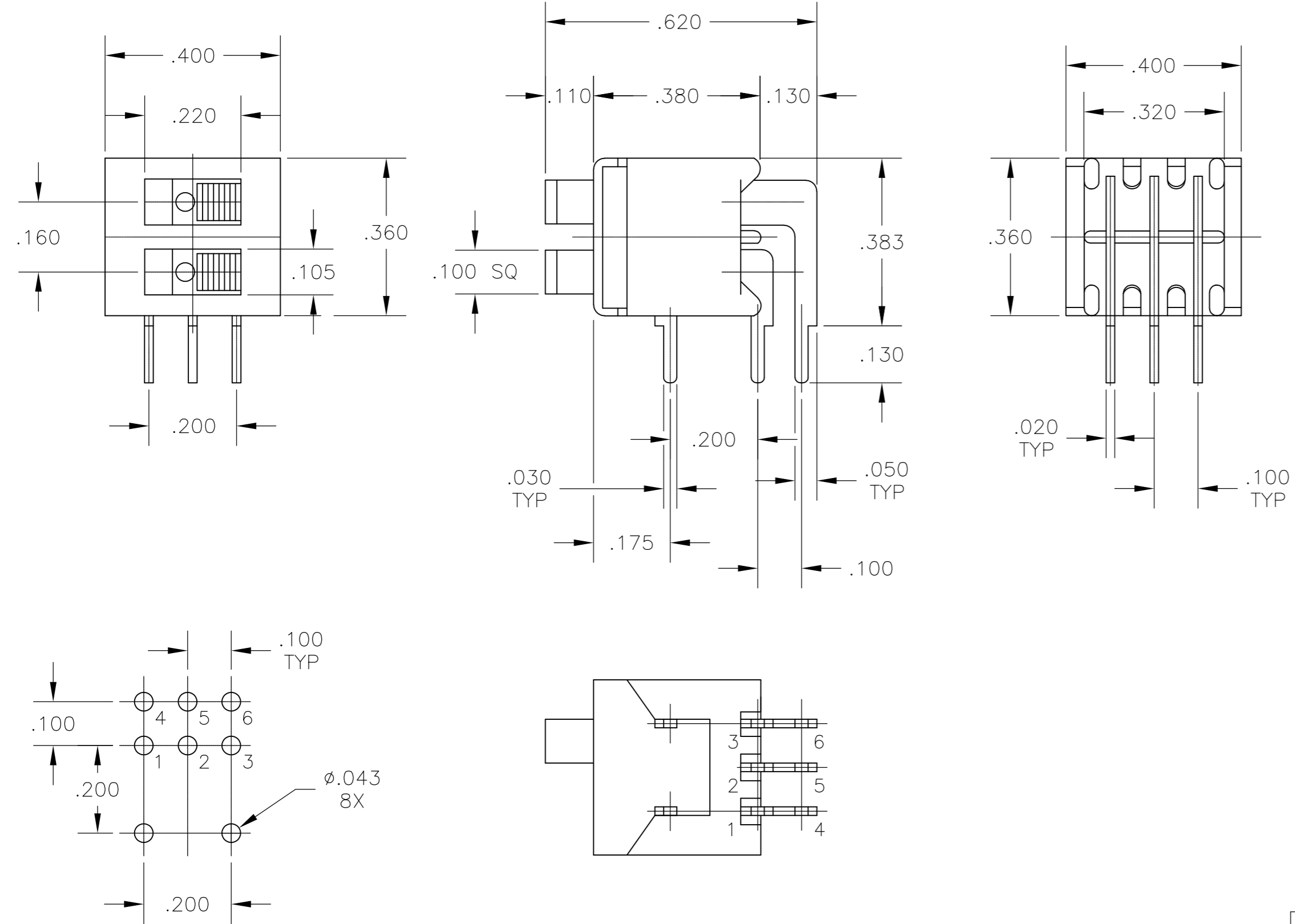
MATERIALS:  
 CASE- LCP UL94V-0, BLACK  
 ACTUATOR- POLYESTER UL94V-0, BLACK  
 FRAME- STEEL, TIN PLATE  
 MOVING CONTACT- COPPER ALLOY, GOLD OVER NICKEL PLATE  
 FIXED CONTACT- COPPER ALLOY, GOLD OVER NICKEL PLATE  
 TERMINAL- COPPER ALLOY, TIN OVER NICKEL PLATE

ELECTRICAL:  
 CONTACT RATING- .4VA MAX @ 20V DC OR PEAK AC  
 INITIAL CONTACT RESISTANCE- 20 MILLIOHMS MAX  
 INSULATION RESISTANCE- 1,000 MEGOHMS MIN @ 500V DC  
 DIELECTRIC STRENGTH- 1,000 VOLTS RMS @ SEA LEVEL  
 LIFE- 60,000-80,000 CYCLES

MECHANICAL:  
 TRAVEL- .120  
 ACTUATION FORCE- 150-600 GRAMS

ENVIRONMENTAL:  
 OPERATING TEMPERATURE- -20°C TO +80°C.  
 STORAGE TEMPERATURE- -20°C TO +80°C.  
 SOLDER HEAT RESISTANCE- PER EIA-364-56A, PROCEDURE 3, COND B  
 SOLDERABILITY- PER EIA-364-52, CLASS 2, CATEGORY 1

1 PRELIMINARY PART NUMBER.



RECOMMENDED HOLE LAYOUT  
 TOLERANCES ±.002 UNLESS OTHERWISE NOTED

1,2-4,5	NONE	2,3-5,6	SPDT	2	FLUSH	TSD21DDG1RAE04	1 1825014-5
1,2-4,5	NONE	2,3-5,6	SPDT	2	EXTENDED	TSD21DDGRAE04	1 1825014-4
1,2-4,5	NONE	2,3-5,6	SPDT	2	FLUSH	TSD21DDG1RA04	1825014-3
1,2-4,5	OFF	2,3-5,6	SPDT	3	EXTENDED	TSD21EEGRA04	1825014-2
1,2-4,5	NONE	2,3-5,6	SPDT	2	EXTENDED	TSD21DDGRA04	1825014-1
			TYPE	POSN	ACTUATOR	ALCO P/N	TE P/N
ACTUATOR POSITION							

THIS DRAWING IS A CONTROLLED DOCUMENT.		DWN	23JUN05	Tyco Electronics Corporation Harrisburg, Pa 17105-3608			
DIMENSIONS: INCHES		CHK	B.S.VISWESWARA	NAME			
TOLERANCES UNLESS OTHERWISE SPECIFIED:		APVD	-	PRODUCT SPEC			
0 PLC ± -		APPLICATION SPEC	-	SLIDE SWITCH DUAL, RA, PC			
1 PLC ± -		WEIGHT	-	SIZE	CAGE CODE	DRAWING NO	RESTRICTED TO
2 PLC ± -		MATERIAL SEE SPECIFICATION		A2	00779	C=1825014	-
3 PLC ± .010		FINISH -		SCALE	SHEET	OF	REV
4 PLC ± -		CUSTOMER DRAWING		4:1	1	1	A
ANGLES ± -							

1825014