



Chipsmall Limited consists of a professional team with an average of over 10 year of expertise in the distribution of electronic components. Based in Hongkong, we have already established firm and mutual-benefit business relationships with customers from,Europe,America and south Asia,supplying obsolete and hard-to-find components to meet their specific needs.

With the principle of “Quality Parts,Customers Priority,Honest Operation,and Considerate Service”,our business mainly focus on the distribution of electronic components. Line cards we deal with include Microchip,ALPS,ROHM,Xilinx,Pulse,ON,Everlight and Freescale. Main products comprise IC,Modules,Potentiometer,IC Socket,Relay,Connector.Our parts cover such applications as commercial,industrial, and automotives areas.

We are looking forward to setting up business relationship with you and hope to provide you with the best service and solution. Let us make a better world for our industry!



## Contact us

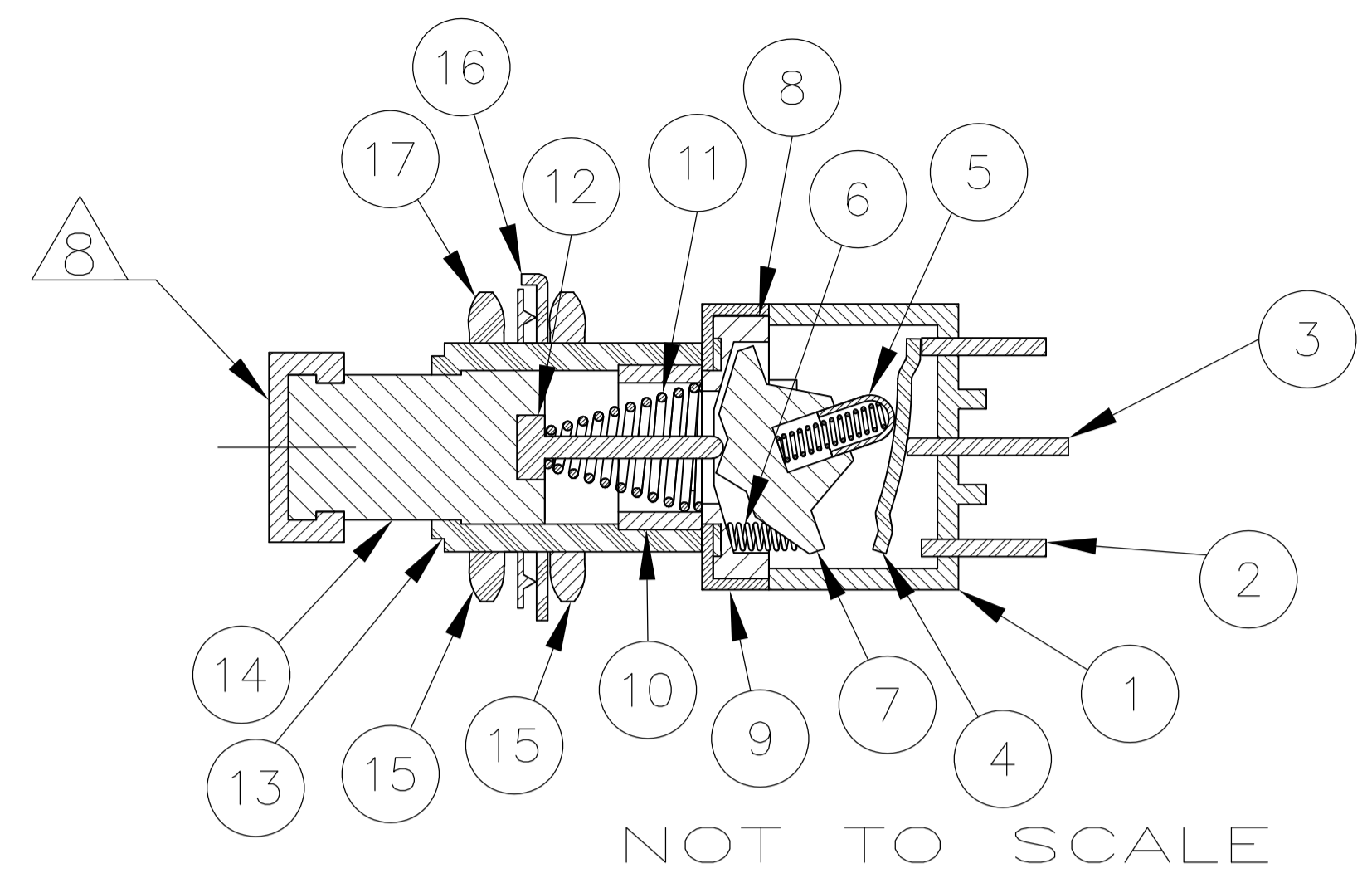
Tel: +86-755-8981 8866 Fax: +86-755-8427 6832

Email & Skype: info@chipsmall.com Web: www.chipsmall.com

Address: A1208, Overseas Decoration Building, #122 Zhenhua RD., Futian, Shenzhen, China

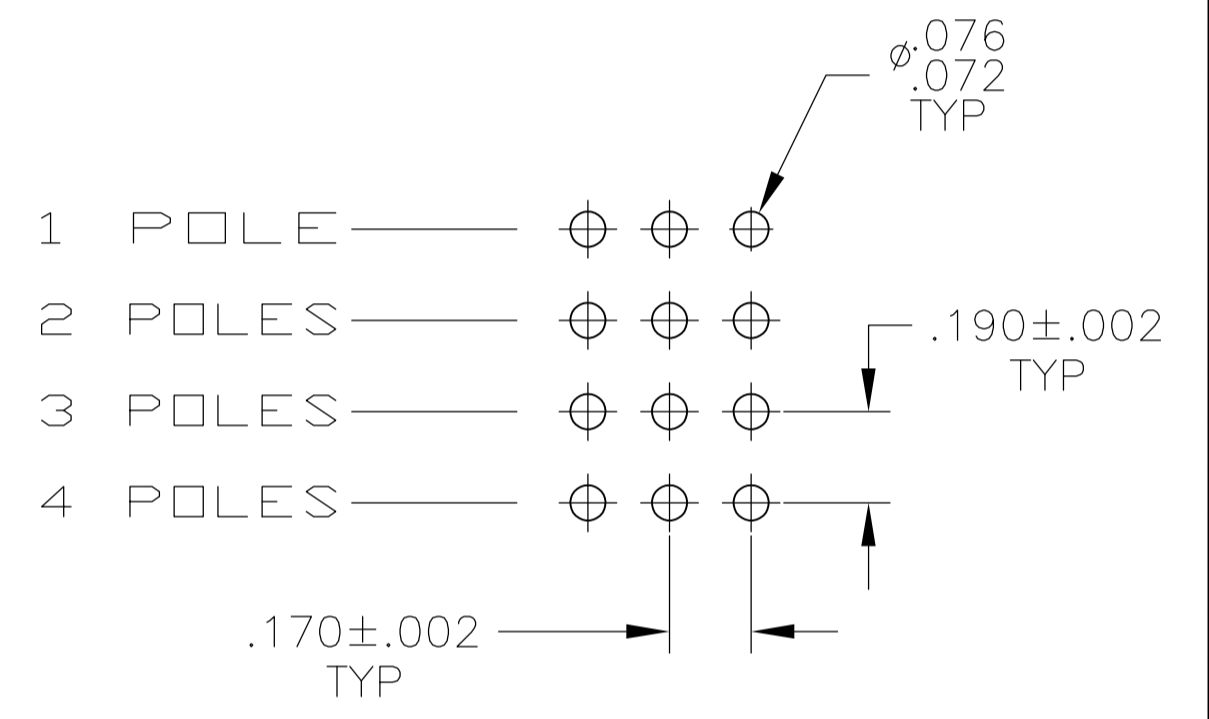
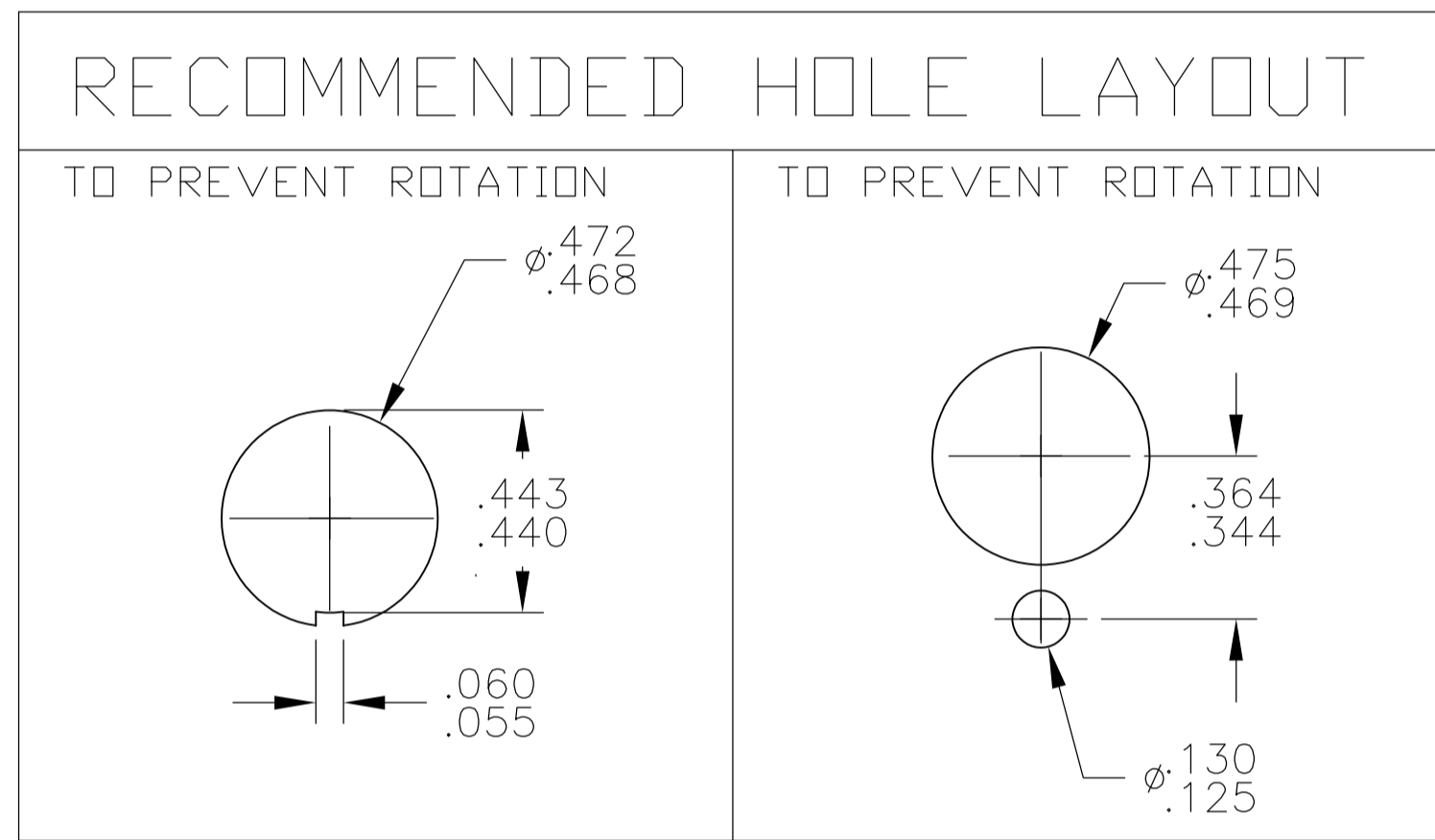


| Materials |                           |                          |            |
|-----------|---------------------------|--------------------------|------------|
| No        | Component name            | Base material            | Plating    |
| 1         | Housing                   | Diallyl phthalate resin  |            |
| 2         | End terminal              | silver clad copper alloy | gold flash |
| 3         | Center terminal           | copper alloy             | gold flash |
| 4         | Rocker contact            | silver clad copper alloy | gold flash |
| 5         | Actuator tip              | Phenol resin, UL94 HB    |            |
| 6         | Actuator spring           | music wire               |            |
| 7         | Actuator                  | Phenol resin, UL94 HB    |            |
| 8         | Actuator guide            | polymer                  |            |
| 9         | Frame                     | stainless steel 100-77   |            |
| 10        | Retainer/Stopper          | polyamid resin           | none       |
| 11        | Plunger spring            | music wire               |            |
| 12        | Plunger pin               | brass                    |            |
| 13        | Bushing                   | zinc                     | nickel     |
| 14        | Plunger                   | brass                    | nickel     |
| 15        | Mounting nuts (2)         | brass                    | nickel     |
| 16        | Locating ring             | cold rolled steel        | nickel     |
| 17        | Internal tooth lockwasher | steel                    | nickel     |



NOT TO SCALE

| Specifications                     |                                |                          |                  |
|------------------------------------|--------------------------------|--------------------------|------------------|
| <b>Current rating UL &amp; CSA</b> | 6A @ 125 VAC (resistive)       |                          |                  |
|                                    | 3A @ 250 VAC (resistive)       |                          |                  |
|                                    | 4A @ 28 VDC (resistive)        |                          |                  |
| <b>Initial contact resistance</b>  | 10 milliohms max @ 2-4 VDC, 1A |                          |                  |
| <b>Dielectric strength</b>         | 1,000 megohms min.             |                          |                  |
| <b>Withstanding voltage</b>        | 1,500 VAC                      |                          |                  |
| <b>Travel</b>                      | .140                           |                          |                  |
| <b>Actuation force</b>             | .4 to 2 kgf                    |                          |                  |
| <b>Operating temperature</b>       | -20C to +85C                   |                          |                  |
| <b>Storage temperature</b>         | -40C to +85C                   |                          |                  |
| <b>Contact timing</b>              | break before make              |                          |                  |
| <b>Terminal seal</b>               | over molded                    |                          |                  |
| <b>Durability</b>                  | <b>Parameter</b>               | <b>Push on/ Push off</b> | <b>Momentary</b> |
|                                    | 250 VAC (3A resistive)         | 30,000                   | 30,000           |
|                                    | 125 VAC (6A resistive)         | 30,000                   | 30,000           |
|                                    | 28 VDC (4A resistive)          | 30,000                   | 30,000           |



PC BOARD LAYOUT  
PC TERMINAL ONLY

| PART NUMBER | Alco P/N  | Mark SWITCH | Poles | Throws | Terminal | Function     |              | Connected Terminals  |                      |
|-------------|-----------|-------------|-------|--------|----------|--------------|--------------|----------------------|----------------------|
|             |           |             |       |        |          | MPG xxx ALCO | MPG xxx ALCO | MPG xxx ALCO         | MPG xxx ALCO         |
| 5-1437567-8 | MPG406R   | MPG 406R    | 4     | 2      | Wire lug | ON           | MOM          | 2-1, 5-4, 8-7, 11-10 | 2-3, 5-6, 8-9, 11-12 |
| 5-1437567-7 | MPG406N   | MPG 406N    | 4     | 2      | Wire lug | ON           | ON           | 2-1, 5-4, 8-7, 11-10 | 2-3, 5-6, 8-9, 11-12 |
| 5-1437567-6 | MPG306F   | MPG 306F    | 3     | 2      | Wire lug | ON           | MOM          | 2-1, 5-4, 8-7        | 2-3, 5-6, 8-9        |
| 5-1437567-5 | MPG306D   | MPG 306D    | 3     | 2      | Wire lug | ON           | ON           | 2-1, 5-4, 8-7        | 2-3, 5-6, 8-9        |
| 5-1437567-4 | MPG206RPC | MPG 206RPC  | 2     | 2      | PC       | ON           | MOM          | 2-1, 5-4             | 2-3, 5-6             |
| 5-1437567-3 | MPG206R   | MPG 206R    | 2     | 2      | Wire lug | ON           | MOM          | 2-1, 5-4             | 2-3, 5-6             |
| 5-1437567-2 | MPG206NPC | MPG 206NPC  | 2     | 2      | PC       | ON           | ON           | 2-1, 5-4             | 2-3, 5-6             |
| 5-1437567-1 | MPG206N   | MPG 206N    | 2     | 2      | Wire lug | ON           | ON           | 2-1, 5-4             | 2-3, 5-6             |
| 5-1437567-0 | MPG106F   | MPG 106F    | 1     | 2      | Wire lug | ON           | MOM          | 2-1                  | 2-3                  |
| 4-1437567-9 | MPG106D   | MPG 106D    | 1     | 2      | Wire lug | ON           | ON           | 2-1                  | 2-3                  |

- NOTES:
- TERMINAL NUMBERS ARE FOR REFERENCE ONLY AND DO NOT APPEAR ON THE SWITCHES.
  - EACH SWITCH SUPPLIED WITH THE FOLLOWING MOUNTING HARDWARE:
    - (2) 15/32-32 UNS-2B HEX NUTS
    - (1) INTERNAL TOOTH LOCKWASHER
    - (1) LOCATING RING

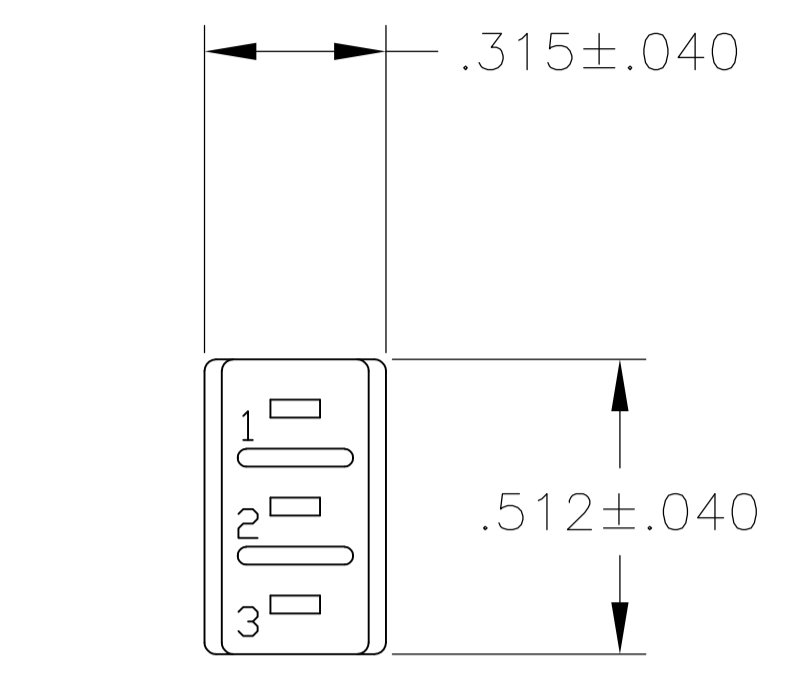
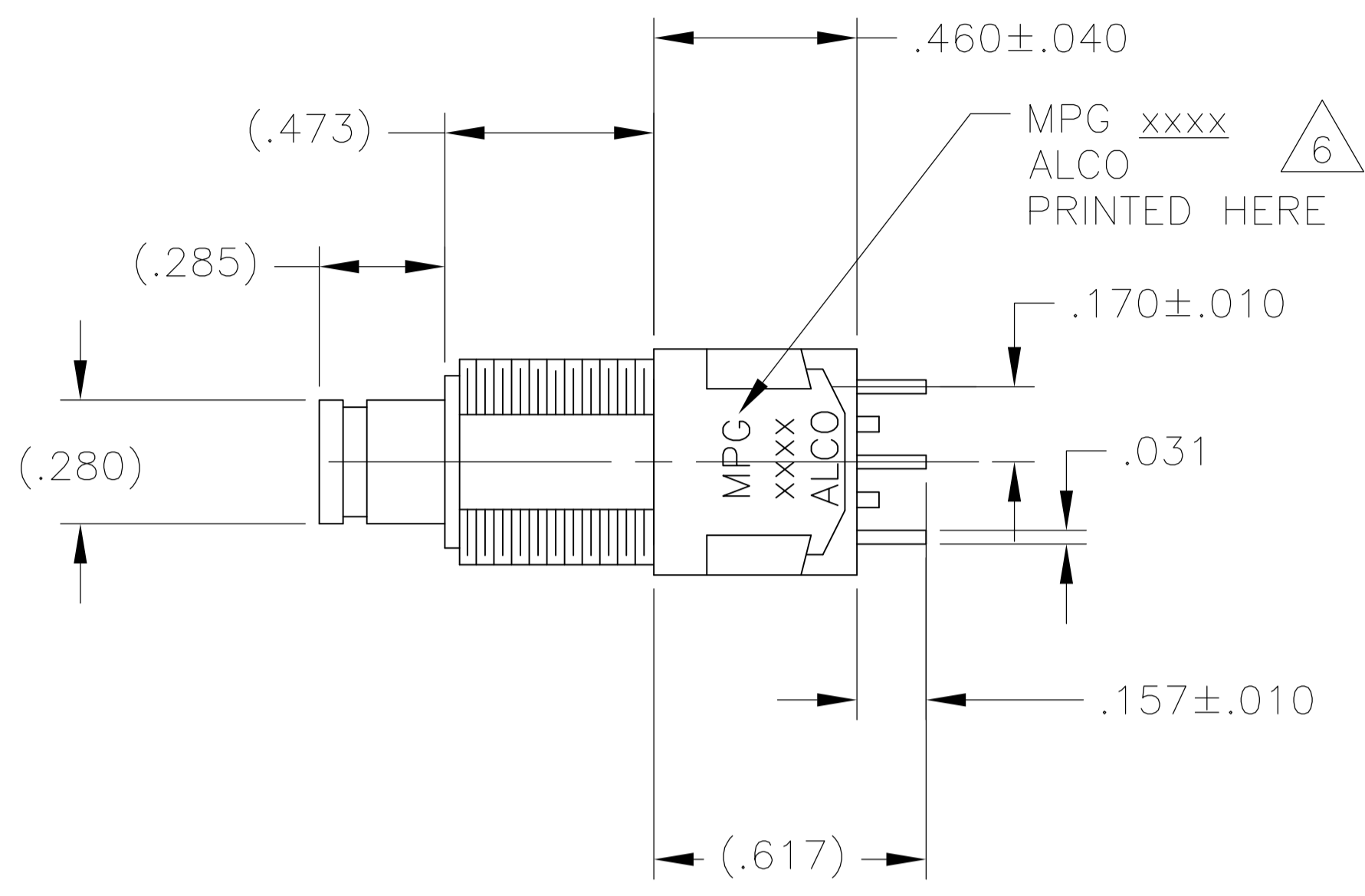
5 WIRE LUG CONTACTS WILL ACCEPT 2 #20 AWG SOLID OR STRANDED WIRES.  
6 MARK SWITCH

7. ALL MATERIALS AND FINISHES SHALL COMPLY WITH EU DIRECTIVE 2002/95/EC OF 27JAN2003 (ROHS).  
8 BLACK CAP INCLUDED WITH EACH SWITCH IF DIFFERENT COLOR REQUIRED ORDER SEPARATELY DRAWING NUMBER 7-1437627-1

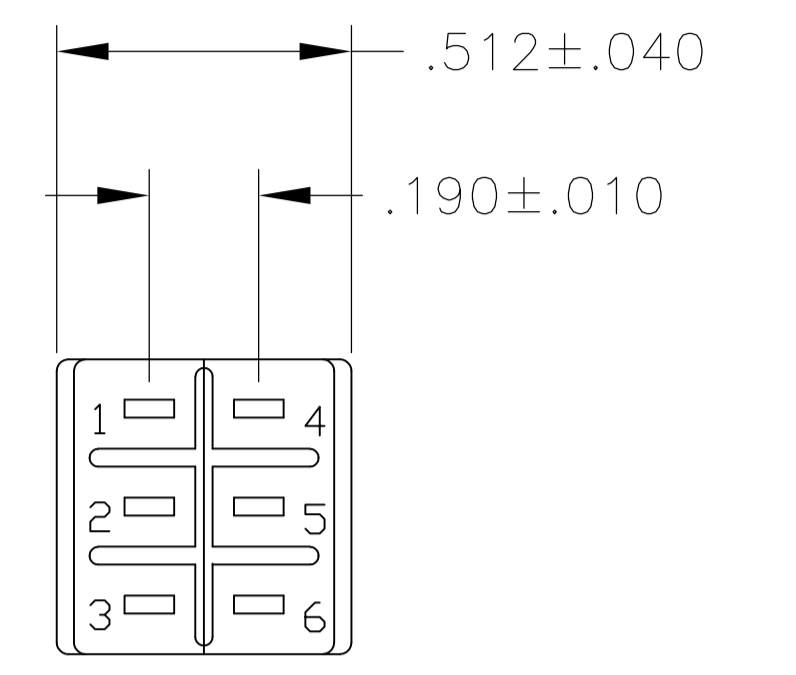
THIS DRAWING IS A CONTROLLED DOCUMENT.

|                    |  |                       |                       |   |
|--------------------|--|-----------------------|-----------------------|---|
| DIMENSIONS: INCHES | TOLERANCES UNLESS OTHERWISE SPECIFIED: | DIN M. BINNER 02MAR09 | APVD M. ZITTO 15NOV04 | NAME ALCO SWITCH GREEN SERIES PUSHBUTTON SWITCH, MPG SERIES |
| 0. PLC ± .01       | 1. PLC ± .01                           | SIZE A1               | CAGE CODE 00779       | DRAWING NO. 4-1437567-9                                     |
| 2. PLC ± .01       | 3. PLC ± .01                           | WEIGHT                | SCALE 3:1             | SHEET 1 OF 3  |
| 4. PLC ± .01       | ANGLES ± .1                            | CUSTOMER DRAWING      | REV C2                |   |

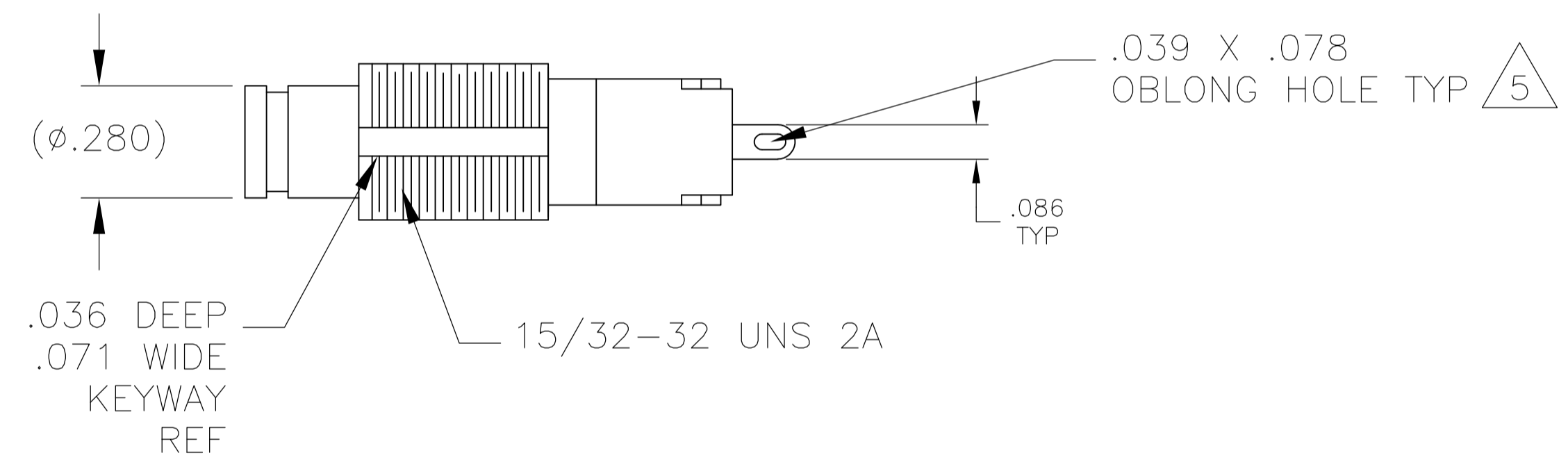
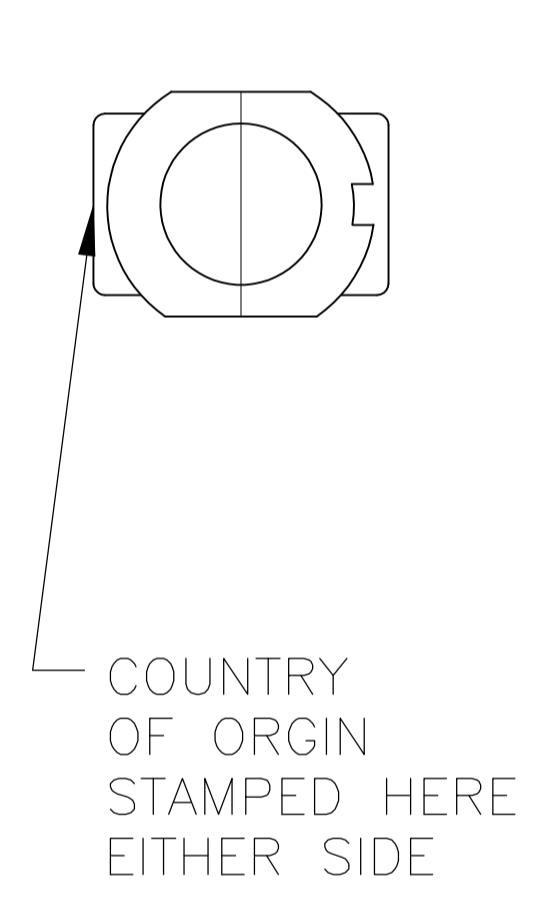
| LOC |     | DIST        |      | REVISIONS |      |   |   |
|-----|-----|-------------|------|-----------|------|---|---|
| P   | LTR | DESCRIPTION | DATE | DN        | APVD |   |   |
| -   | -   | SEE SHEET 1 | -    | -         | -    | - | - |



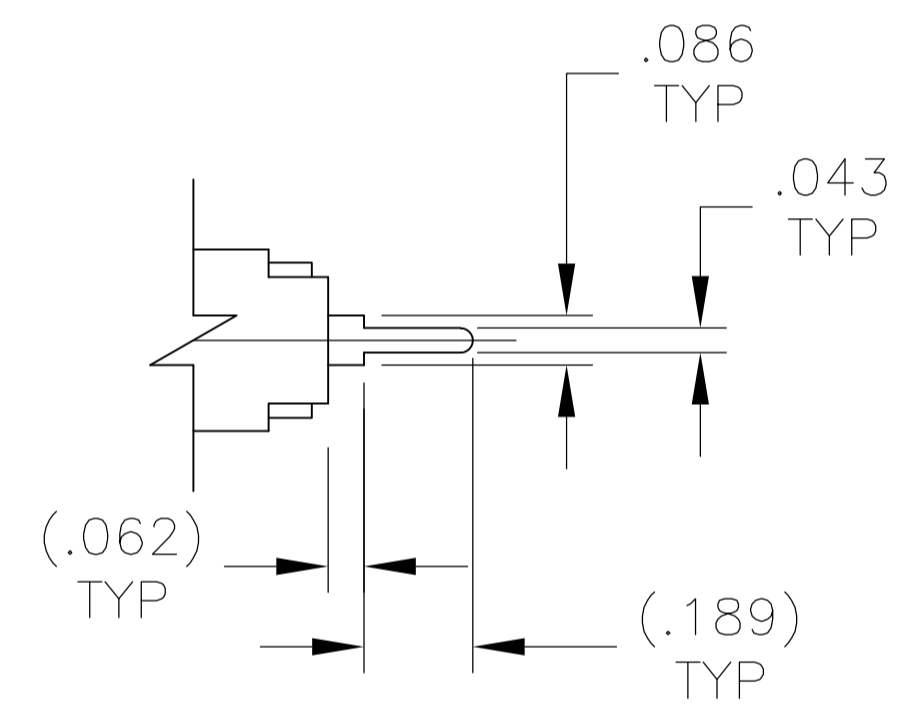
MPG-106



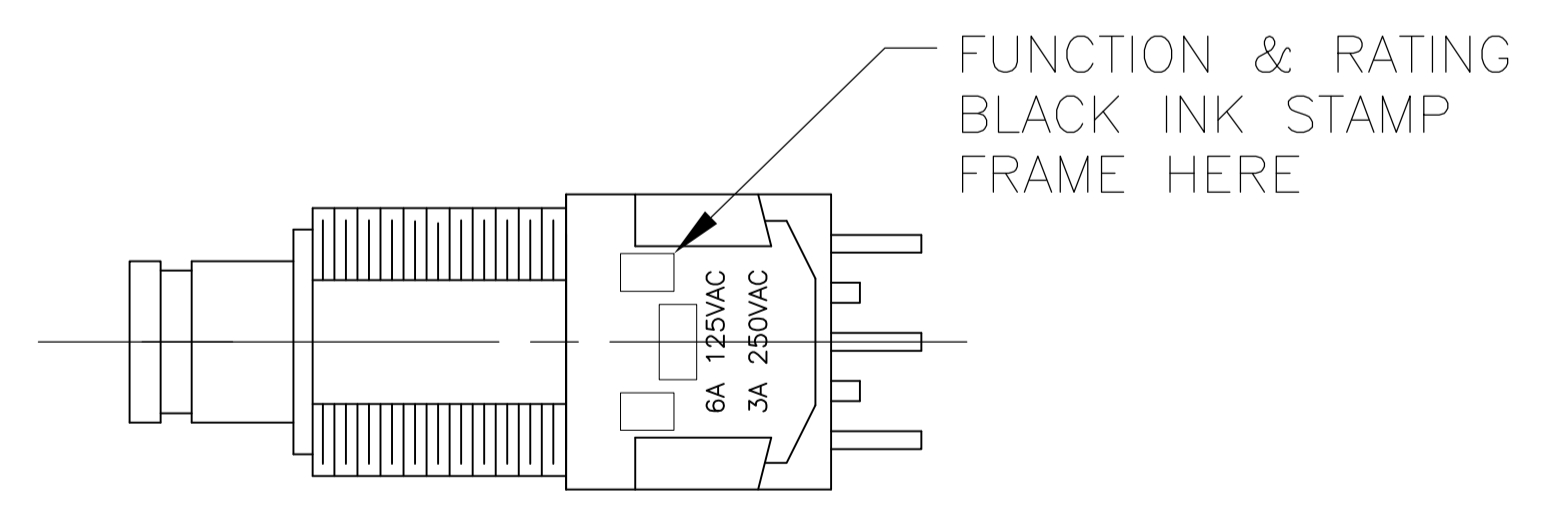
MPG-206



WIRE LUG TERMINAL



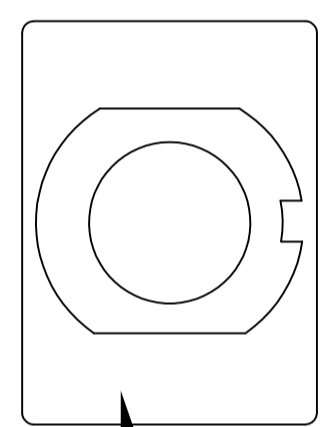
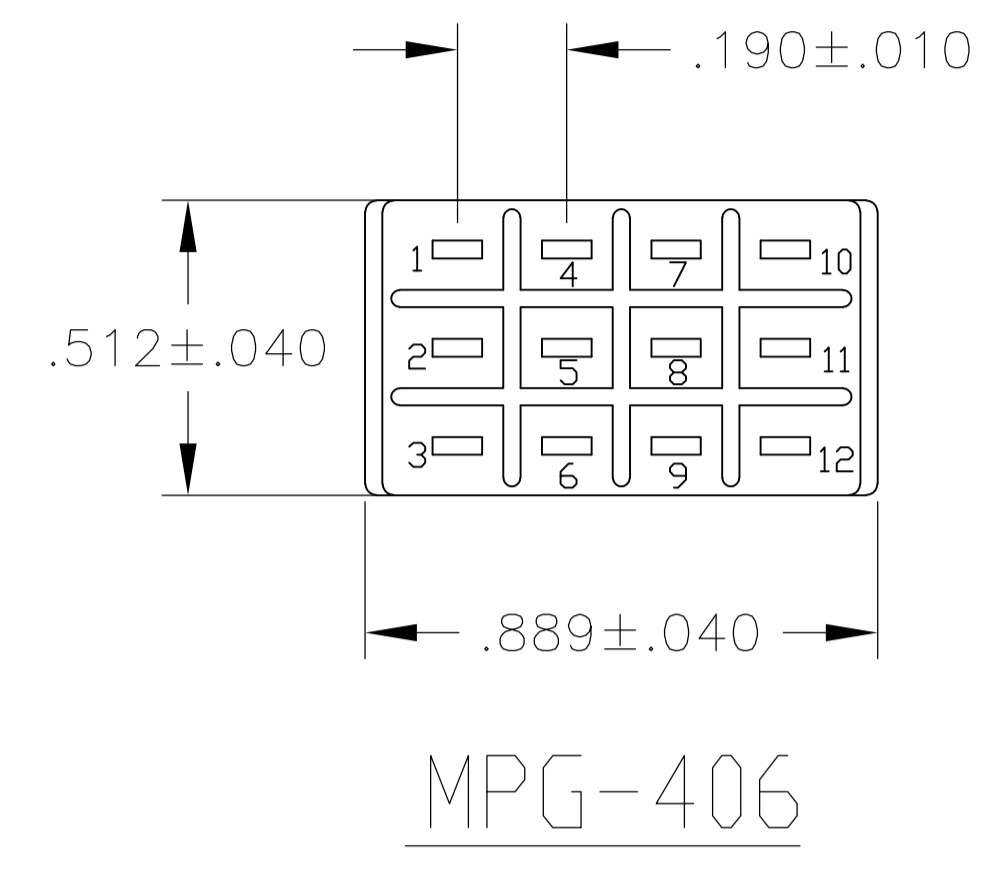
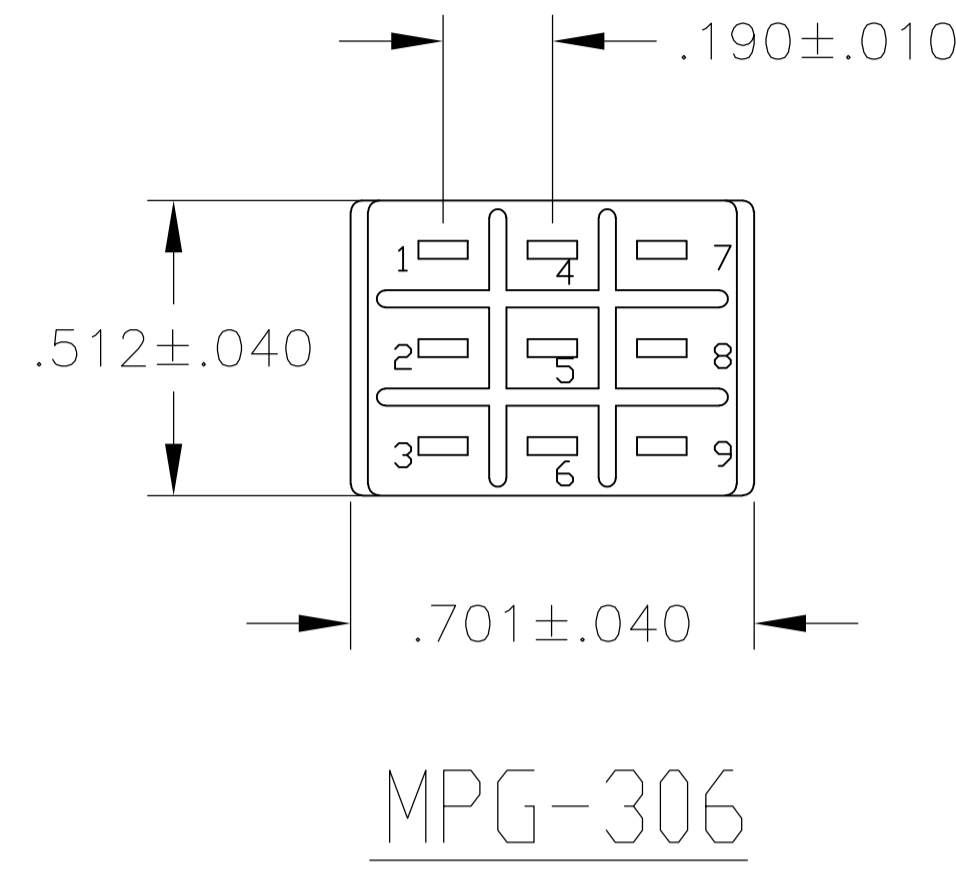
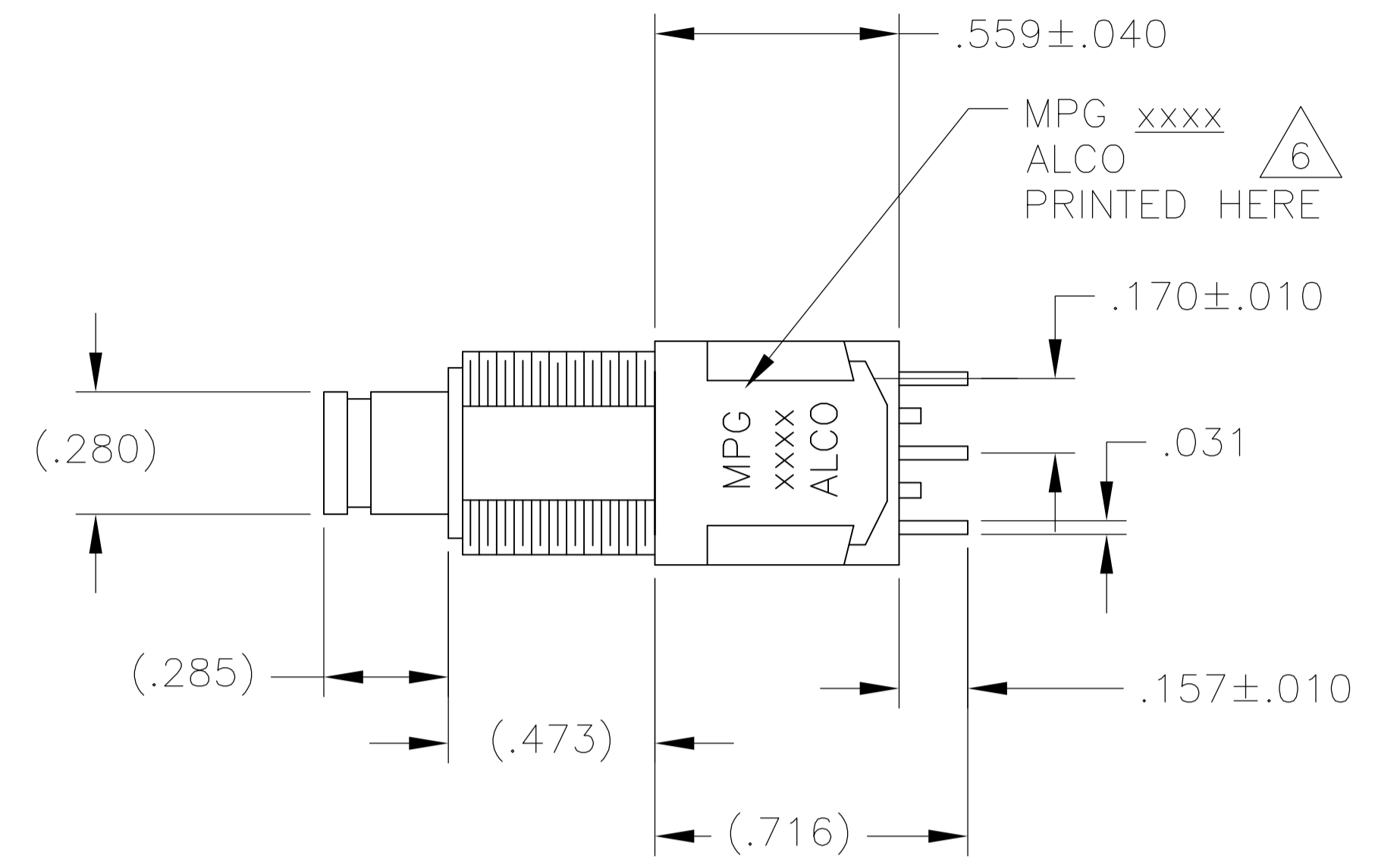
PC TERMINAL



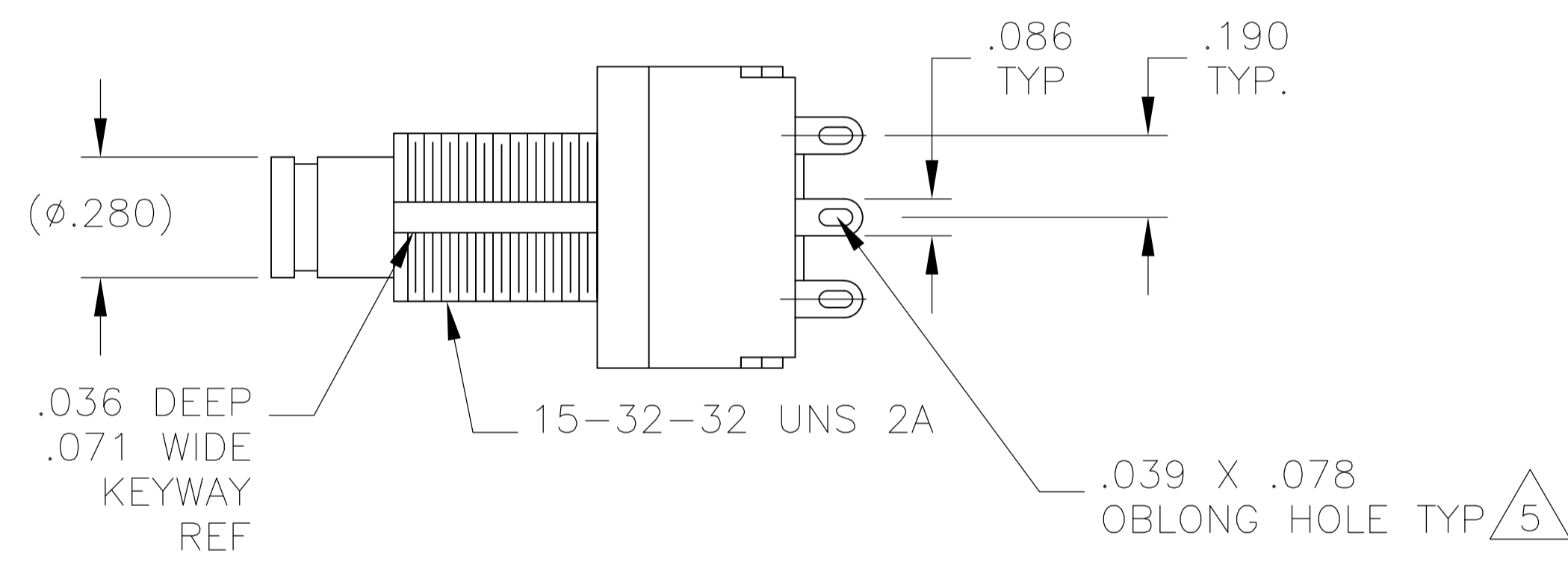
|  |  |                       |   |  |
|--|--|-----------------------|---|--|
| THIS DRAWING IS A CONTROLLED DOCUMENT. |  | DIN M. BINNER 02MAR09 | TE Connectivity                                       |  |
| DIMENSIONS: INCHES                     |  | CHK M. ZITTO 15NOV04  |   |  |
| TOLERANCES UNLESS OTHERWISE SPECIFIED: |  | NAME M. ZITTO 15NOV04 | ALCOSWITCH GREEN SERIES PUSHBUTTON SWITCH, MPG SERIES |  |
| 0. PLC ± -                             |  | PRODUCT SPEC          |   |  |
| 1. PLC ± -                             |  | APPLICATION SPEC      |   |  |
| 2. PLC ± -                             |  | SIZE                  | A1  |  |
| 3. PLC ± .012                          |  | WEIGHT                | 00779   |  |
| 4. PLC ± -                             |  | CUSTOMER DRAWING      | 4-1437567-9   |  |
| ANGLES ± -                             |  | SCALE                 | 3:1   |  |
| FINISH                                 |  | SHEET                 | 2 OF 3  |  |
|  |  | REV                   | C2  |  |



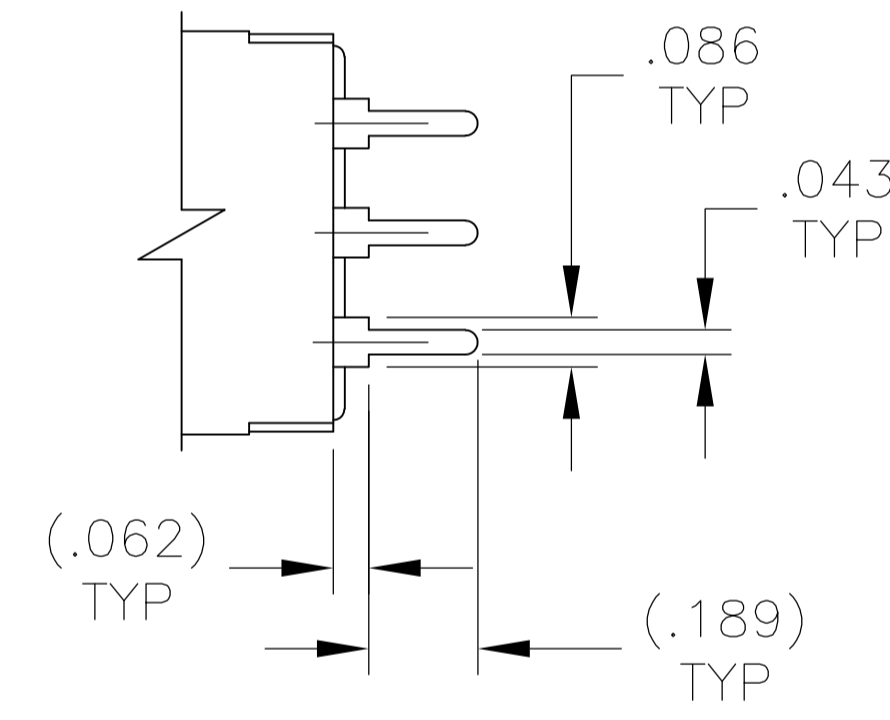
| LOC |     | DIST        |      | REVISIONS |      |   |   |
|-----|-----|-------------|------|-----------|------|---|---|
| P   | LTR | DESCRIPTION | DATE | DN        | APVD |   |   |
| -   | -   | SEE SHEET 1 | -    | -         | -    | - | - |



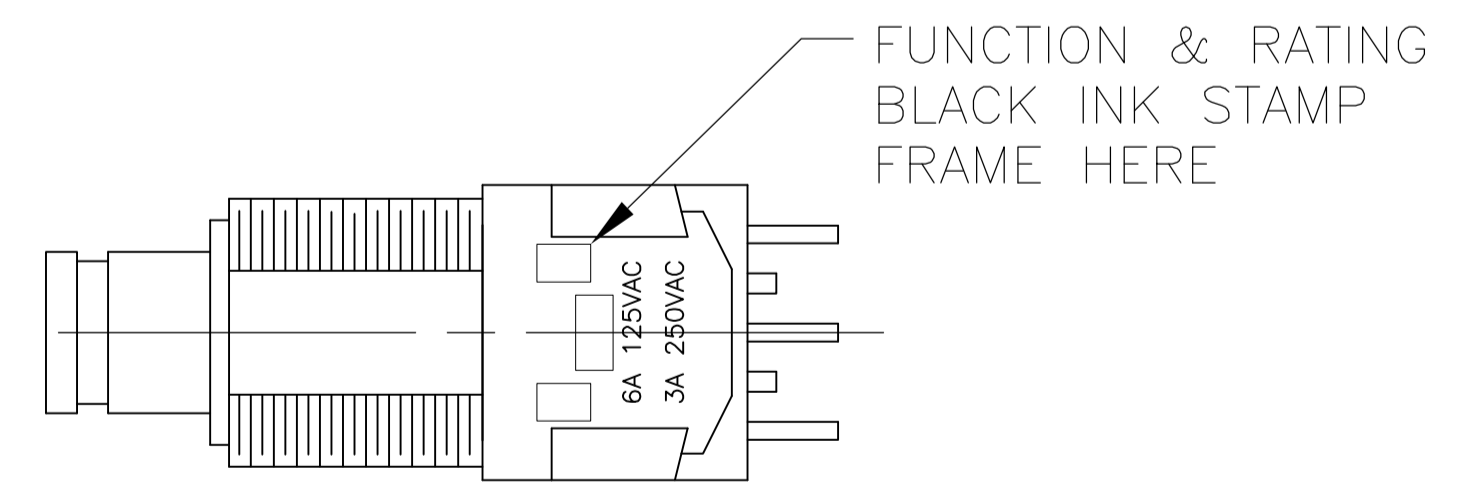
COUNTRY OF ORIGIN STAMPED HERE EITHER SIDE



WIRE LUG TERMINAL



PC TERMINAL



|  |        |                             |   |  |
|--|--------|-----------------------------|---|--|
| THIS DRAWING IS A CONTROLLED DOCUMENT. |        | DIN<br>M. BINNER<br>02MAR09 | TE Connectivity                                       |  |
| DIMENSIONS: INCHES                     |        | CHK<br>M. ZITTO<br>15NOV04  |   |  |
| TOLERANCES UNLESS OTHERWISE SPECIFIED: |        | NAME<br>M. ZITTO<br>15NOV04 | ALCOSWITCH GREEN SERIES PUSHBUTTON SWITCH, MPG SERIES |  |
| 0. PLC                                 | ± .01  | PRODUCT SPEC                | APPLICATION SPEC                                      |  |
| 1. PLC                                 | ± .01  | SIZE                        | CAGE CODE DRAWING NO                                  |  |
| 2. PLC                                 | ± .01  | WEIGHT                      | RESTRICTED TO   |  |
| 3. PLC                                 | ± .012 | A1 00779 C=4-1437567-9      |   |  |
| 4. PLC                                 | ± .01  | CUSTOMER DRAWING            |   |  |
| ANGLES                                 | ± .01  | SCALE                       | 3:1   |  |
| FINISH                                 | -      | SHEET                       | 3 OF 3  |  |
|  |        | REV                         | C2  |  |