



Chipsmall Limited consists of a professional team with an average of over 10 year of expertise in the distribution of electronic components. Based in Hongkong, we have already established firm and mutual-benefit business relationships with customers from,Europe,America and south Asia,supplying obsolete and hard-to-find components to meet their specific needs.

With the principle of “Quality Parts,Customers Priority,Honest Operation,and Considerate Service”,our business mainly focus on the distribution of electronic components. Line cards we deal with include Microchip,ALPS,ROHM,Xilinx,Pulse,ON,Everlight and Freescale. Main products comprise IC,Modules,Potentiometer,IC Socket,Relay,Connector.Our parts cover such applications as commercial,industrial, and automotives areas.

We are looking forward to setting up business relationship with you and hope to provide you with the best service and solution. Let us make a better world for our industry!



Contact us

Tel: +86-755-8981 8866 Fax: +86-755-8427 6832

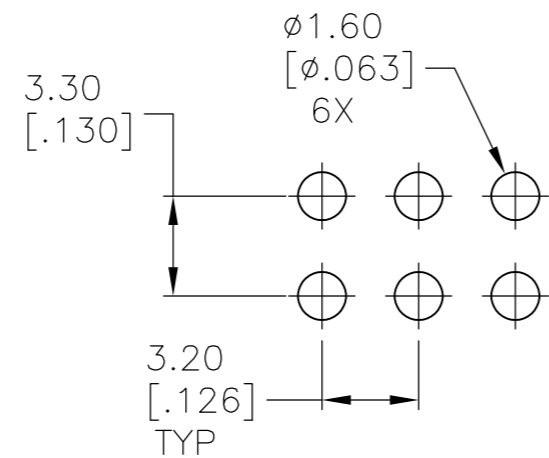
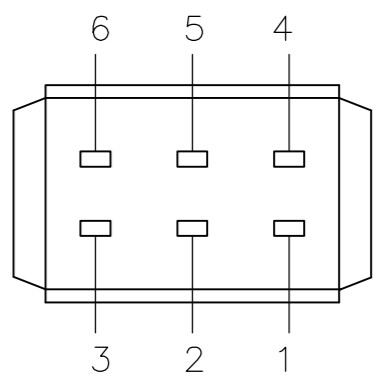
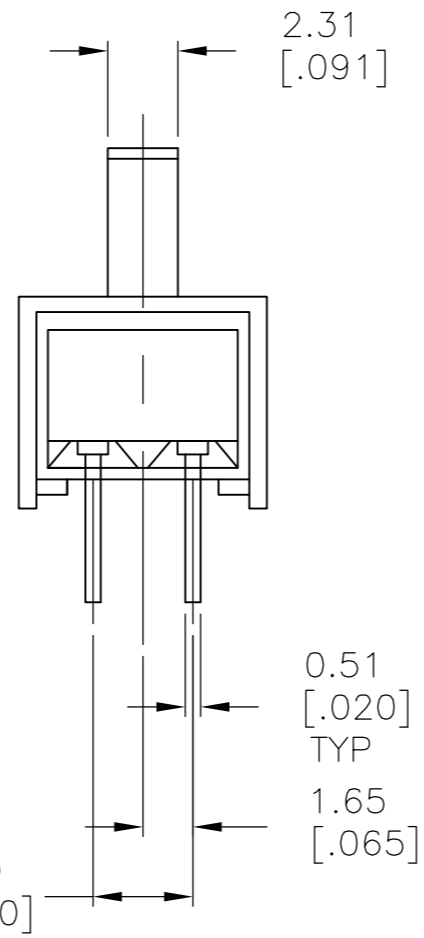
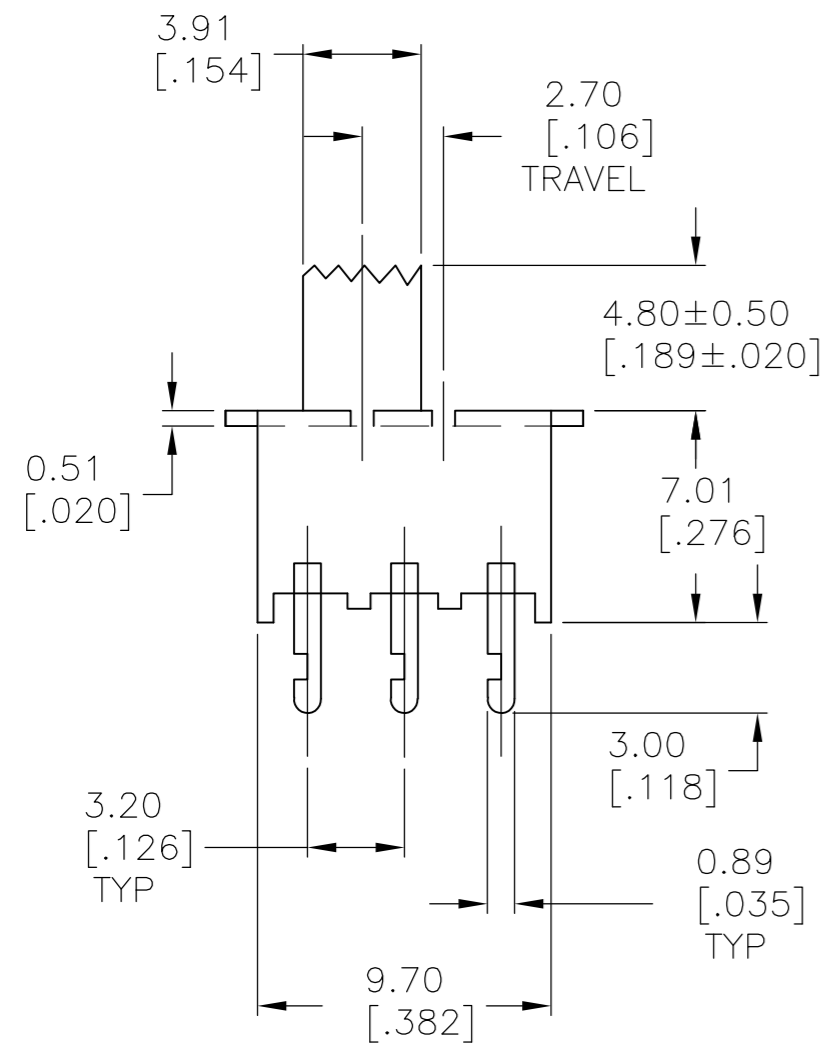
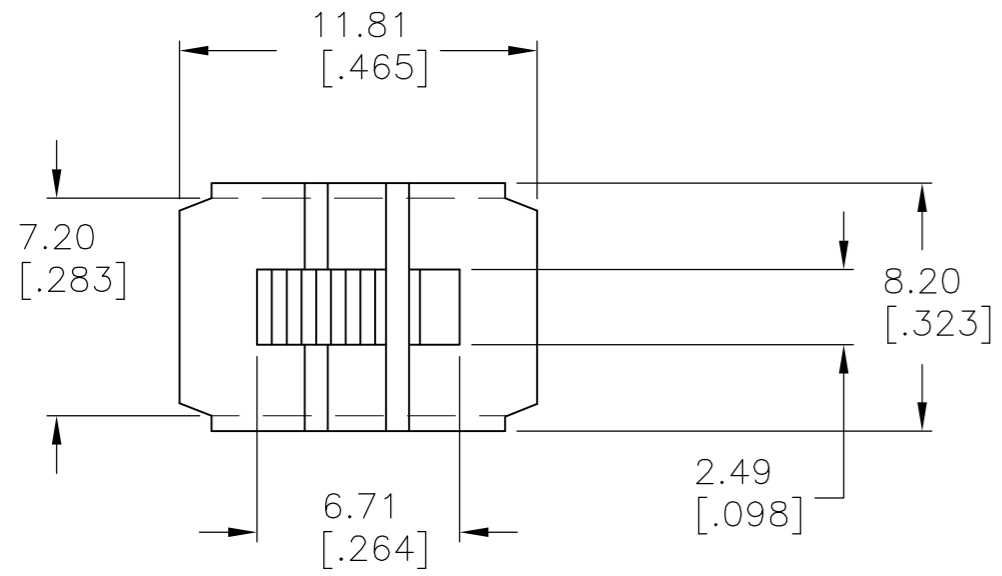
Email & Skype: info@chipsmall.com Web: www.chipsmall.com

Address: A1208, Overseas Decoration Building, #122 Zhenhua RD., Futian, Shenzhen, China



THIS DRAWING IS UNPUBLISHED. RELEASED FOR PUBLICATION
 © COPYRIGHT BY TYCO ELECTRONICS CORPORATION. ALL RIGHTS RESERVED.

LOC		DIST		REVISIONS			
P	LTR	DESCRIPTION	DATE	DWN	APVD		
	C	ECO 07-016003	16OCT07	MB	MS		



RECOMENDED HOLE LAYOUT
 TOLERANCE ±.002 UNLESS OTHERWISE NOTED

SPECIFICATIONS:
 BREAK-BEFORE-MAKE

MATERIALS:
 FRAME-STEEL, ZINC PLATE
 ACTUATOR-PBT G30, BLACK
 FIXED CONTACT/TERMINAL-COPPER ALLOY, SILVER OVER NICKEL PLATE
 MOVING CONTACT-COPPER ALLOY, SILVER OVER NICKEL PLATE
 COIL SPRING-STEEL WIRE
 LEAF SPRING-COPPER ALLOY
 TERMINAL BOARD-PHENOLIC, UL94HB

ELECTRICAL:
 CONTACT RATING- 500 MILLIAMPS@125V AC
 CONTACT RESISTANCE- 30 MILLIOHMS MAX (INITIAL), 60 MILLIOHMS AFTER TEST
 INSULATION RESISTANCE- 500 MEGOHMS MIN AT SEA LEVEL
 DIELECTRIC STRENGTH- 500 VAC RMS AT SEA LEVEL
 LIFE EXPECTANCY- 10,000 CYCLES MIN, NO LOAD & 6,000 MIN AT RATED CURRENT

MECHANICAL:
 ACTUATION FORCE- 350±200 GRAMS
 TRAVEL- 2.70[.106]

ENVIRONMENTAL:
 OPERATING TEMPERATURE- -20°C TO +85°C
 STORAGE TEMPERATURE- -40°C TO +100°C
 RESISTANCE TO SOLDER HEAT- 260°C FOR 10 SEC PER 109-202, CONDITION B
 SOLDERABILITY- PER EIA-364-56A, PROCEDURE 3, CONDITION B

1. ALL MATERIALS AND FINISHES SHALL COMPLY WITH EU DIRECTIVE 2002/95/EC OF 27JAN2003 (ROHS)
2. ALL PERFORMANCE SPECIFICATIONS WERE TESTED IN ACCORDANCE WITH JIS-C-5441 UNLESS OTHERWISE STATED.

1-2 4-5	2-3 5-6	SLS220104	1825079-1
LEFT	RIGHT	ALCO PART NUMBER	PART NUMBER
ACTUATOR POSITION			

THIS DRAWING IS A CONTROLLED DOCUMENT.		DWN BS VISWESWARA	01MAR05	Tyco Electronics Corporation Harrisburg, Pa 17105-3608	
DIMENSIONS: mm [INCHES]		CHK MS SARVER		NAME	
TOLERANCES UNLESS OTHERWISE SPECIFIED:		APVD		PRODUCT SPEC	
0 PLC ± -				APPLICATION SPEC	
1 PLC ± -				WEIGHT	
2 PLC ± 0.50[.020]				SCALE	
3 PLC ± -				SHEET	
4 PLC ± -				OF	
ANGLES ± -				1	
FINISH				REV	
MATERIAL				C	
				CUSTOMER DRAWING	
				SCALE 4:1	
				SHEET 1 OF 1	
				REV C	

1825079

A