



Chipsmall Limited consists of a professional team with an average of over 10 year of expertise in the distribution of electronic components. Based in Hongkong, we have already established firm and mutual-benefit business relationships with customers from,Europe,America and south Asia,supplying obsolete and hard-to-find components to meet their specific needs.

With the principle of “Quality Parts,Customers Priority,Honest Operation,and Considerate Service”,our business mainly focus on the distribution of electronic components. Line cards we deal with include Microchip,ALPS,ROHM,Xilinx,Pulse,ON,Everlight and Freescale. Main products comprise IC,Modules,Potentiometer,IC Socket,Relay,Connector.Our parts cover such applications as commercial,industrial, and automotives areas.

We are looking forward to setting up business relationship with you and hope to provide you with the best service and solution. Let us make a better world for our industry!



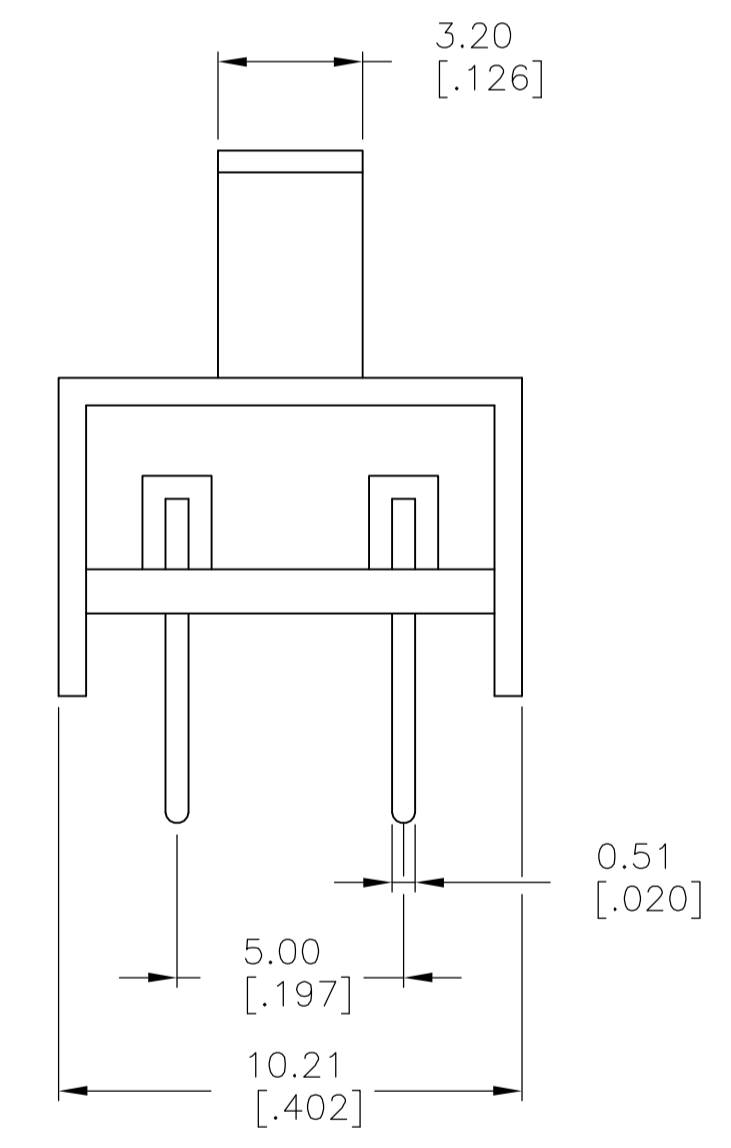
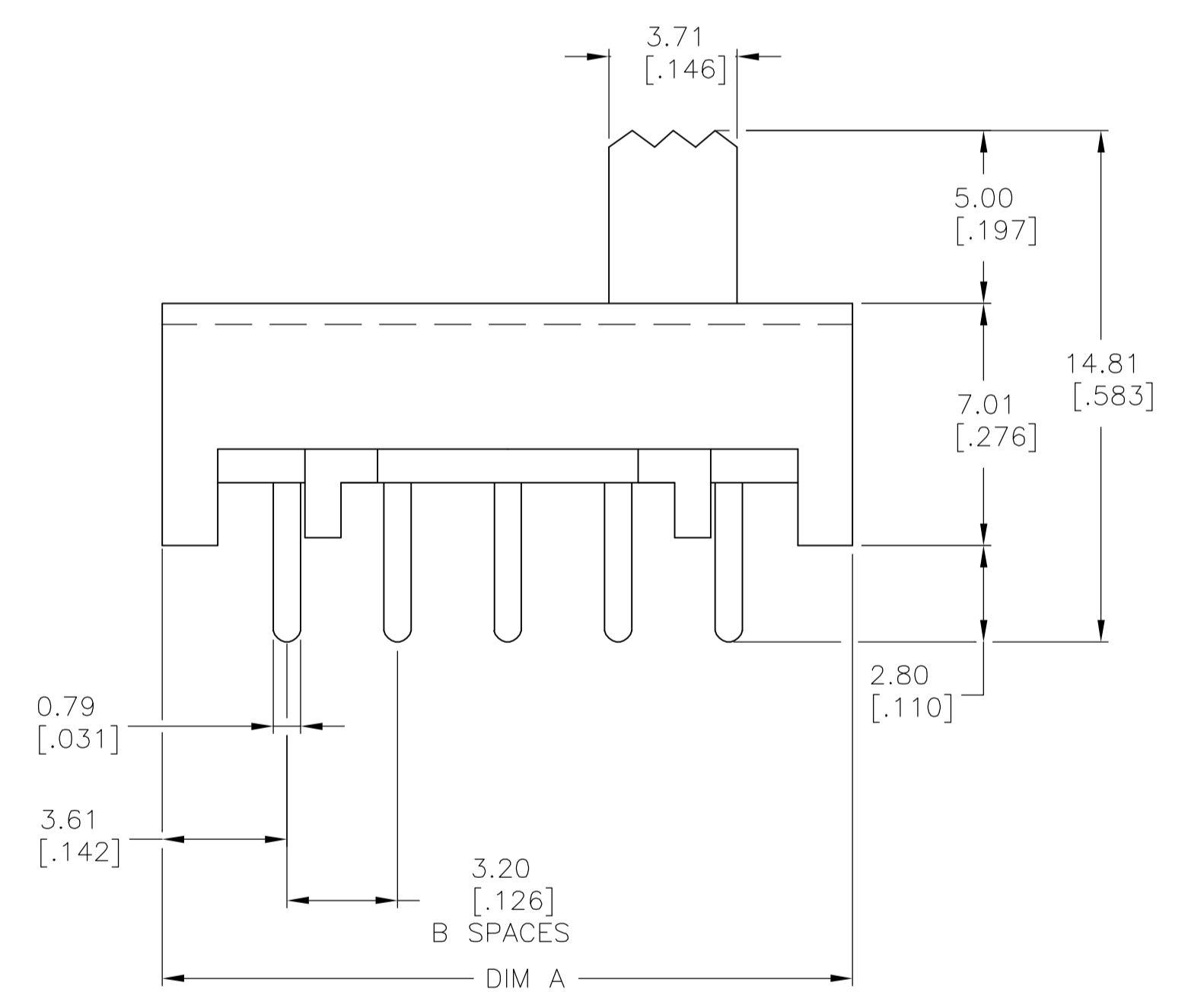
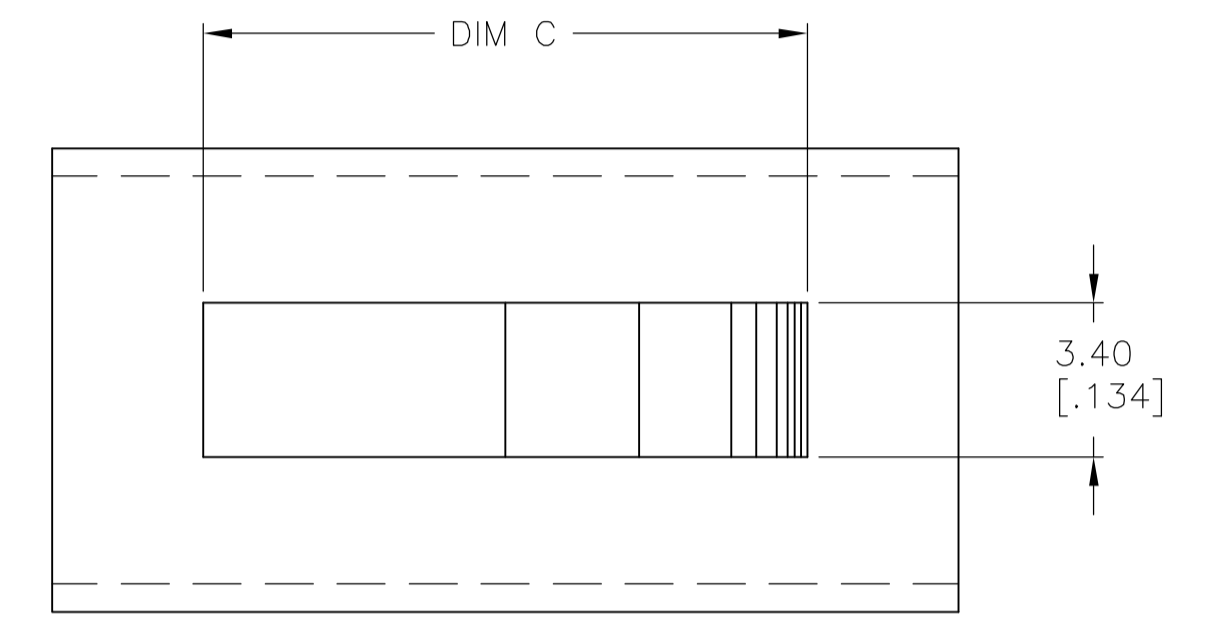
Contact us

Tel: +86-755-8981 8866 Fax: +86-755-8427 6832

Email & Skype: info@chipsmall.com Web: www.chipsmall.com

Address: A1208, Overseas Decoration Building, #122 Zhenhua RD., Futian, Shenzhen, China





SPECIFICATIONS:

BREAK-BEFORE-MAKE

MATERIALS:

FRAME: STEEL, ZINC PLATE
 ACTUATOR: PBT UL94HB, BLACK
 FIXED CONTACT/TERMINAL: COPPER ALLOY, SILVER OVER NICKEL PLATE
 MOVING CONTACT: COPPER ALLOY, SILVER CLAD
 TERMINAL BOARD: PHENOLIC, UL94HB

ELECTRICAL:

CONTACT RATING: 250 MILLIAMPS@125V AC, 150 MILLIAMPS@12V DC
 CONTACT RESISTANCE: 30 MILLIOHMS MAX (INITIAL), 60 MILLIOHMS AFTER TEST
 INSULATION RESISTANCE: 500 MEGOHMS MIN
 DIELECTRIC STRENGTH: 500 VOLTS RMS AT SEA LEVEL
 LIFE EXPECTANCY: 10,000 CYCLES MIN. NO LOAD, 6,000 AT RATED CURRENT

MECHANICAL:

ACTUATION FORCE: 250 +150/-100 GRAMS
 TRAVEL: .126 (3.20)

ENVIRONMENTAL:

OPERATING TEMPERATURE: -10°C TO +60°C
 STORAGE TEMPERATURE: -10°C TO +60°C
 RESISTANCE TO SOLDER HEAT: 260°C FOR 10 SEC PER 109-202, CONDITION B
 SOLDERABILITY PER EIA-364-56A, PROCEDURE 3, CONDITION B

NOTES:

- ALL MATERIALS AND FINISHES SHALL COMPLY WITH EU DIRECTIVE 2002/95/EC OF 27 JAN 2003 (ROHS)
- FOR FUNCTION DIAGRAM SEE SHEET 2 OF 2
- ALL PERFORMANCE SPECIFICATIONS WERE TESTED IN ACCORDANCE WITH JIS-C-5441 UNLESS OTHERWISE STATED.

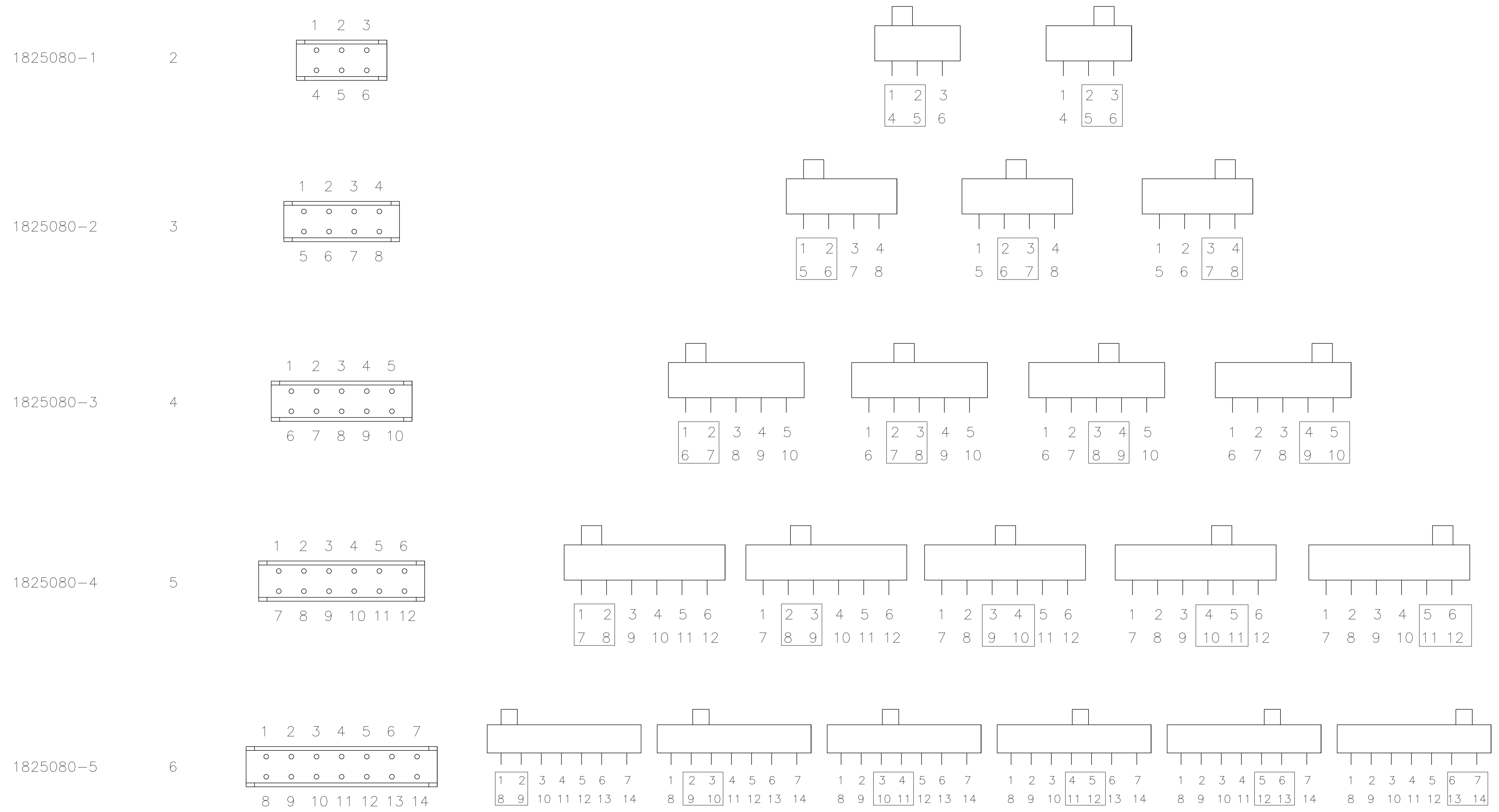
.776 [19.71]	6 SPACES	1.039 [26.39]	6	SLS260PC04	1825080-5
.650 [16.51]	5 SPACES	.913 [23.19]	5	SLS250PC04	1825080-4
.524 [13.31]	4 SPACES	.787 [19.99]	4	SLS240PC04	1825080-3
.398 [10.11]	3 SPACES	.661 [16.79]	3	SLS230PC04	1825080-2
.272 [6.91]	2 SPACES	.535 [13.59]	2	SLS220PC04	1825080-1
DIM C	DIM B	DIM A	POSITION	ALCO PART NUMBER	TYCO PART NUMBER

THIS DRAWING IS A CONTROLLED DOCUMENT.

DIMENSIONS: mm [INCHES]	TOLERANCES UNLESS OTHERWISE SPECIFIED:	0 PLC ± -	1 PLC ± -	2 PLC ± -	3 PLC ± 0.10 [0.25]	4 PLC ± -	ANGLES ± -	FINISH -
----------------------------	--	-----------	-----------	-----------	---------------------	-----------	------------	----------

THIS DRAWING IS A CONTROLLED DOCUMENT. **DIN** B.S.VISWESWARA 02MAR05 **tyco** Tyco Electronics Corporation
CHK M.S.SARVER **APVD** M.S.SARVER **NAME** Harrisburg, Pa 17105-3608
PRODUCT SPEC SLIDE SWITCH, SLS***PC04 SERIES, 2 TO 6 POSITION
APPLICATION SPEC -
SIZE A1 **CAGE CODE** 00779 **DRAWING NO** 1825080 **RESTRICTED TO** -
WEIGHT - **CUSTOMER DRAWING** **SCALE** 6:1 **SHEET** 1 OF 2 **REV** B

PART NUMBER POSITION BOTTOM VIEW FUNCTION DIAGRAM - INDICATES TERMINALS CONNECTED



THIS DRAWING IS A CONTROLLED DOCUMENT.		DIN	B.S.VISWESWARA	02MAR05	tyco Electronics	Tyco Electronics Corporation Harrisburg, Pa 17105-3608	
DIMENSIONS: mm [INCHES]		CHK	M.S.SARVER	APVD		NAME	SEE 2 TO 6 POSITION
TOLERANCES UNLESS OTHERWISE SPECIFIED:		0 PLC ± -		PRODUCT SPEC		SIZE	
1 PLC ± -		2 PLC ± -		APPLICATION SPEC		CAGE CODE	
3 PLC ± 0.10 (0.25)		4 PLC ± -		WEIGHT		DRAWING NO	
ANGLES		FINISH		CUSTOMER DRAWING		RESTRICTED TO	
MATERIAL SEE SPECIFICATIONS		SCALE		SHEET		REV	
		1:1		2 OF 2		A1 00779 ©=1825080	