



Chipsmall Limited consists of a professional team with an average of over 10 year of expertise in the distribution of electronic components. Based in Hongkong, we have already established firm and mutual-benefit business relationships with customers from,Europe,America and south Asia,supplying obsolete and hard-to-find components to meet their specific needs.

With the principle of “Quality Parts,Customers Priority,Honest Operation,and Considerate Service”,our business mainly focus on the distribution of electronic components. Line cards we deal with include Microchip,ALPS,ROHM,Xilinx,Pulse,ON,Everlight and Freescale. Main products comprise IC,Modules,Potentiometer,IC Socket,Relay,Connector.Our parts cover such applications as commercial,industrial, and automotives areas.

We are looking forward to setting up business relationship with you and hope to provide you with the best service and solution. Let us make a better world for our industry!



Contact us

Tel: +86-755-8981 8866 Fax: +86-755-8427 6832

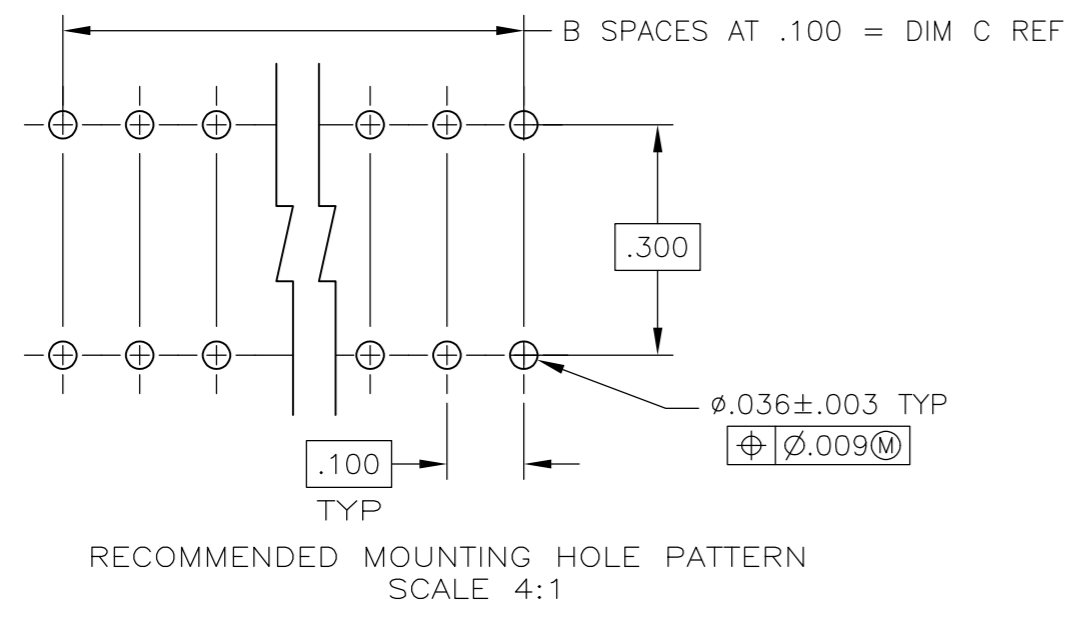
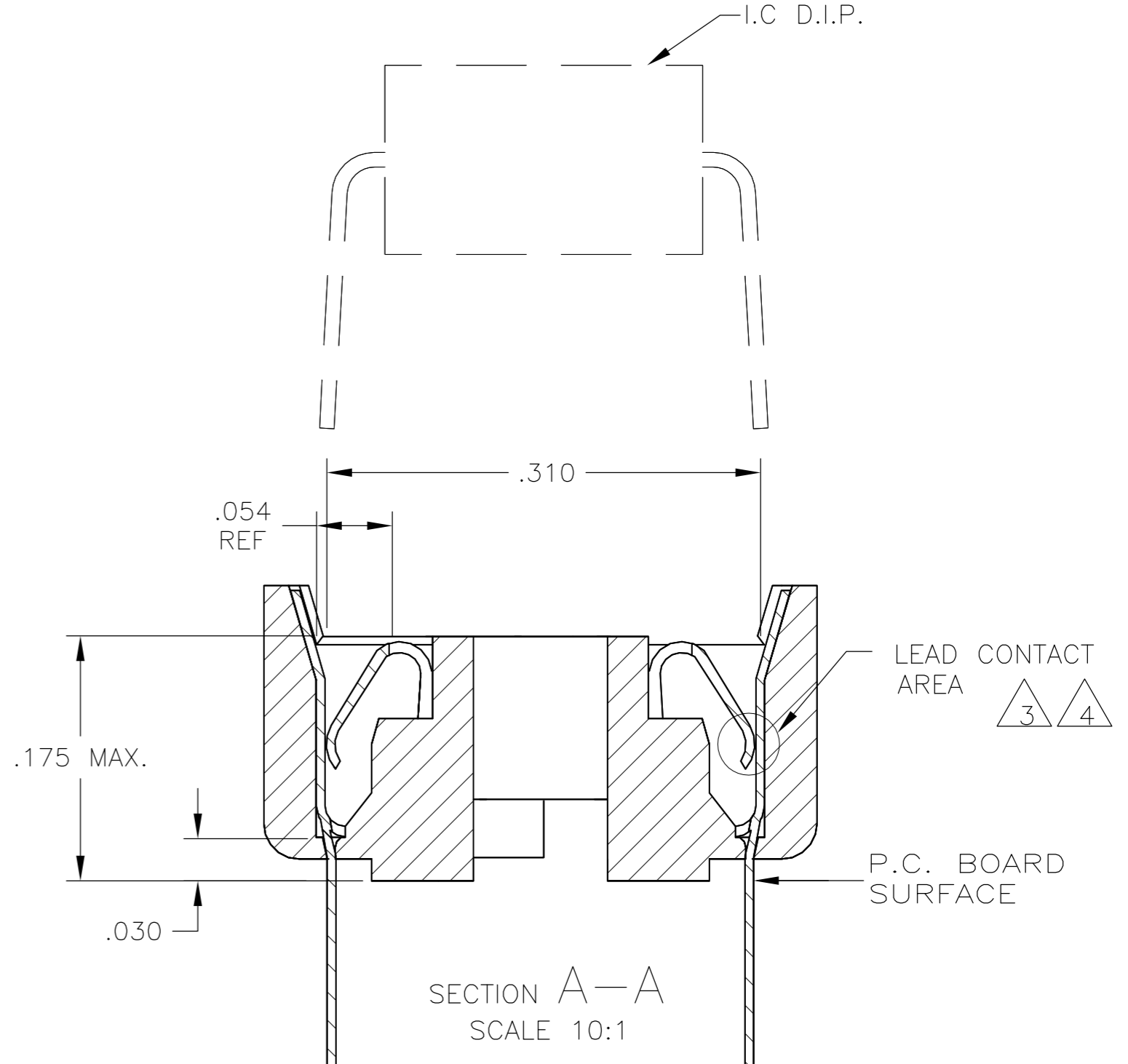
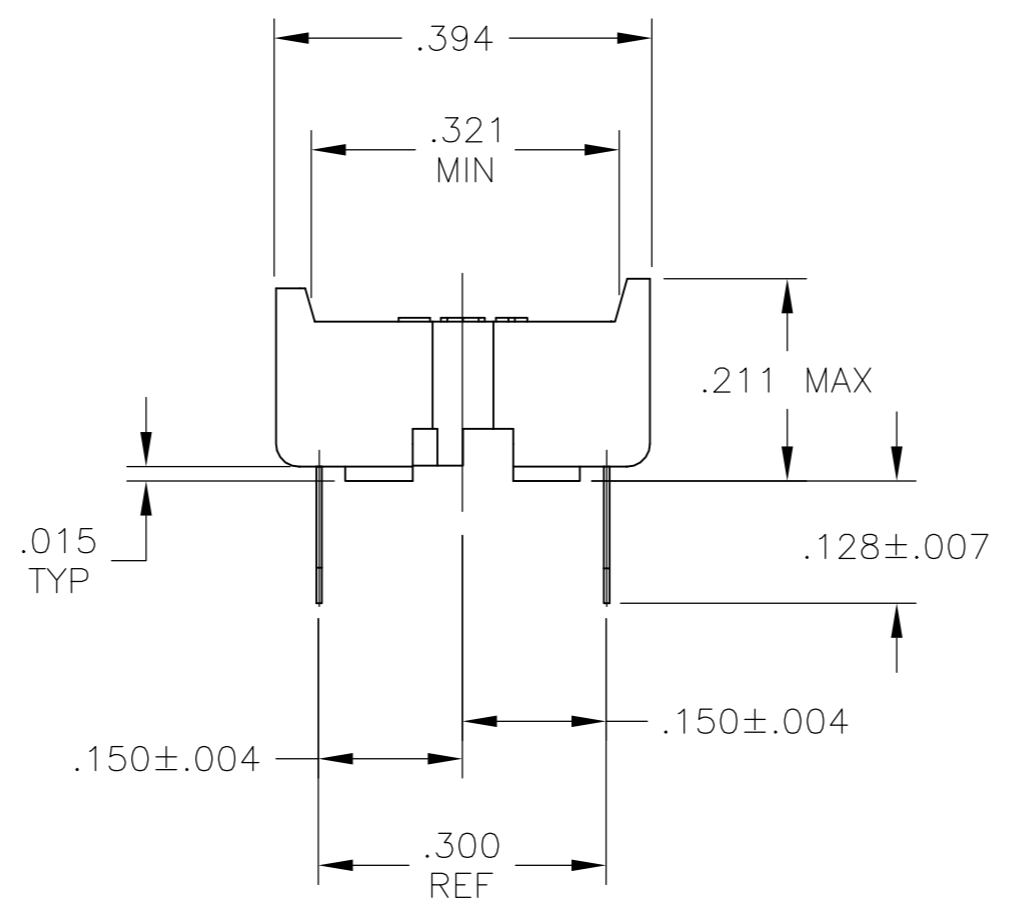
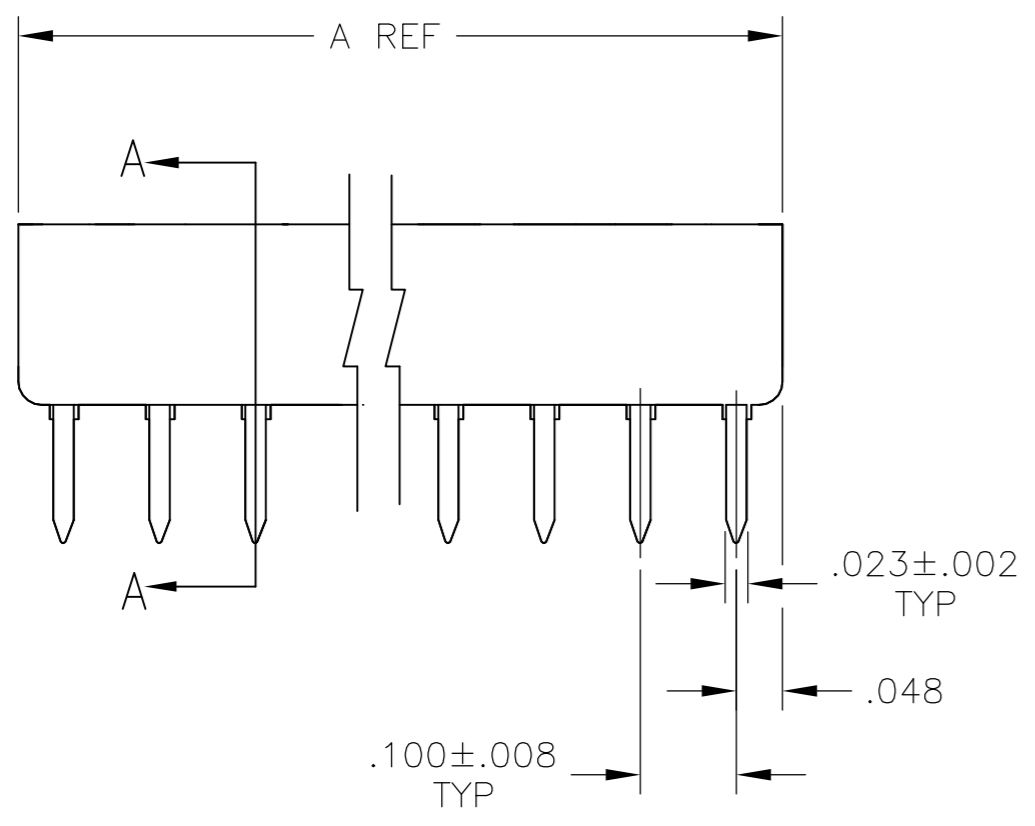
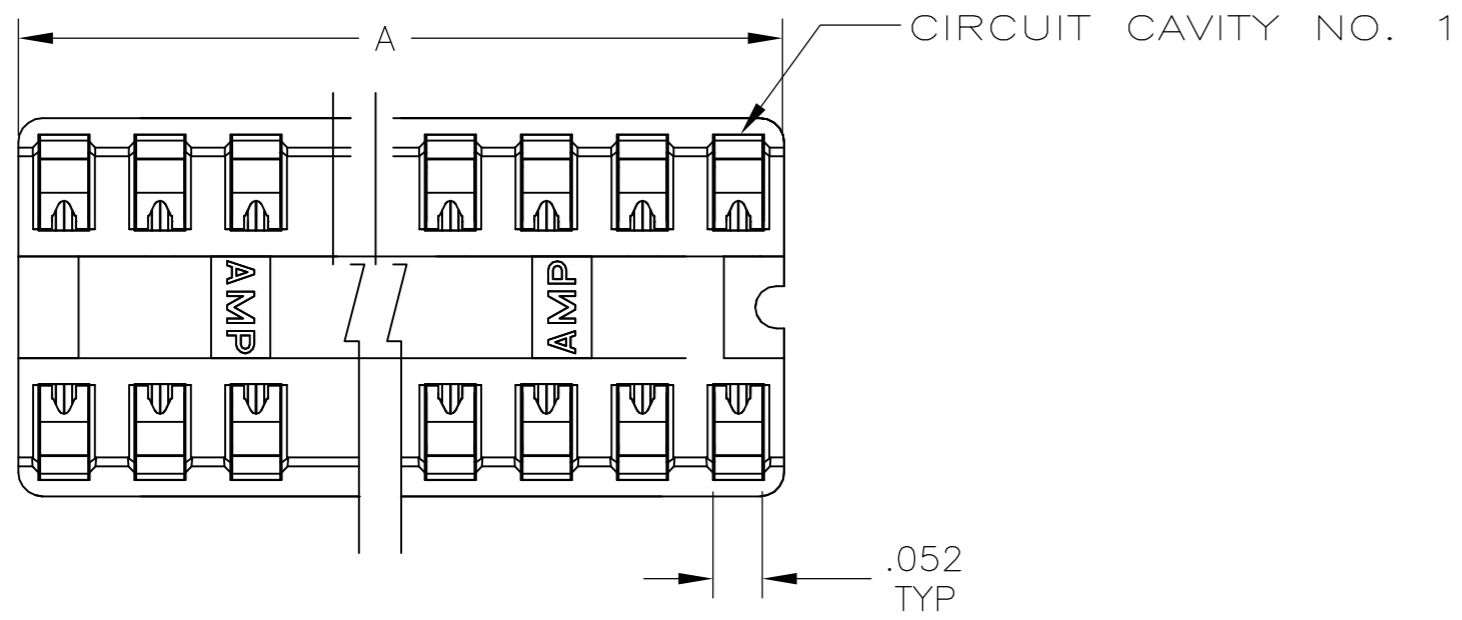
Email & Skype: info@chipsmall.com Web: www.chipsmall.com

Address: A1208, Overseas Decoration Building, #122 Zhenhua RD., Futian, Shenzhen, China



THIS DRAWING IS UNPUBLISHED. RELEASED FOR PUBLICATION
 © COPYRIGHT - By - ALL RIGHTS RESERVED.

LOC		DIST		REVISIONS			
P	LTR	DESCRIPTION		DATE	DWN	APVD	
AD	00	B	ECR-13-018647	14MAR2014	W.W	C.W	



- 1 RECEPTACLE ACCEPTS A .008-.014 THICK I.C. LEAD.
- 2 TUBE LOADED FOR AUTOMATIC INSERTION.
- 3 BECU CONTACT - PLATED WITH TWO .000030 MIN THK. GOLD STRIPES IN CONTACT AREA WITH TIN ON CONTACT LEGS, BALANCE OF CONTACT NICKEL PLATED.
- 4 PHOS. BRZ CONTACT - PLATED WITH TWO .000015 MIN THK. GOLD STRIPES IN CONTACT AREA WITH TIN ON CONTACT LEGS, BALANCE OF CONTACT NICKEL PLATED.
- 5 GLASS FILLED THERMOPLASTIC, 94V-0, BLACK

CONTACT & FINISH	DIM. C	B	SPCS	DIM. A	POSITION	PART NO.
(B) OBSOLETE	3	1.100	11	1.195	24	1-1825094-7
(B) OBSOLETE	3	.900	9	.995	20	1-1825094-6
(B) OBSOLETE	3	.800	8	.895	18	1-1825094-5
(B) OBSOLETE	3	.700	7	.795	16	1-1825094-4
(B) OBSOLETE	3	.600	6	.695	14	1-1825094-3
(B) OBSOLETE	3	.300	3	.395	8	1-1825094-2
(B) OBSOLETE	3	.200	2	.295	6	1-1825094-1
(B) OBSOLETE	4	1.100	11	1.195	24	1825094-7
(B) OBSOLETE	4	.900	9	.995	20	1825094-6
(B) OBSOLETE	4	.800	8	.895	18	1825094-5
(B) OBSOLETE	4	.700	7	.795	16	1825094-4
(B) OBSOLETE	4	.600	6	.695	14	1825094-3
(B) OBSOLETE	4	.300	3	.395	8	1825094-2
(B) OBSOLETE	4	.200	2	.295	6	1825094-1

THIS DRAWING IS A CONTROLLED DOCUMENT.

DIMENSIONS: INCHES

TOLERANCES UNLESS OTHERWISE SPECIFIED:

0 PLC	±	-
1 PLC	±	-
2 PLC	±	-
3 PLC	±	.005
4 PLC	±	-
ANGLES	±	0°30'

MATERIAL: SEE TABLE

FINISH: SEE TABLE

DWN: B.S.VISWESWARA

CHK: K WRIGHT

APVD: -

PRODUCT SPEC: 108-1066

APPLICATION SPEC: 114-1049

WEIGHT: -

CUSTOMER DRAWING

TE Connectivity

DIP SOCKET ASSY, LADDER, DIPLOMATE, .300 CL, LEAD FREE

SIZE: A2

CAGE CODE: 00779

DRAWING NO: C=1825094

RESTRICTED TO: -

SCALE: 5:1

SHEET: 1 of 1

REV: B