



Chipsmall Limited consists of a professional team with an average of over 10 year of expertise in the distribution of electronic components. Based in Hongkong, we have already established firm and mutual-benefit business relationships with customers from,Europe,America and south Asia,supplying obsolete and hard-to-find components to meet their specific needs.

With the principle of “Quality Parts,Customers Priority,Honest Operation,and Considerate Service”,our business mainly focus on the distribution of electronic components. Line cards we deal with include Microchip,ALPS,ROHM,Xilinx,Pulse,ON,Everlight and Freescale. Main products comprise IC,Modules,Potentiometer,IC Socket,Relay,Connector.Our parts cover such applications as commercial,industrial, and automotives areas.

We are looking forward to setting up business relationship with you and hope to provide you with the best service and solution. Let us make a better world for our industry!



Contact us

Tel: +86-755-8981 8866 Fax: +86-755-8427 6832

Email & Skype: info@chipsmall.com Web: www.chipsmall.com

Address: A1208, Overseas Decoration Building, #122 Zhenhua RD., Futian, Shenzhen, China



Component name	Base material	Finish
Case	LCP, black, UL94 V-0	
Terminal, wire lug (gold)	Brass	Gold over nickel
Terminal, PC & RA (gold)	Brass	Gold over nickel in contact area, Tin over nickel in solder area
Terminal, VRA (gold)	Brass	Gold over nickel in contact area, Tin over nickel in solder area
Terminal, wire lug (silver)	Silver clad copper	Silver over nickel
Terminal, PC (silver)	Silver clad copper	Silver over nickel
Contact (gold)	Copper alloy or brass	Gold over nickel
Contact (silver)	Silver clad copper or copper	Silver over nickel
Frame	Steel	Tin over copper
Spring	Music wire	
Plunger Button	Nylon 6/6, black, red or blue. UL94 HB (extended) or UL94V-2 (flush)	
Support bracket (RA*ES versions only)	Brass	Tin over copper
Support bracket, VRA (B & C bushings only)	Steel	Tin over copper
Bushing	Brass	Nickel over copper
Mounting Nut	Brass	Nickel
Lockwasher	Steel	Nickel
ES Housing	Nylon 6/6, natural, UL94 V-2	
ES boot	Vinyl plastisol, black	

Model	Actuator	Poles	Rating	Function	Plating	Terminations	Process Seal	Button color	04
TPD									04
	Blank = extended	1	1 = Gold .4VA	C = SPST momentary	G = Gold	Blank = Wire lug	ES= process sealed	0 = Black	
		2	3 = Silver 1 Amp	F = SPDT momentary	Blank = Silver	PC = printed circuit		2 = Red	
				M = DPST momentary		RA = right angle		6 = Blue	
				R = DPDT momentary		VRA = vertical right angle			

Notes:
 1. Silver only available in wire lug and pc terminations
 2. RAES available with B and C bushing only
 3. VRA only available in single pole

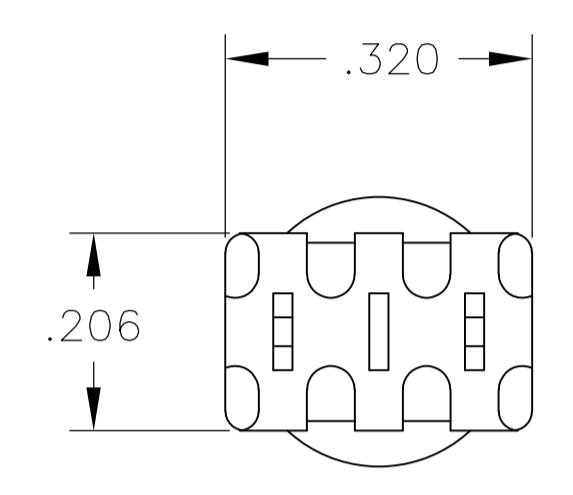
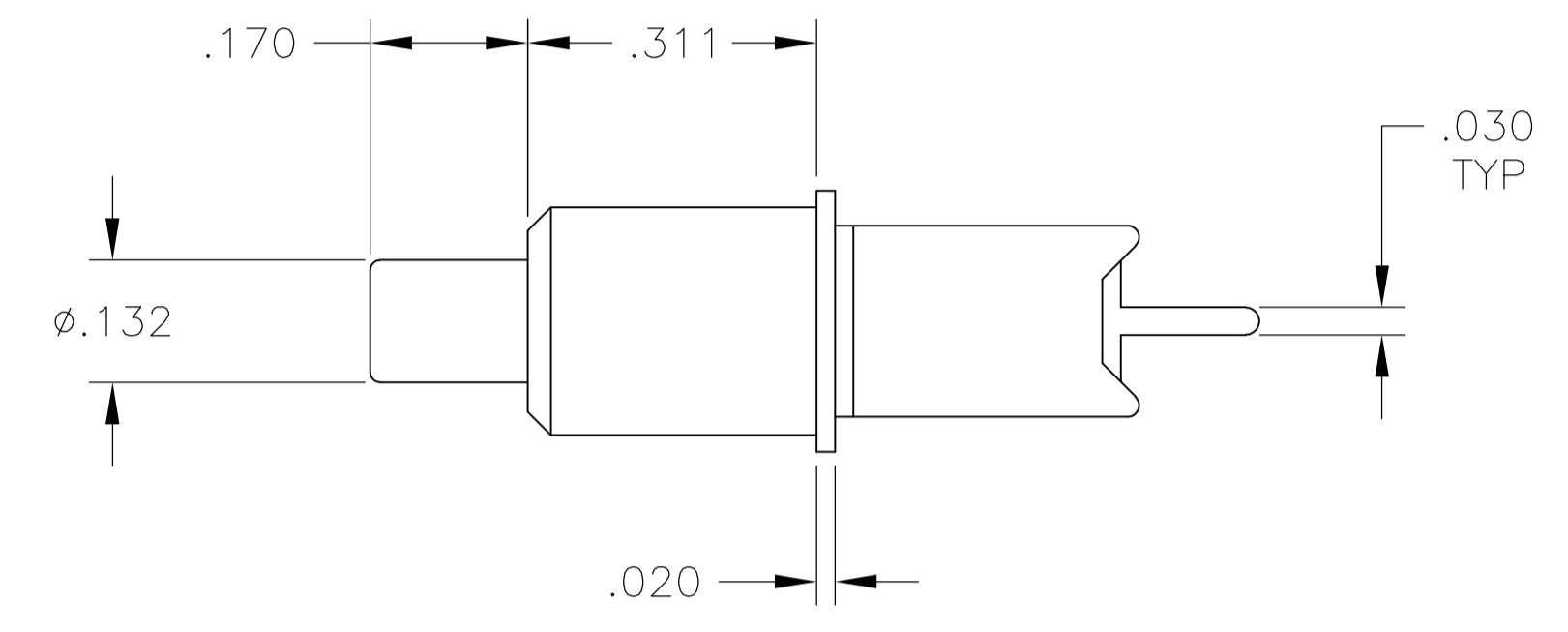
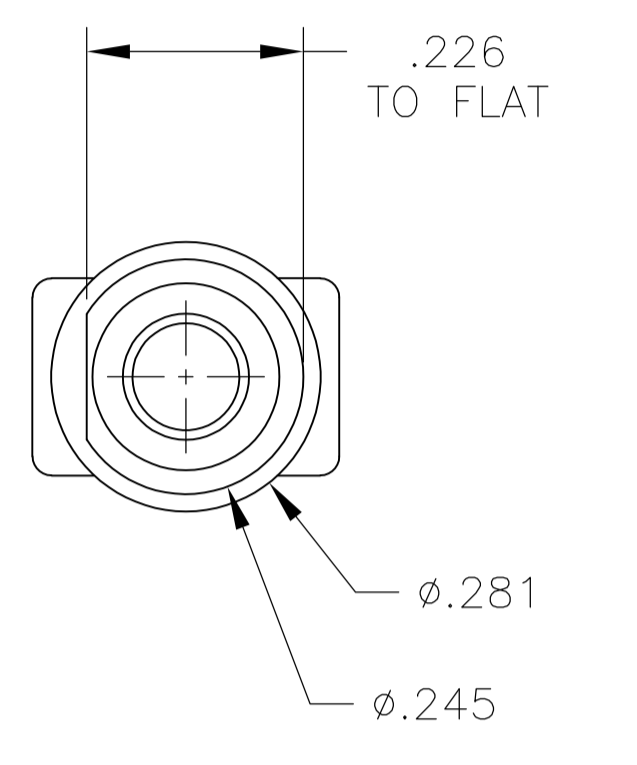
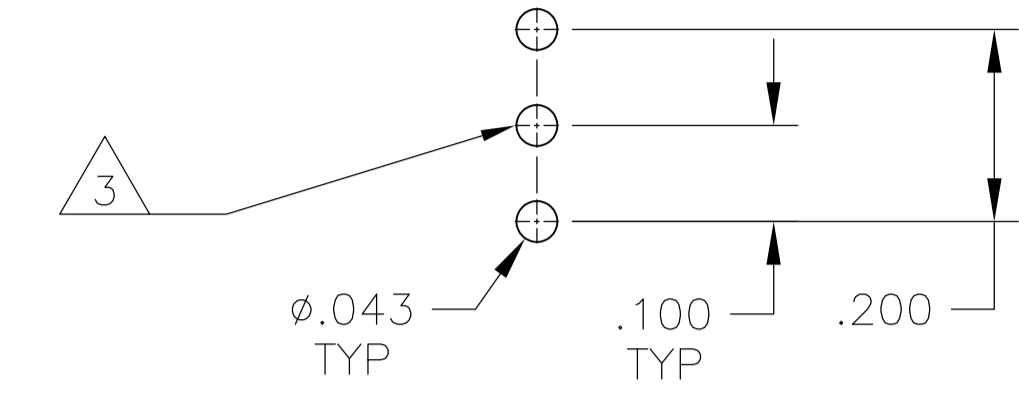
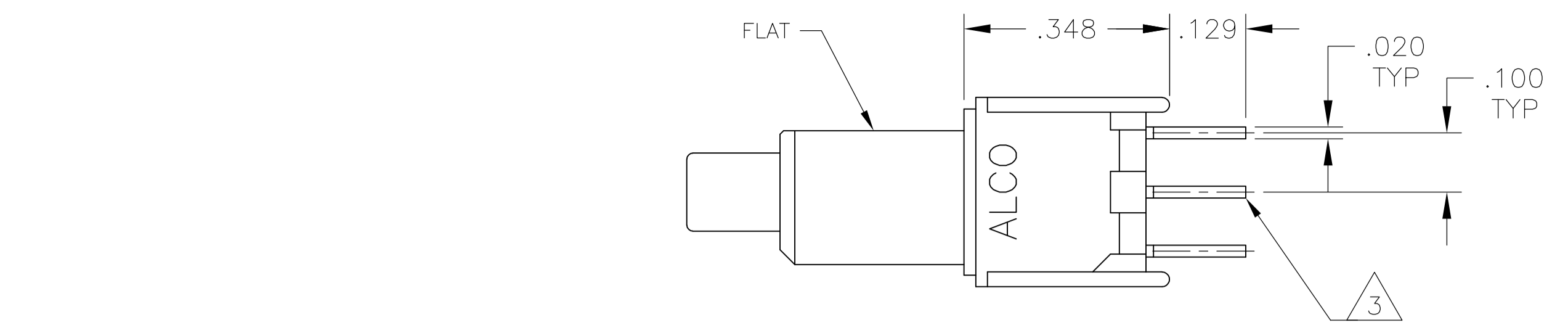
Specifications	
Rating	Gold: .4VA max. @ 20VDC or peak AC resistive Silver: 1 A @ 125VAC or 28 VDC resistive
Initial termination resistance	20 milliohms max.
Insulation resistance	1,000 Megohms min @ 500 VDC
Dielectric strength	1,000 volts RMS at sea level
Timing	Break before make
Plunger travel	.030
Actuation force	50 to 400 grams
Life expectancy	.4 VA, 1 pole: 100,000 .4 VA, 2 poles: 80,000 1 A, 1 pole: 60,000 1 A, 2 poles: 50,000
Operating temperature	-30° C to +65° C
Storage temperature	-30° C to +65° C
Terminal seal	Single pole: epoxy Double pole: epoxy optional

- TERMINAL NUMBERS ARE FOR REFERENCE ONLY AND DO NOT APPEAR ON SWITCHES
- ALL MATERIALS AND FINISHES COMPLY WITH EU DIRECTIVE 2002/95/EC OF 27JAN2003 (ROHS).
- CENTER TERMINAL PRESENT ON DOUBLE THROW SWITCHES ONLY.
- DISPOSABLE BOOT SUPPLIED WITH ES VERSIONS. BOOT TO BE PLACED OVER BUSHING BEFORE SOLDER WASHING

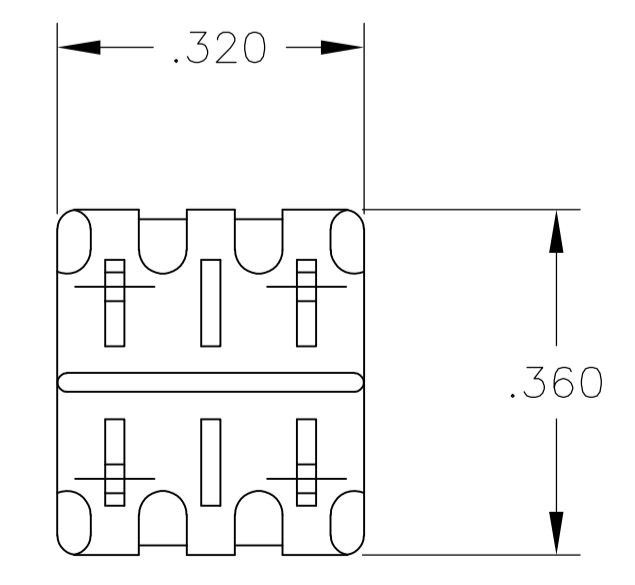
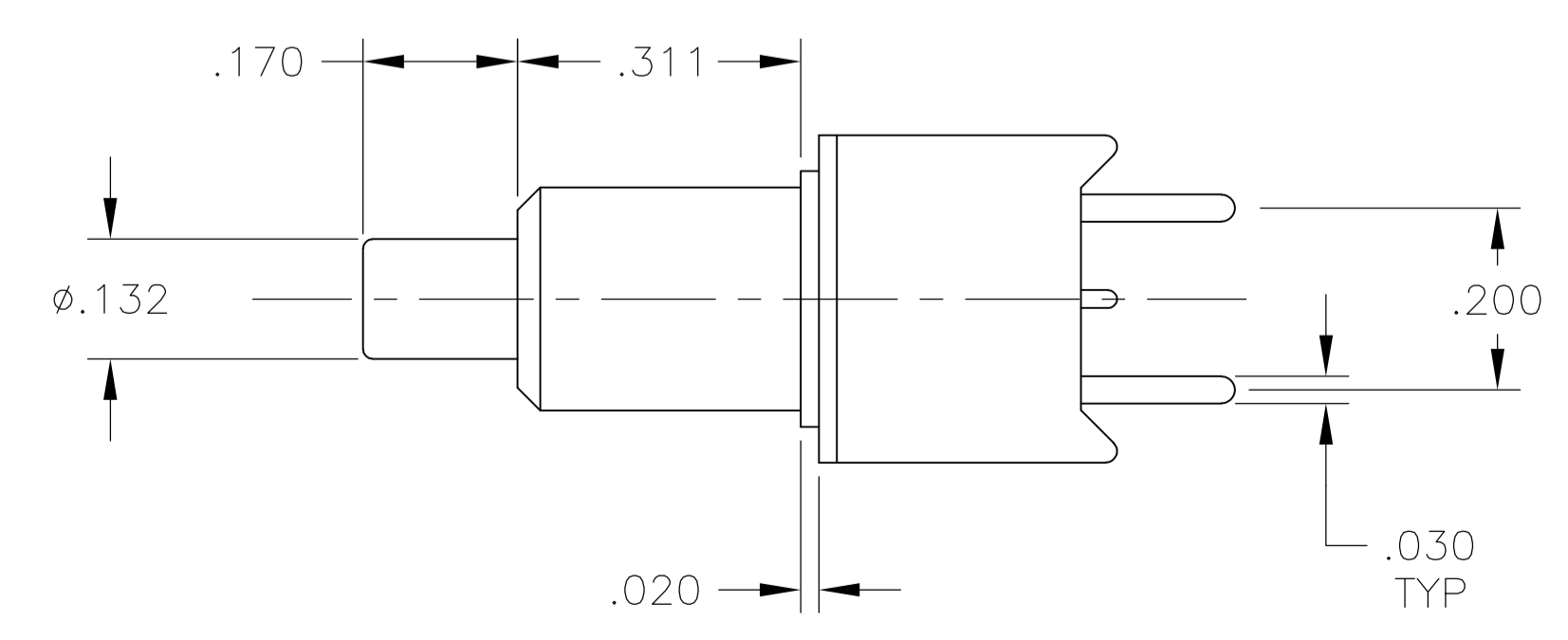
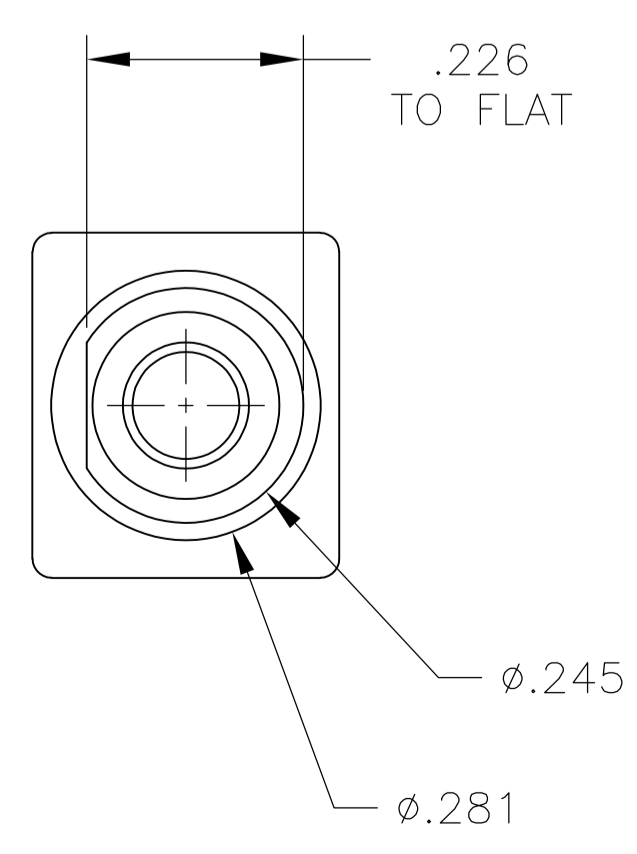
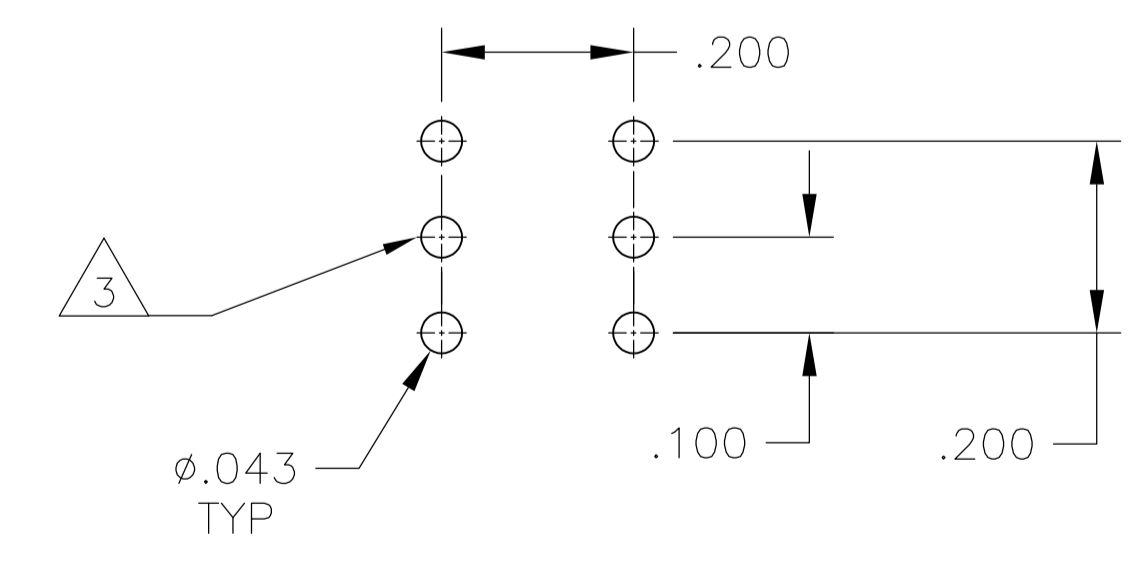
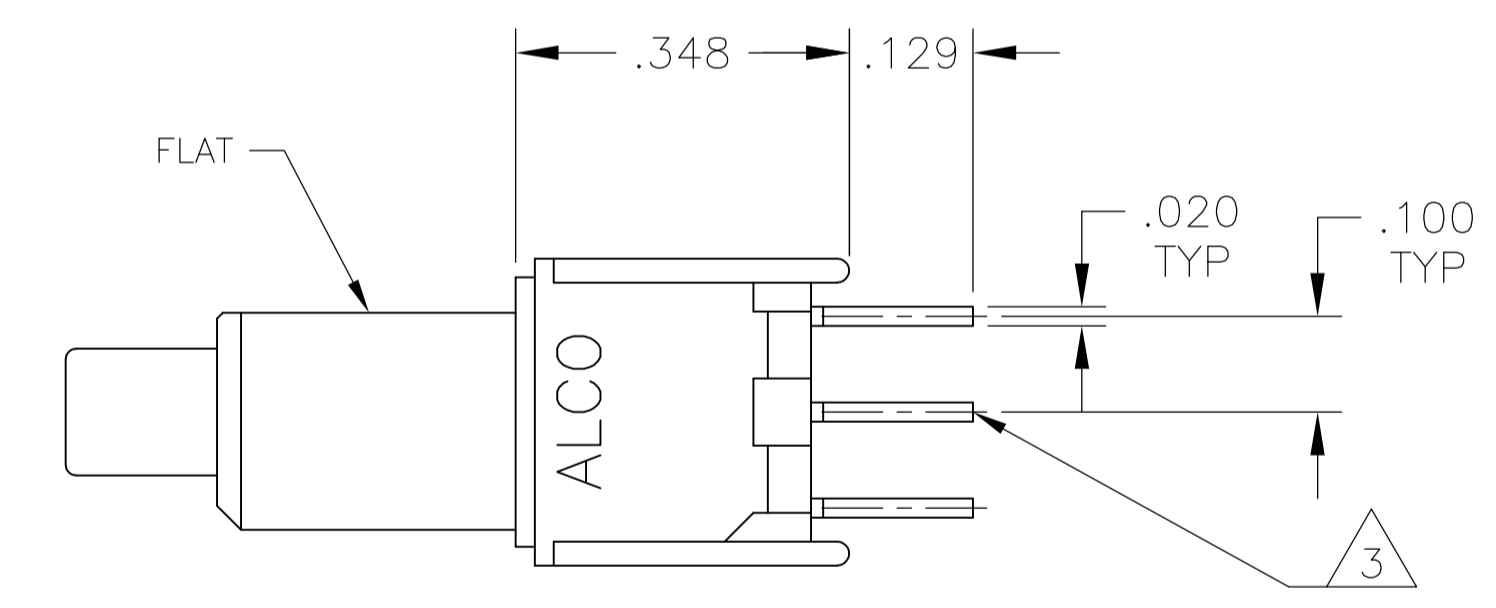
TE P/N	Alco P/N	Poles	Throws	Plating	Terminals	Process sealed?	Button Color	Function		Connected Terminals	
								ALCO	ALCO	ALCO	ALCO
1825099-1	TPD11CGPC004	1	1	Gold	PC	No	Black	Off	Mom	Off	1-3
1825099-2	TPD11CGPC204	1	1	Gold	PC	No	Red	Off	Mom	Off	1-3
1825099-3	TPD11CGRA004	1	1	Gold	Right Angle	No	Black	Off	Mom	Off	1-3
1825099-4	TPD11CGRA204	1	1	Gold	Right Angle	No	Red	Off	Mom	Off	1-3
1825099-5	TPD11CGRA604	1	1	Gold	Right Angle	No	Blue	Off	Mom	Off	1-3
1825099-6	TPD11FGPC004	1	2	Gold	PC	No	Black	On	Mom	1-2	2-3
1825099-7	TPD11FGRA004	1	2	Gold	Right Angle	No	Black	On	Mom	1-2	2-3
1825099-8	TPD11FGRA204	1	2	Gold	Right Angle	No	Red	On	Mom	1-2	2-3
1825099-9	TPD21MGRA004	2	1	Gold	Right Angle	No	Black	Off	Mom	Off	1-3, 4-6
1825099-0	TPD21RGPC004	2	2	Gold	PC	No	Black	On	Mom	1-2, 4-5	2-3, 5-6

THIS DRAWING IS A CONTROLLED DOCUMENT. DIMENSIONS: INCHES. TOLERANCES UNLESS OTHERWISE SPECIFIED: 0 PL ±, 1 PL ±, 2 PL ±, 3 PL ±.010, 4 PL ±. MATERIAL: FINISH: WEIGHT: A1 00779 1825099. CUSTOMER DRAWING. SCALE: 4:1. SHEET 1 OF 3. REV B.

LOC		DIST		REVISIONS			
P	LTR	DESCRIPTION	DATE	DWN	APVD		
-	-	SEE SHEET 1	-	-	-	-	-



TPD11CGPC, TPD11FGPC

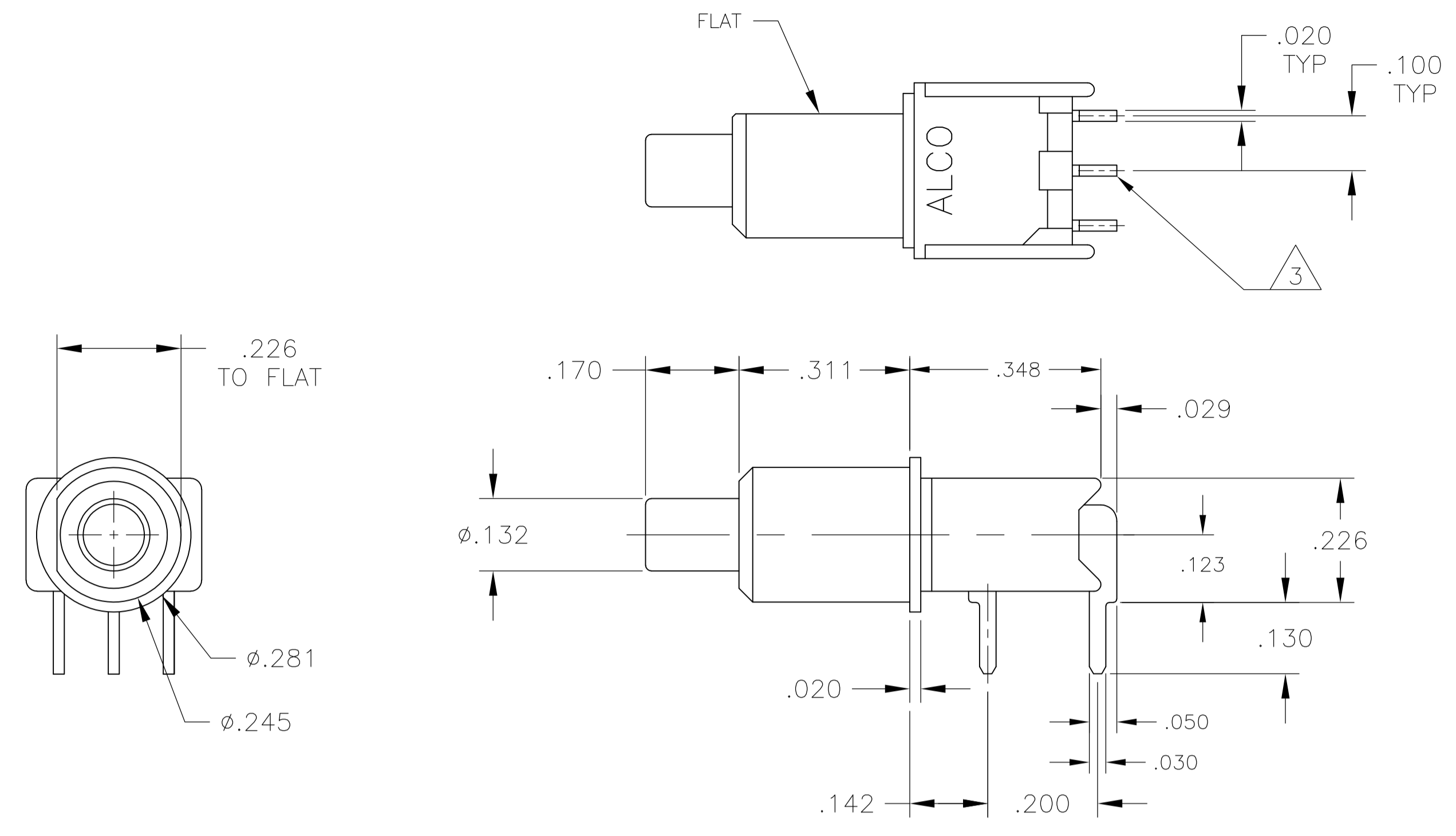


TPD21RGPC

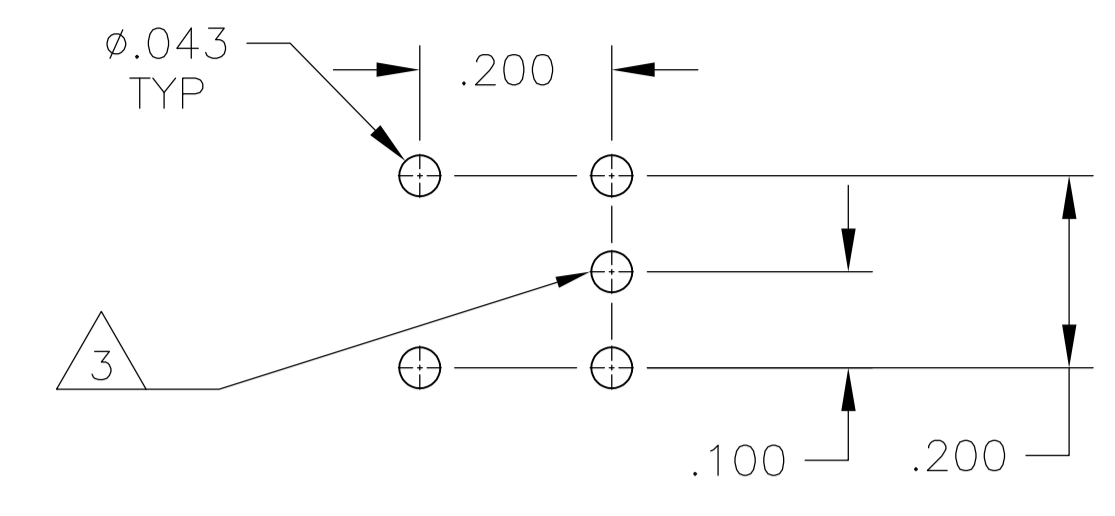
PCB HOLE LAYOUT

THIS DRAWING IS A CONTROLLED DOCUMENT.		DWN M. BINNER 21SEP05	TE Connectivity
DIMENSIONS: INCHES		CHK M. ZITTO 21SEP05	
TOLERANCES UNLESS OTHERWISE SPECIFIED:		APP'D M. ZITTO 21SEP05	NAME
0. PLC	± .010	PRODUCT SPEC	PUSHBUTTON SWITCH, TPD SERIES
1. PLC	± .010	APPLICATION SPEC	
2. PLC	± .010	SIZE	A1
3. PLC	± .010	CAGE CODE	00779
4. PLC	± .010	DRAWING NO	1825099
ANGLES	± .010	RESTRICTED TO	-
FINISH	-	WEIGHT	-
MATERIAL		CUSTOMER DRAWING	SCALE 4:1 SHEET 2 OF 3 REV B

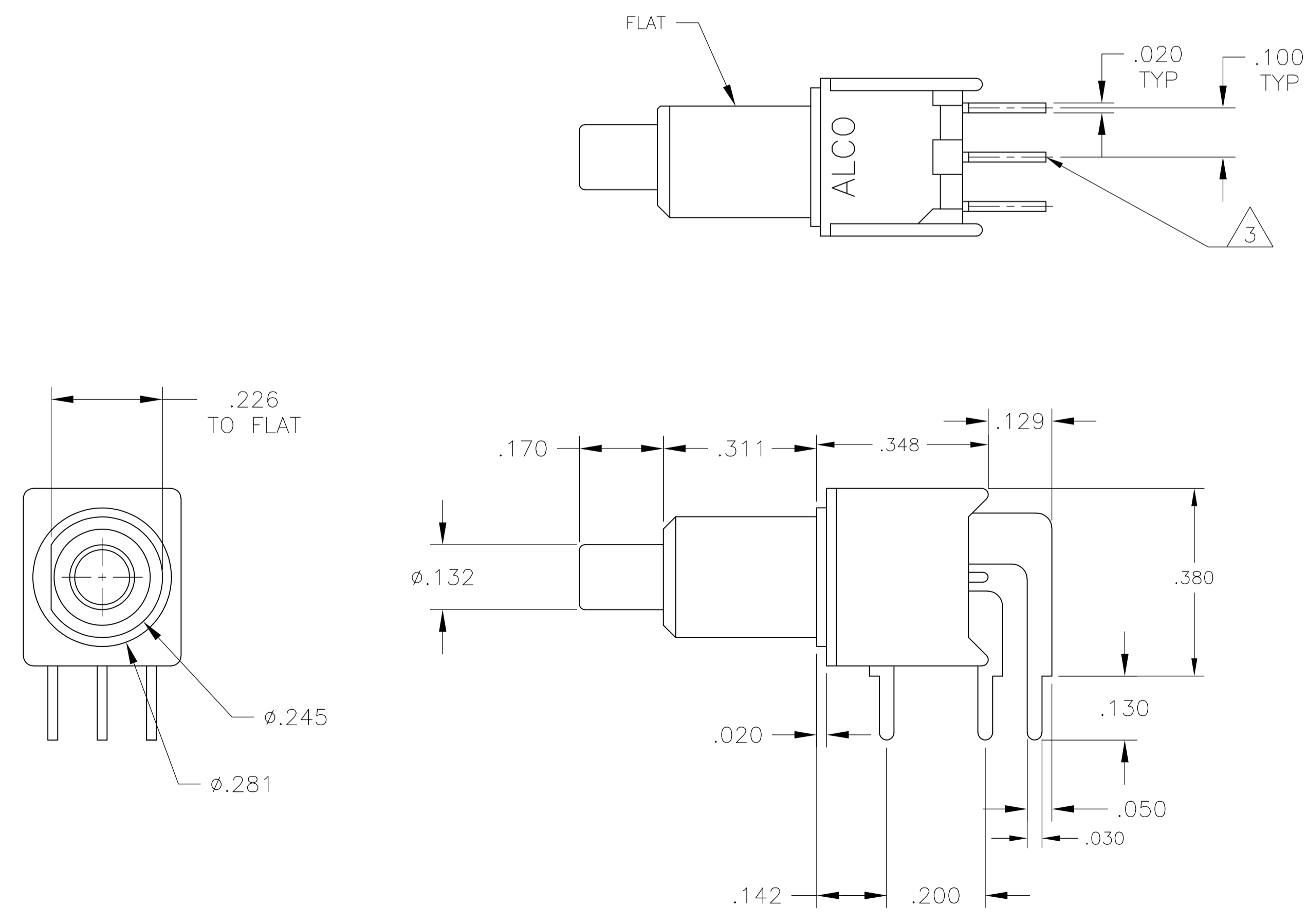
LOC		DIST		REVISIONS			
AD		P	LTR	DESCRIPTION	DATE	DWN	APVD
				SEE SHEET 1			



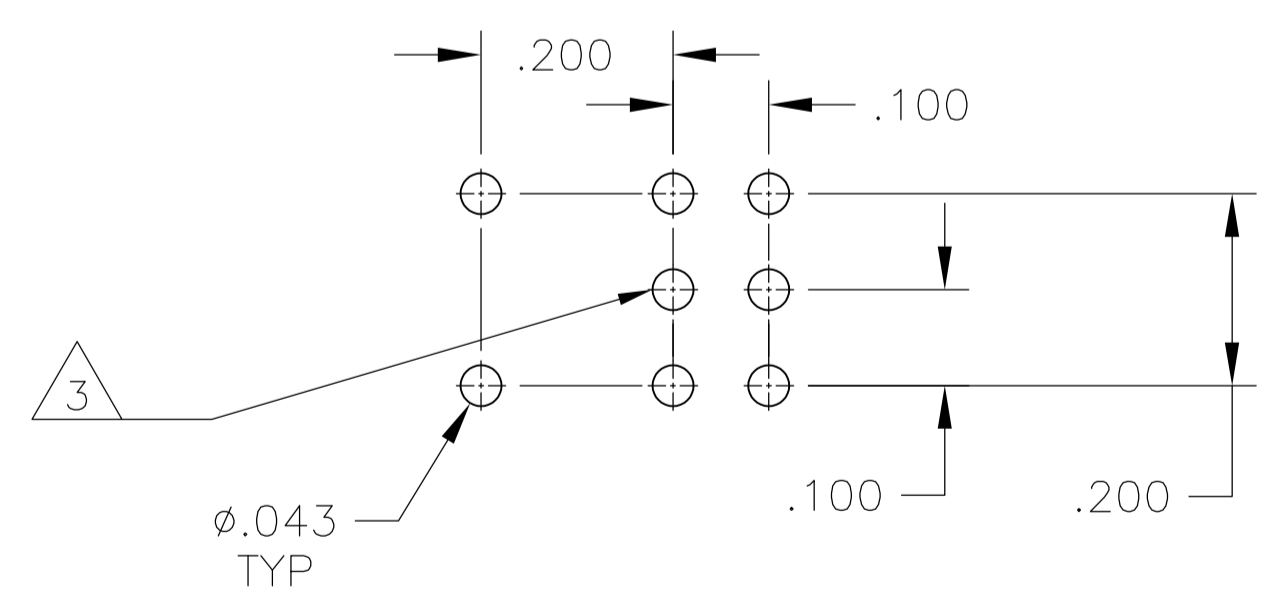
TPD11CGRA, TPD11FGRA



PCB HOLE LAYOUT



TPD21MGRA



PCB HOLE LAYOUT

THIS DRAWING IS A CONTROLLED DOCUMENT.		DWN	M. BINNER	21SEP05	
DIMENSIONS: INCHES		CHK	M. ZITTO	21SEP05	
TOLERANCES UNLESS OTHERWISE SPECIFIED:		APP'D	M. ZITTO	21SEP05	NAME
0. PLC	± .010	PRODUCT SPEC		PUSHBUTTON SWITCH, TPD SERIES	
1. PLC	± .010	APPLICATION SPEC		SIZE	A1
2. PLC	± .010	MATERIAL		CAGE CODE	00779
3. PLC	± .010	FINISH		DRAWING NO	1825099
4. PLC	± .010	MATERIAL		RESTRICTED TO	
ANGLES	± .010	WEIGHT		CUSTOMER DRAWING	
FINISH		SCALE		4:1	
		SHEET		3 OF 3	
		REV		B	