



Chipsmall Limited consists of a professional team with an average of over 10 year of expertise in the distribution of electronic components. Based in Hongkong, we have already established firm and mutual-benefit business relationships with customers from,Europe,America and south Asia,supplying obsolete and hard-to-find components to meet their specific needs.

With the principle of “Quality Parts,Customers Priority,Honest Operation,and Considerate Service”,our business mainly focus on the distribution of electronic components. Line cards we deal with include Microchip,ALPS,ROHM,Xilinx,Pulse,ON,Everlight and Freescale. Main products comprise IC,Modules,Potentiometer,IC Socket,Relay,Connector.Our parts cover such applications as commercial,industrial, and automotives areas.

We are looking forward to setting up business relationship with you and hope to provide you with the best service and solution. Let us make a better world for our industry!



Contact us

Tel: +86-755-8981 8866 Fax: +86-755-8427 6832

Email & Skype: info@chipsmall.com Web: www.chipsmall.com

Address: A1208, Overseas Decoration Building, #122 Zhenhua RD., Futian, Shenzhen, China



THIS DRAWING IS UNPUBLISHED. RELEASED FOR PUBLICATION
 © COPYRIGHT - By - ALL RIGHTS RESERVED.

LOC		DIST		REVISIONS			
P	LTR	DESCRIPTION		DATE	DWN	APVD	
	B3	REVISED PER ECO-11-004587		11MAR11	RK	HMR	

SPECIFICATIONS:
 BREAK BEFORE MAKE

MATERIALS:

FRAME: STEEL,ZINC PLATE
 ACTUATOR: PBT,UL94V0, SEE P/N TABLE
 TERMINAL/FIXED CONTACT: COPPER ALLOY, AG OVER NI
 OR AU OVER NI PLATE.
 MOVING CONTACT: COPPER ALLOY, AG OVER NI
 OR AU OVER NI PLATE
 TERMINAL BOARD: PHENOLIC, UL94HB
 COIL SPRING: CARBON STEEL WIRE

ELECTRICAL:

CONTACT RATING, 250MILLIAMPS @ 125V AC,
 150MILLIAMPS @ 12V DC
 CONTACT RESISTANCE, 30 MILLIOHMS MAX (INITIAL),
 60 MILLIOHMS AFTER TEST
 INSULATION RESISTANCE: 500 MEGOHMS MIN.
 DIELECTRIC STRENGTH: 500 VOLTS RMS @SEA LEVEL
 LIFE EXPECTANCY: 10,000 CYCLES MIN. NO LOAD,
 6,000 AT RATED CURRENT.

MECHANICAL:

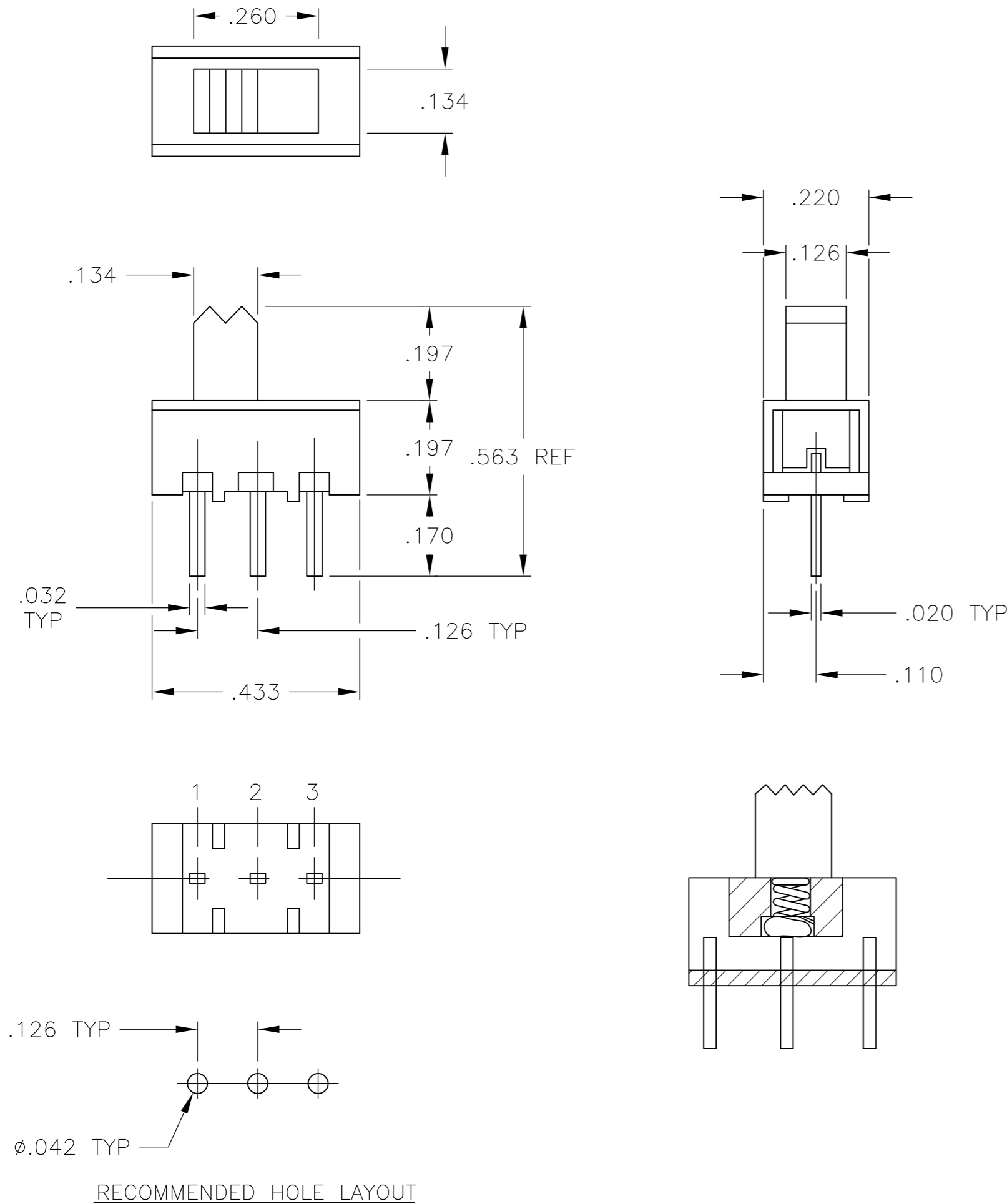
ACTUATION FORCE, 250 +150/-100 GRAMS
 TRAVEL, .126 (3.20)


ENVIRONMENTAL:

OPERATING TEMPERATURE: -10°C TO +85°C
 STORAGE TEMPERATURE: -10°C TO +85°C
 RESISTANCE TO SOLDER HEAT, 260°C FOR 10 SEC
 PER 109-202, CONDITION B
 SOLDERABILITY PER EIA-364-56A, PROCEDURE 3,
 CONDITION B

- ALL MATERIALS AND FINISHES SHALL COMPLY WITH EU DIRECTIVE 2002/95/EC OF 27 JAN2003 (ROHS)
- ALL PERFORMANCE SPECIFICATIONS WERE TESTED IN ACCORDANCE WITH JIS-C-5441 UNLESS OTHERWISE STATED.

1,2	2,3	NATURAL	GOLD	SPDT	SLS121NPCG04	1825115-4
1,2	2,3	NATURAL	SILVER	SPDT	SLS121NPC04	1825115-3
1,2	2,3	BLACK	GOLD	SPDT	SLS121PCG04	1825115-2
1,2	2,3	BLACK	SILVER	SPDT	SLS121PCG04	1825115-1
						
LEFT	RIGHT					
ACTUATOR POSITION		ACTUATOR COLOR	FINISH	TYPE	ALCO P/N	PART NO.



THIS DRAWING IS A CONTROLLED DOCUMENT.		DWN	01MAR05	 TE Connectivity SLIDE SWITCH, SPDT (SLS121PC & SLS121PCG)		
DIMENSIONS: INCHES		CHK	B S VISWESWARA			
TOLERANCES UNLESS OTHERWISE SPECIFIED:		APVD	M S SARVER			
0 PLC ± - 1 PLC ± - 2 PLC ± - 3 PLC ± .010 4 PLC ± - ANGLES ± -		PRODUCT SPEC	-			
MATERIAL SEE TABLE		FINISH	-	APPLICATION SPEC	-	RESTRICTED TO
		WEIGHT	-	SIZE	A2	SCALE
		CUSTOMER DRAWING		CAGE CODE	00779	DRAWING NO
				SCALE	4:1	SHEET
				DRAWING NO	C=1825115	1 OF 1
				REV	B3	