



Chipsmall Limited consists of a professional team with an average of over 10 year of expertise in the distribution of electronic components. Based in Hongkong, we have already established firm and mutual-benefit business relationships with customers from,Europe,America and south Asia,supplying obsolete and hard-to-find components to meet their specific needs.

With the principle of “Quality Parts,Customers Priority,Honest Operation,and Considerate Service”,our business mainly focus on the distribution of electronic components. Line cards we deal with include Microchip,ALPS,ROHM,Xilinx,Pulse,ON,Everlight and Freescale. Main products comprise IC,Modules,Potentiometer,IC Socket,Relay,Connector.Our parts cover such applications as commercial,industrial, and automotives areas.

We are looking forward to setting up business relationship with you and hope to provide you with the best service and solution. Let us make a better world for our industry!



Contact us

Tel: +86-755-8981 8866 Fax: +86-755-8427 6832

Email & Skype: info@chipsmall.com Web: www.chipsmall.com

Address: A1208, Overseas Decoration Building, #122 Zhenhua RD., Futian, Shenzhen, China



LOC	DIST	REVISIONS			
P	LTR	DESCRIPTION	DATE	DWN	APVD
AD	00	B3	REVISED PER ECO-11-004820	11MAR11	RK HMR

SPECIFICATIONS:
BREAK BEFORE MAKE

MATERIALS:

FRAME: STEEL,ZINC PLATE
ACTUATOR: PBT, UL94V0, FINISH: SEE TABLE

TERMINAL/FIXED CONTACT: COPPER ALLOY, AG OVER NI
OR AU OVER NI PLATE.

MOVING CONTACT: COPPER ALLOY, AG OVER NI
OR AU OVER NI PLATE

TERMINAL BOARD: PHENOLIC, UL94HB
SPRING: CARBON STEEL WIRE

ELECTRICAL:

CONTACT RATING, 250MILLIAMP @ 125V AC,
150MILLIAMP @ 12V DC

CONTACT RESISTANCE, 30 MILLIOHMS MAX (INITIAL),
60 MILLIOHMS AFTER TEST

INSULATION RESISTANCE: 500 MEGOHMS MIN.

DIELECTRIC STRENGTH: 500 VOLTS RMS @SEA LEVEL
LIFE EXPECTANCY: 10,000 CYCLES MIN. NO LOAD,
6,000 AT RATED CURRENT.

MECHANICAL:

ACTUATION FORCE, 250 +150/-100 GRAMS
TRAVEL, 3.20(.126)

ENVIRONMENTAL:

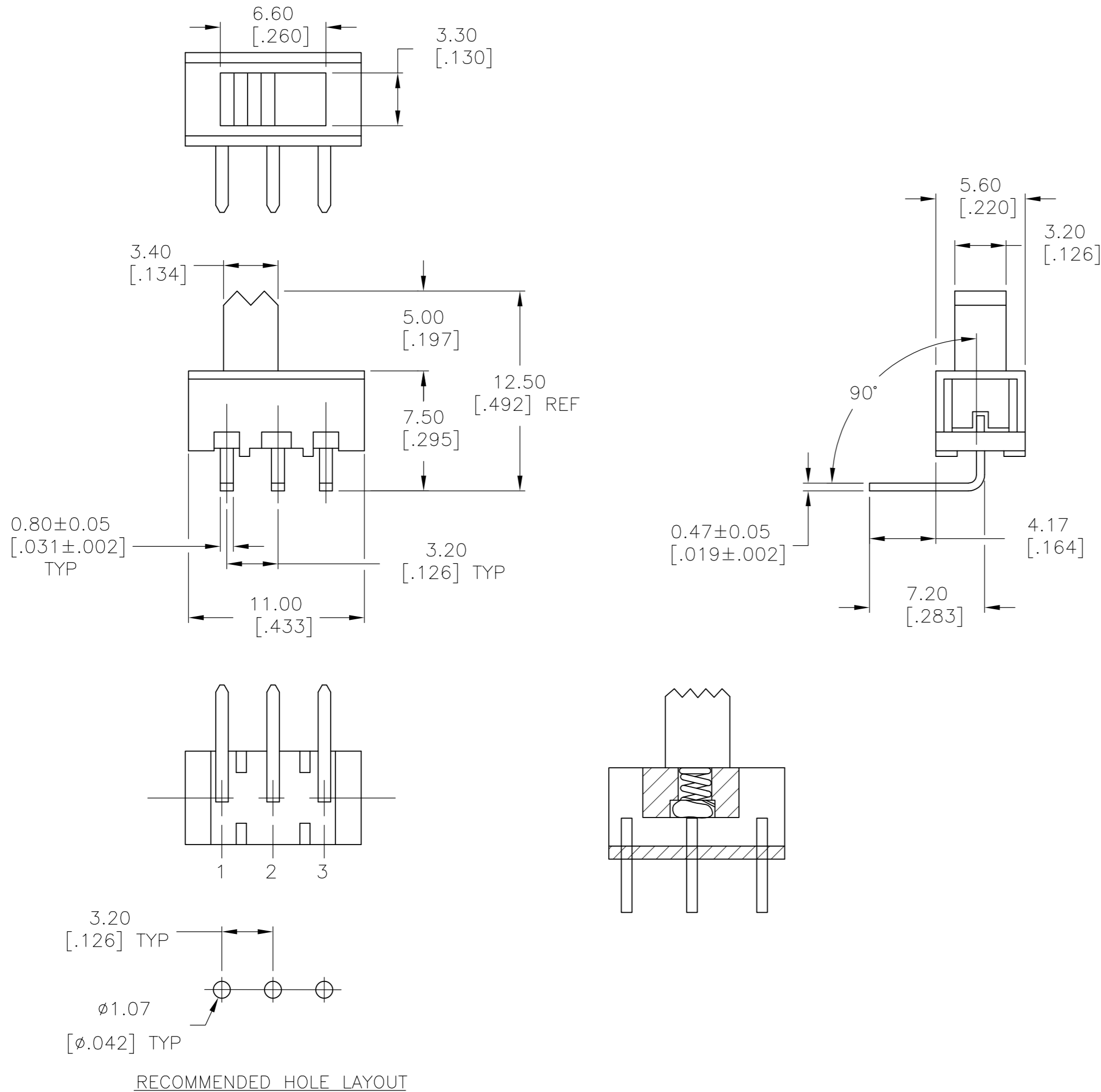
OPERATING TEMPERATURE: -10°C TO +85°C

STORAGE TEMPERATURE: -10°C TO +85°C

RESISTANCE TO SOLDER HEAT, 260°C FOR 10 SEC
PER 109-202, CONDITION B

SOLDERABILITY PER EIA-364-56A, PROCEDURE 3,
CONDITION B

- 1 ALL MATERIALS AND FINISHES SHALL COMPLY WITH EU DIRECTIVE 2002/95/EC OF 27 JAN2003 (ROHS)
- 2 ALL PERFORMANCE SPECIFICATIONS WERE TESTED IN ACCORDANCE WITH JIS-C-5441 UNLESS OTHERWISE STATED.



NATURAL	GOLD	1-2	2-3	SLS121NRAG04	1825116-3
NATURAL	SILVER	1-2	2-3	SLS121NRA04	1825116-2
BLACK	SILVER	1-2	2-3	SLS121RA04	1825116-1
		LEFT	RIGHT		
ACTUATOR FINISH	FINISH	ACTUATOR POSITION		ALCO P/N	PART NO

THIS DRAWING IS A CONTROLLED DOCUMENT.		DWN B S VISWESWARA	TE Connectivity		
DIMENSIONS: mm [INCHES]		CHK M S SARVER	SLIDE SWITCH, SPDT, RIGHT ANGLE (SLS121RA)		
TOLERANCES UNLESS OTHERWISE SPECIFIED:		APVD -	NAME		
0 PLC ± -		PRODUCT SPEC -	SIZE		
1 PLC ± -		APPLICATION SPEC -	CAGE CODE		
2 PLC ± 0.25[.010]		WEIGHT -	DRAWING NO		
3 PLC ± -		CUSTOMER DRAWING	A2 00779 C=1825116		
4 PLC ± -		SCALE 1:1	SHEET 1 OF 1		
ANGLES ± -		REV B3			
MATERIAL SEE TABLE	FINISH -				