



Chipsmall Limited consists of a professional team with an average of over 10 year of expertise in the distribution of electronic components. Based in Hongkong, we have already established firm and mutual-benefit business relationships with customers from,Europe,America and south Asia,supplying obsolete and hard-to-find components to meet their specific needs.

With the principle of “Quality Parts,Customers Priority,Honest Operation,and Considerate Service”,our business mainly focus on the distribution of electronic components. Line cards we deal with include Microchip,ALPS,ROHM,Xilinx,Pulse,ON,Everlight and Freescale. Main products comprise IC,Modules,Potentiometer,IC Socket,Relay,Connector.Our parts cover such applications as commercial,industrial, and automotives areas.

We are looking forward to setting up business relationship with you and hope to provide you with the best service and solution. Let us make a better world for our industry!



## Contact us

Tel: +86-755-8981 8866 Fax: +86-755-8427 6832

Email & Skype: info@chipsmall.com Web: www.chipsmall.com

Address: A1208, Overseas Decoration Building, #122 Zhenhua RD., Futian, Shenzhen, China



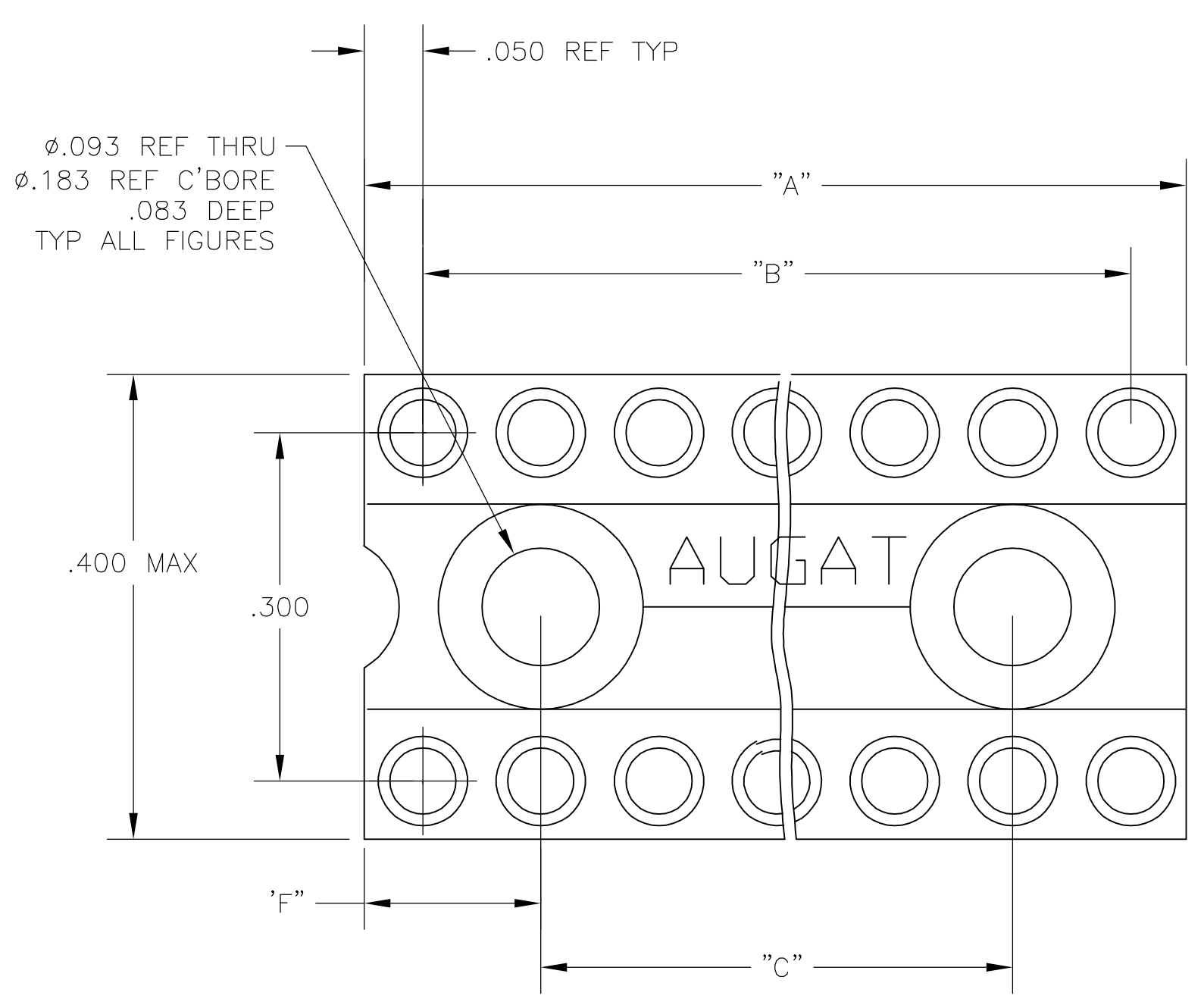


FIG. 1

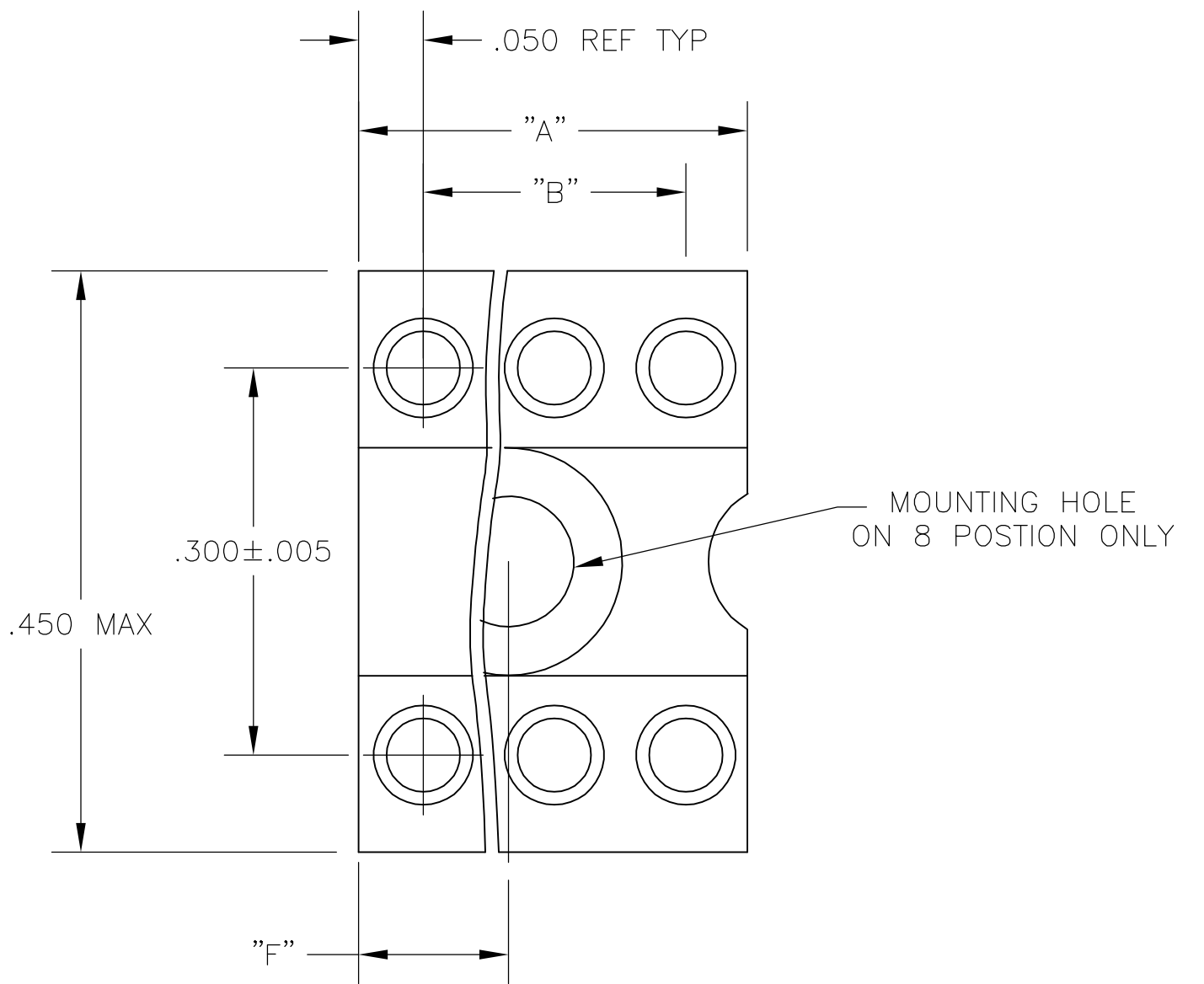


FIG. 2

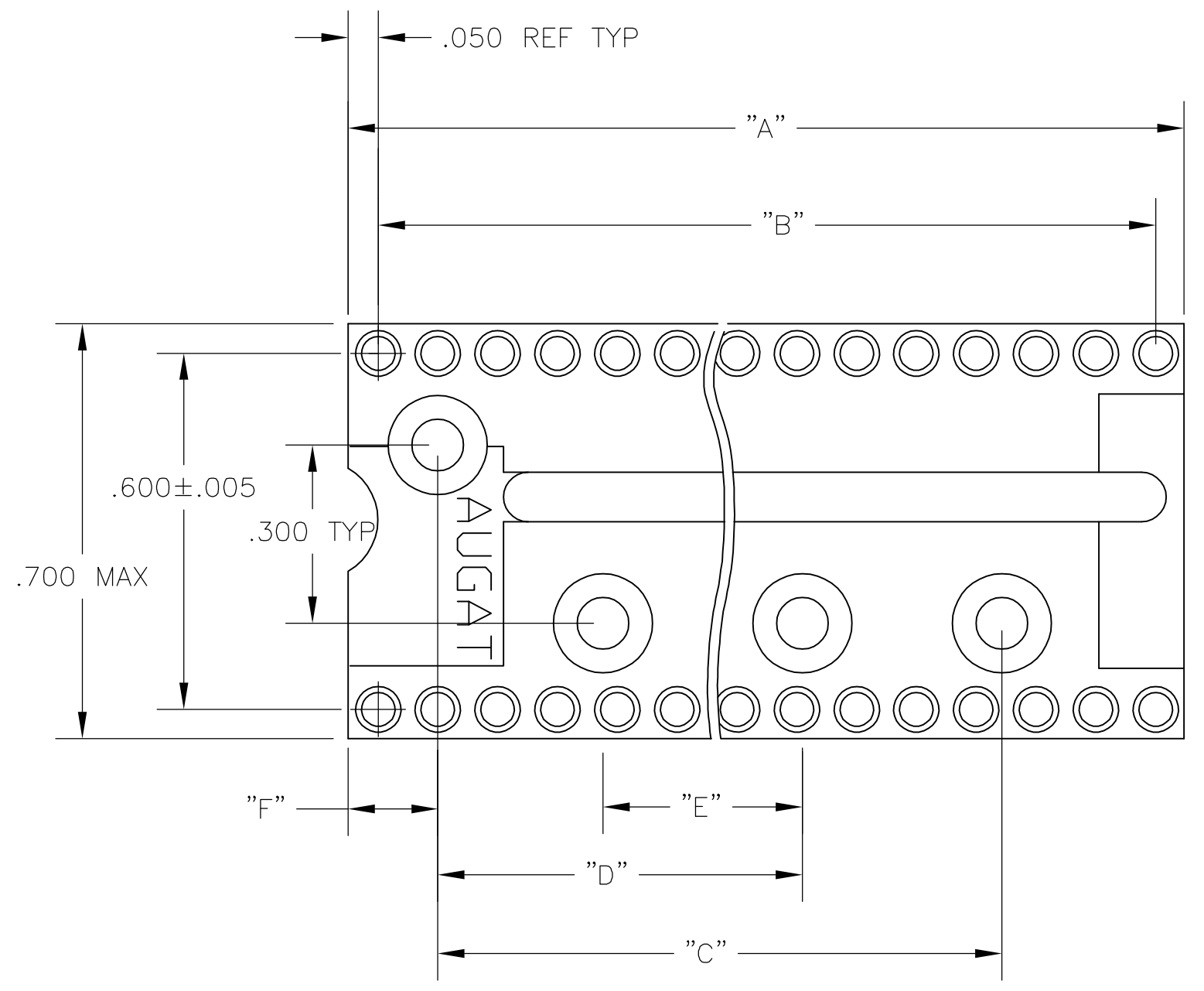


FIG. 3

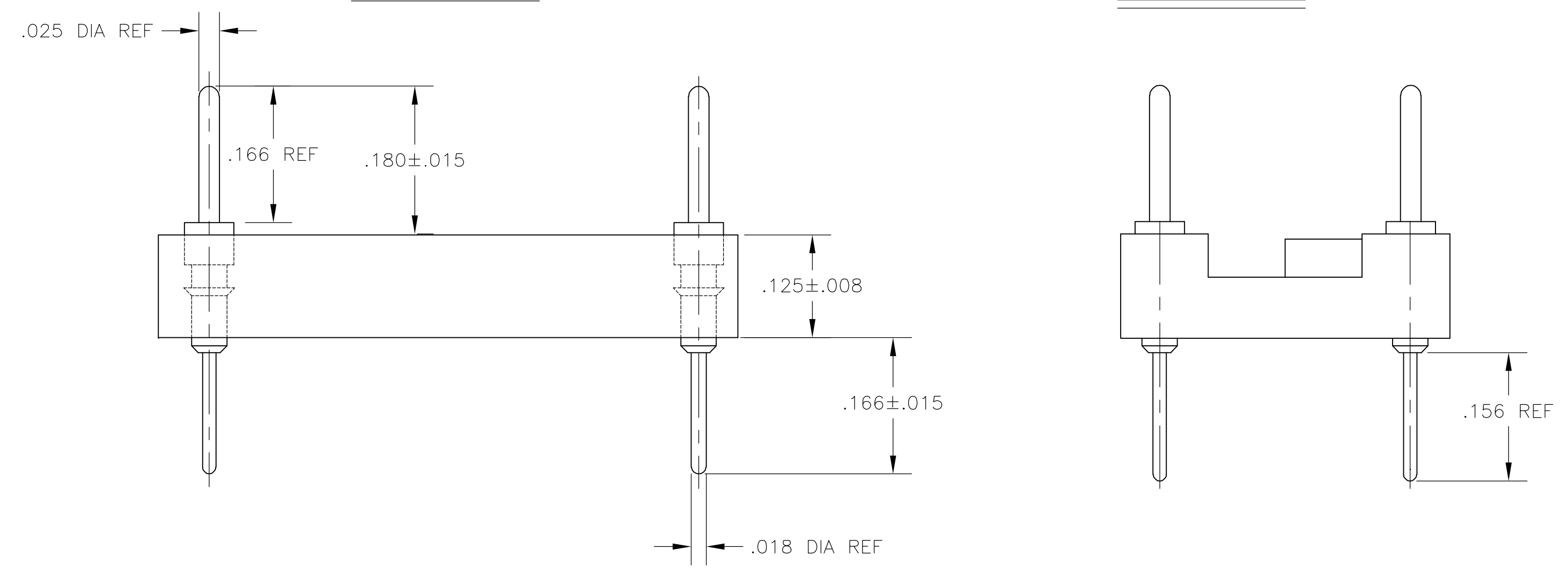
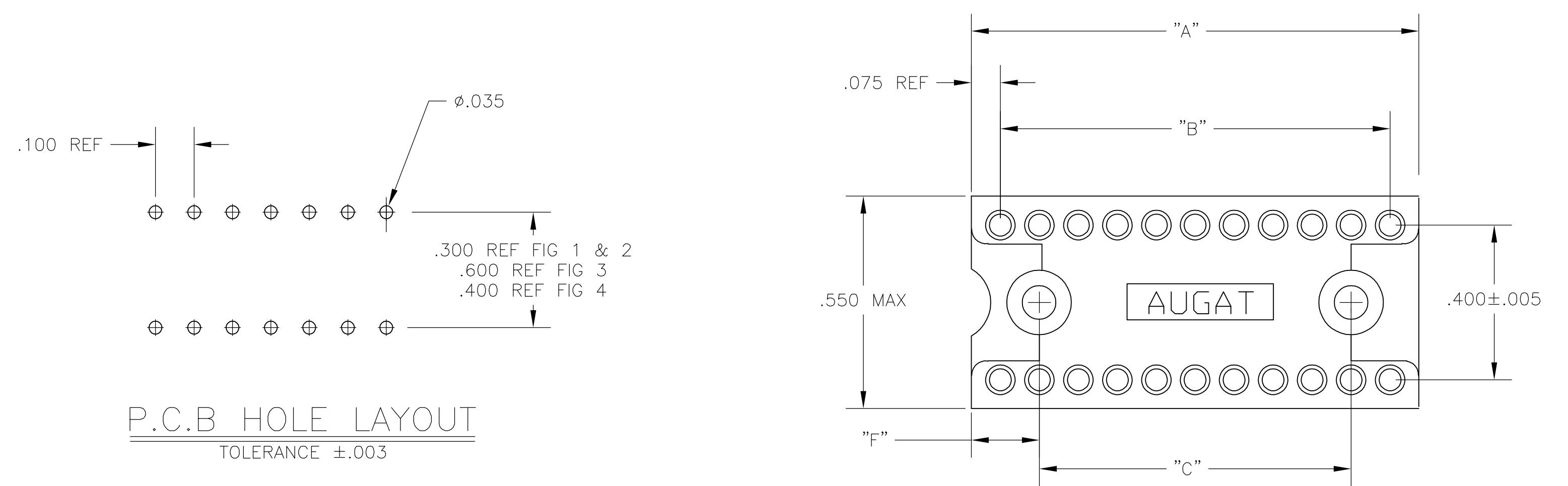


FIG. 4



P.C.B HOLE LAYOUT  
TOLERANCE ±.003

1. INSULATOR MATERIAL - THERMOPLASTIC POLYESTER, PCT, BLK, UL94 V-0.
2. CONTACT PLATING - .000180-.000340 THK TIN (LEAD FREE) OVER .000050-.000180 THK COPPER.

3	.150	.500	.900	1.500	1.900	2.000	40	1-1825130-1
3	.150	.500	.900	1.500	1.700	1.800	36	1-1825130-0
3	.150	.500	.900	-	1.500	1.600	32	1825130-9
3	.150	.500	.900	-	1.300	1.400	28	1825130-8
3	.150	.500	.900	-	1.100	1.200	24	1825130-7
4	.175	-	-	.800	1.000	1.150	22	1825130-6
1	.250	-	-	.500	.900	1.00	20	1825130-5
1	.150	-	-	.600	.800	.900	18	1825130-4
1	.150	-	-	.500	.700	.800	16	1825130-3
1	.150	-	-	.400	.600	.700	14	1825130-2
2	.200	-	-	-	.300	.400	8	1825130-1
FIG	"F"	"E"	"D"	"C"	"B"	"A" MAX	NO. OF POSN	PART NO.

THIS DRAWING IS A CONTROLLED DOCUMENT.

DIMENSIONS: INCHES	TOLERANCES UNLESS OTHERWISE SPECIFIED:	DRN: S.S. VISWESWARA	11MAY05		Tyco Electronics Corporation Harrisburg, Pa 17105-3608
0 PLC ± -	1 PLC ± -	CHK: K. WRIGHT	NAME: -		PRODUCT SPEC: -
MATERIAL: -	FINISH: -	APVD: -	APPLICATION SPEC: -	SIZE: A1	CAGE CODE: 00779
CUSTOMER DRAWING			SCALE: 8:1	SHEET: 1 OF 1	REV: 0

DIP ADAPTER, ROUND TOP PIN, LEAD FREE (REF AUGAT 600 SERIES ADAPTER)