



Chipsmall Limited consists of a professional team with an average of over 10 year of expertise in the distribution of electronic components. Based in Hongkong, we have already established firm and mutual-benefit business relationships with customers from,Europe,America and south Asia,supplying obsolete and hard-to-find components to meet their specific needs.

With the principle of “Quality Parts,Customers Priority,Honest Operation,and Considerate Service”,our business mainly focus on the distribution of electronic components. Line cards we deal with include Microchip,ALPS,ROHM,Xilinx,Pulse,ON,Everlight and Freescale. Main products comprise IC,Modules,Potentiometer,IC Socket,Relay,Connector.Our parts cover such applications as commercial,industrial, and automotives areas.

We are looking forward to setting up business relationship with you and hope to provide you with the best service and solution. Let us make a better world for our industry!



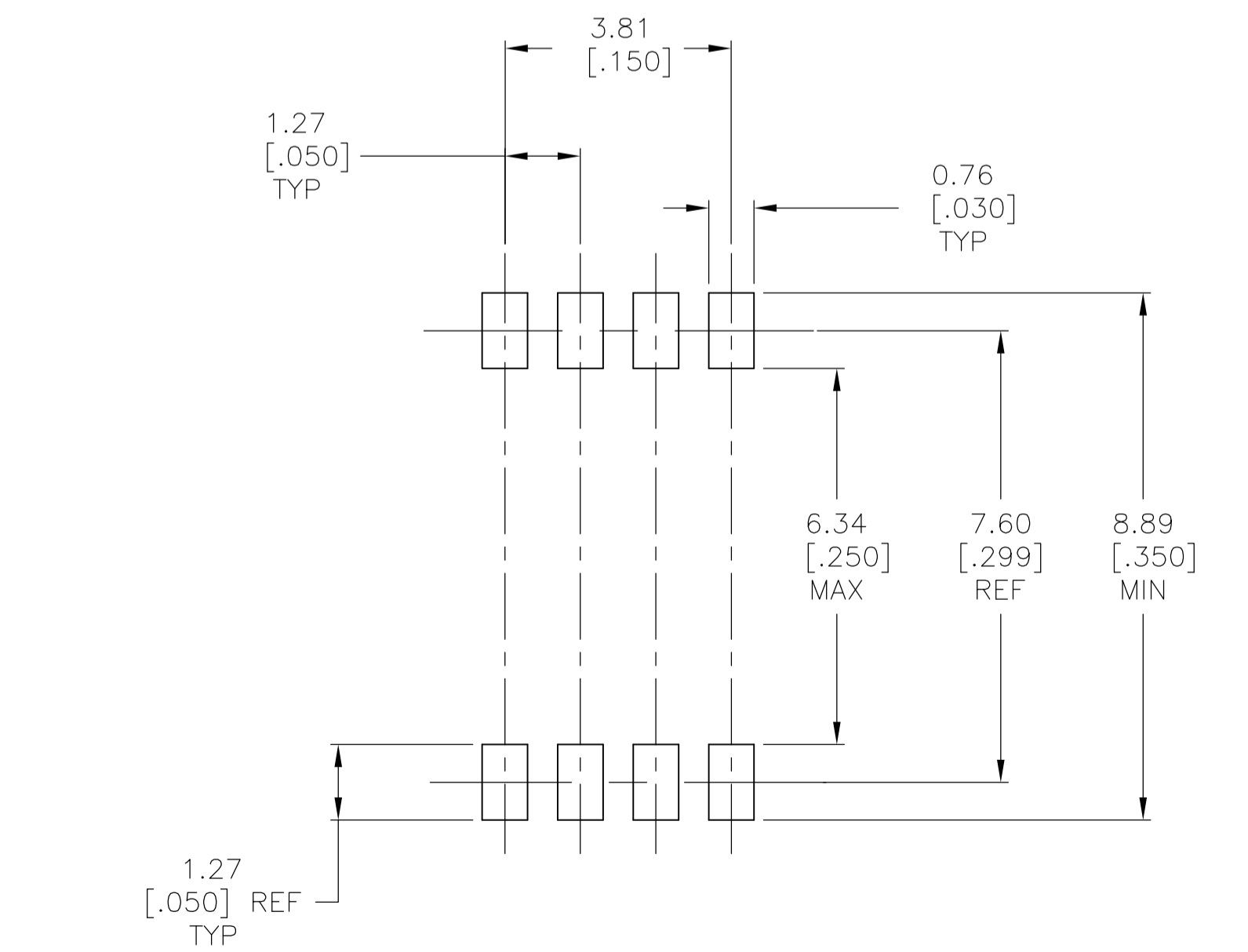
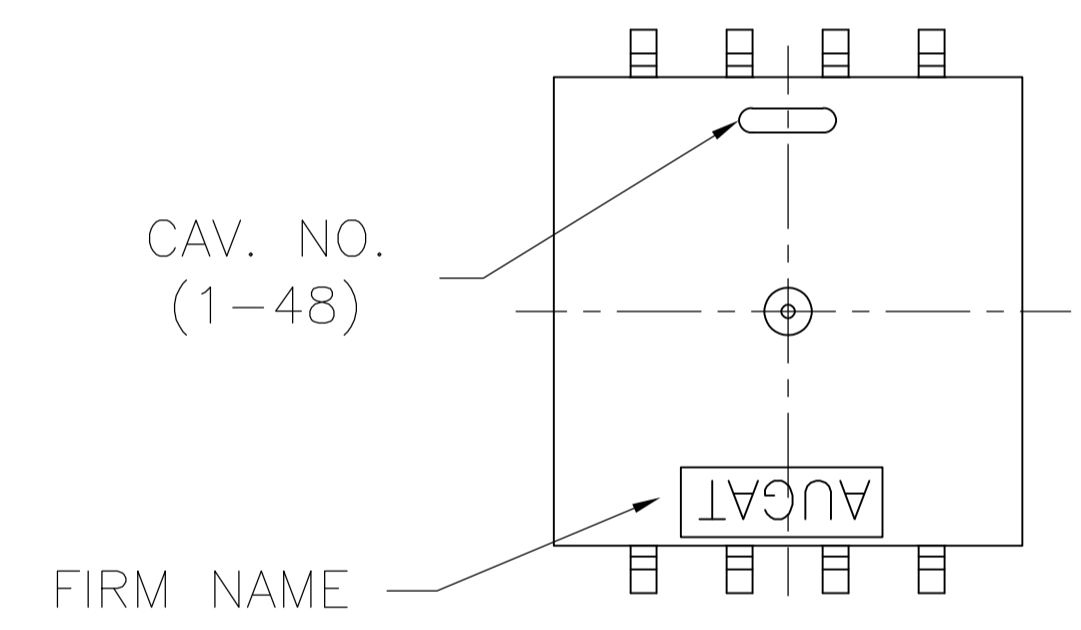
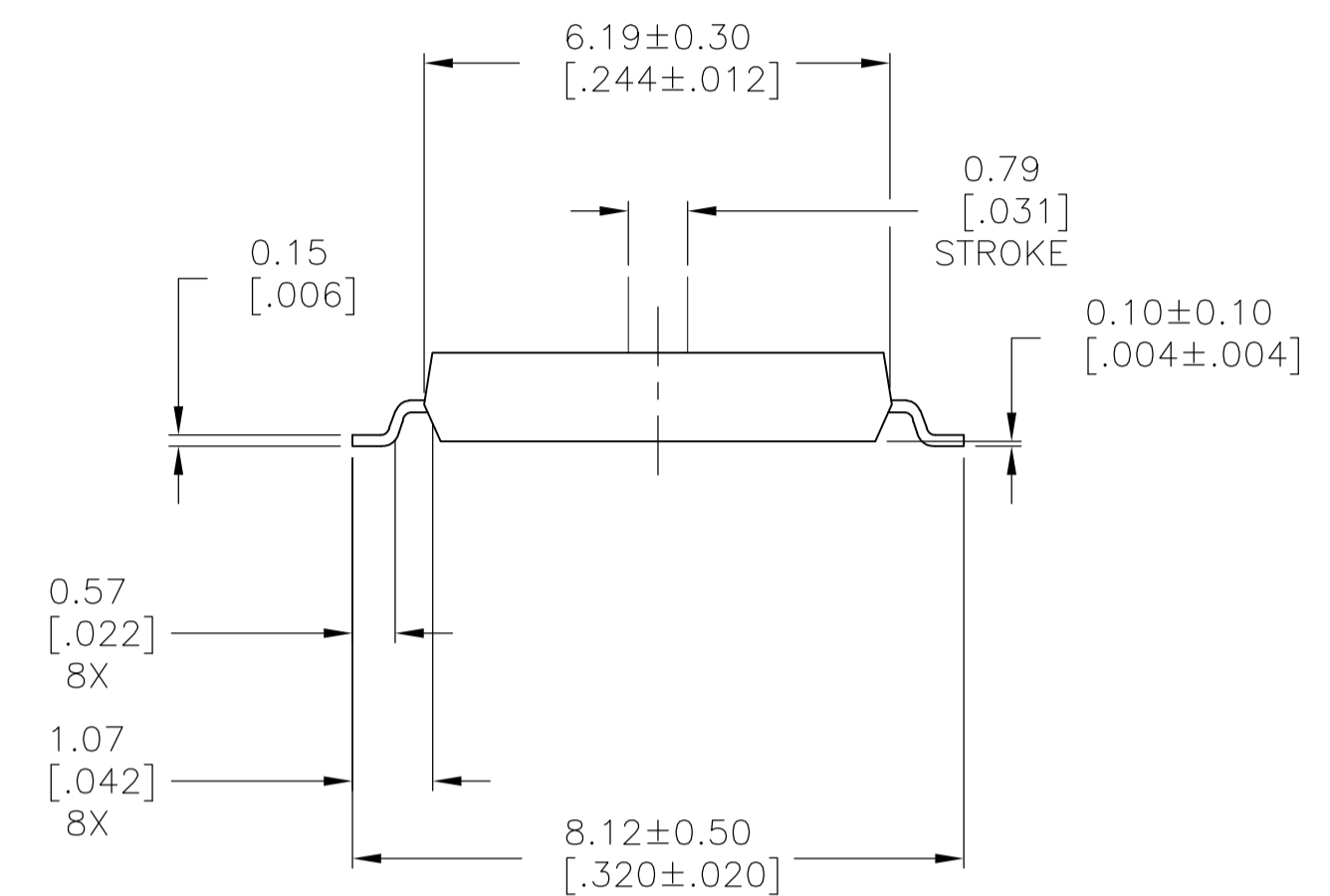
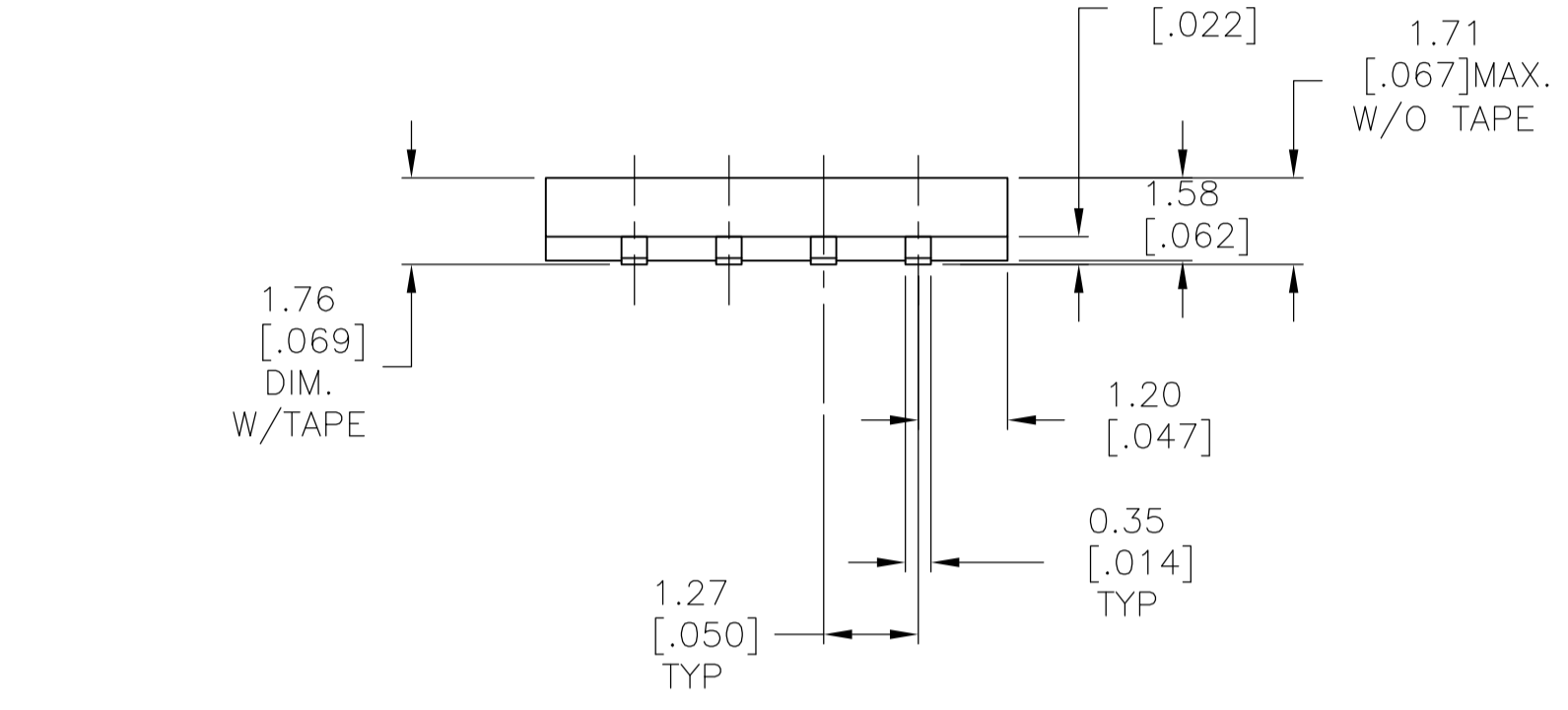
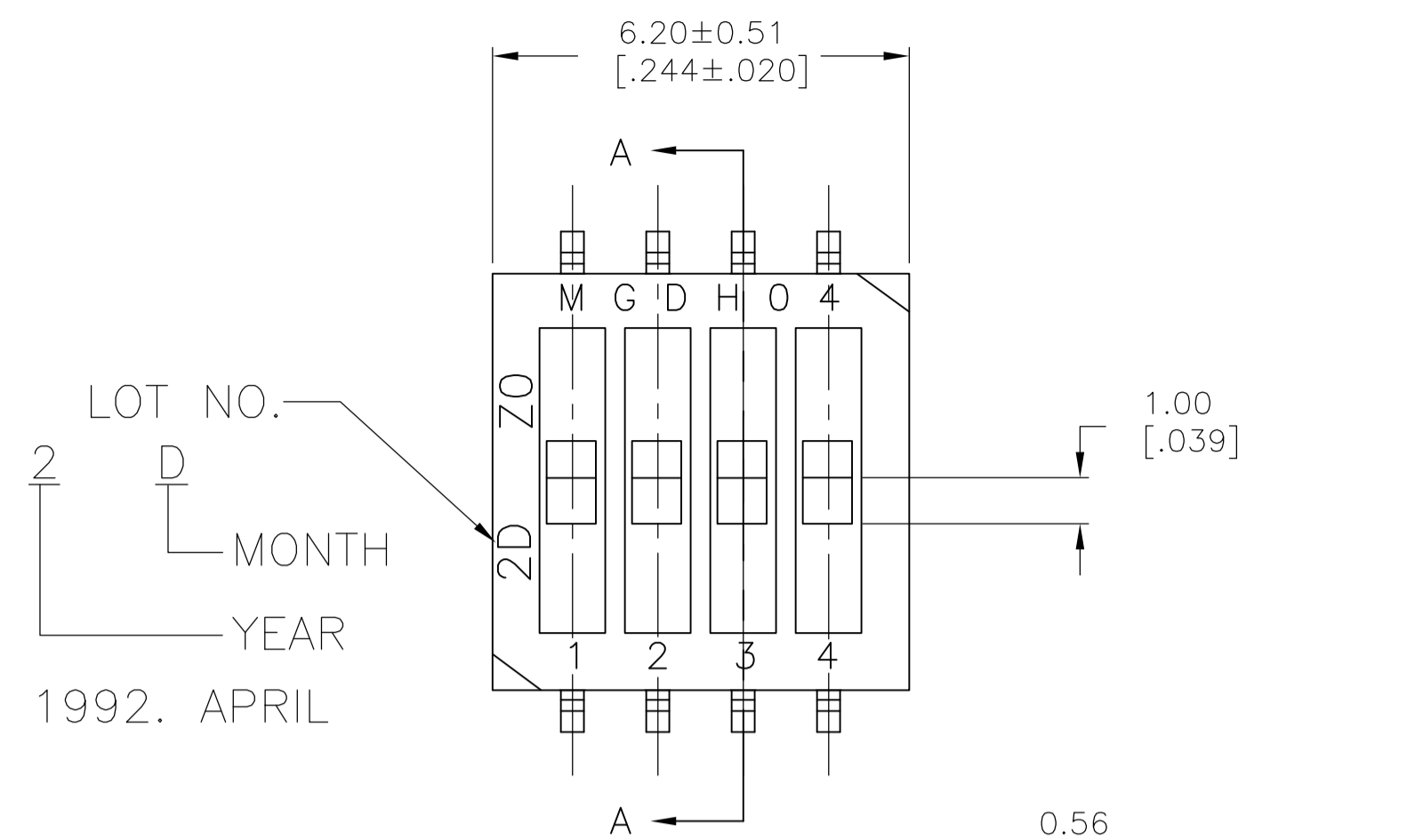
Contact us

Tel: +86-755-8981 8866 Fax: +86-755-8427 6832

Email & Skype: info@chipsmall.com Web: www.chipsmall.com

Address: A1208, Overseas Decoration Building, #122 Zhenhua RD., Futian, Shenzhen, China





RECOMMENDED PAD LAYOUT
TOLERANCE ±.002 UNLESS OTHERWISE NOTED

SPECIFICATIONS:

MATERIALS:

CASE-PPS UL94V-0, BLACK
COVER-PPS UL94V-0, BLACK
ACTUATOR-LCP UL94V-0, WHITE
FIXED CONTACT-COPPER ALLOY, GOLD OVER NICKEL PLATE
MOVING CONTACT-COPPER ALLOY, GOLD OVER NICKEL PLATE
TERMINAL-COPPER ALLOY, GOLD OVER NICKEL PLATE
TAPE SEAL-POLYIMIDE FILM

ELECTRICAL:

CONTACT RATING: NON-SWITCHING: 100 MILLIAMPS @50 VDC
SWITCHING: 25 MILLIAMPS @24 VDC
INITIAL CONTACT RESISTANCE:100 MILLIOHMS MAX. @2 VDC. 10 mA.
INSULATION RESISTANCE: 100 MEGOHMS MIN AT 100 VDC
DIELECTRIC STRENGTH: 300 VAC, 1 MINUTE.
LIFE EXPECTANCY: 1,000 CYCLES MIN.

MECHANICAL:

ACTUATION FORCE: 600g MAX.

ENVIRONMENTAL:

OPERATING TEMPERATURE: -30°C TO +85°C
STORAGE TEMPERATURE: -45°C TO +100°C
SOLDER HEAT RESISTANCE PER 109-201, CONDITION B SWITCH IN OFF POSITION
SOLDERABILITY PER JIS C 0050 & JIS C 0053

- SUPPLIED WITH TAPE SEAL STANDARD
- SWITCH IS TO HAVE OVERALL HEIGHT AS SHOWN
- ITEM TO BE PACKAGED IN TUBES, QUANTITY PER TUBE=70
- SWITCH SHALL BE MARKED AS SHOWN
- ALL MATERIALS AND FINISHES SHALL COMPLY WITH EU DIRECTIVE 2002/95/EC OF 27JAN2003 (ROHS)
- TAPE AND REEL PACKAGING PER EIA-481

2000	T&R	MGDH04STR04	1825140-2
70	TUBE	MGDH04S04	1825140-1
QTY	PACKAGING	T&B P/N	TE P/N

THIS DRAWING IS A CONTROLLED DOCUMENT.		DIN S VISWESWARA		M.S.SARVER		M.S.SARVER		M.S.SARVER	
DIMENSIONS: mm [INCHES]		TOLERANCES UNLESS OTHERWISE SPECIFIED:		PRODUCT SPEC		APPLICATION SPEC		RESTRICTED TO	
0 PLC ± -		1 PLC ± -		2 PLC ± 0.25[010]		3 PLC ± -		SIZE	
4 PLC ± -		ANGLES ± -		WEIGHT		A1 00779		DRAWING NO	
MATERIAL		FINISH		CUSTOMER DRAWING		SCALE 10:1		SHEET 1 OF 1	
						1825140		REV 05	