



Chipsmall Limited consists of a professional team with an average of over 10 year of expertise in the distribution of electronic components. Based in Hongkong, we have already established firm and mutual-benefit business relationships with customers from,Europe,America and south Asia,supplying obsolete and hard-to-find components to meet their specific needs.

With the principle of “Quality Parts,Customers Priority,Honest Operation,and Considerate Service”,our business mainly focus on the distribution of electronic components. Line cards we deal with include Microchip,ALPS,ROHM,Xilinx,Pulse,ON,Everlight and Freescale. Main products comprise IC,Modules,Potentiometer,IC Socket,Relay,Connector.Our parts cover such applications as commercial,industrial, and automotives areas.

We are looking forward to setting up business relationship with you and hope to provide you with the best service and solution. Let us make a better world for our industry!



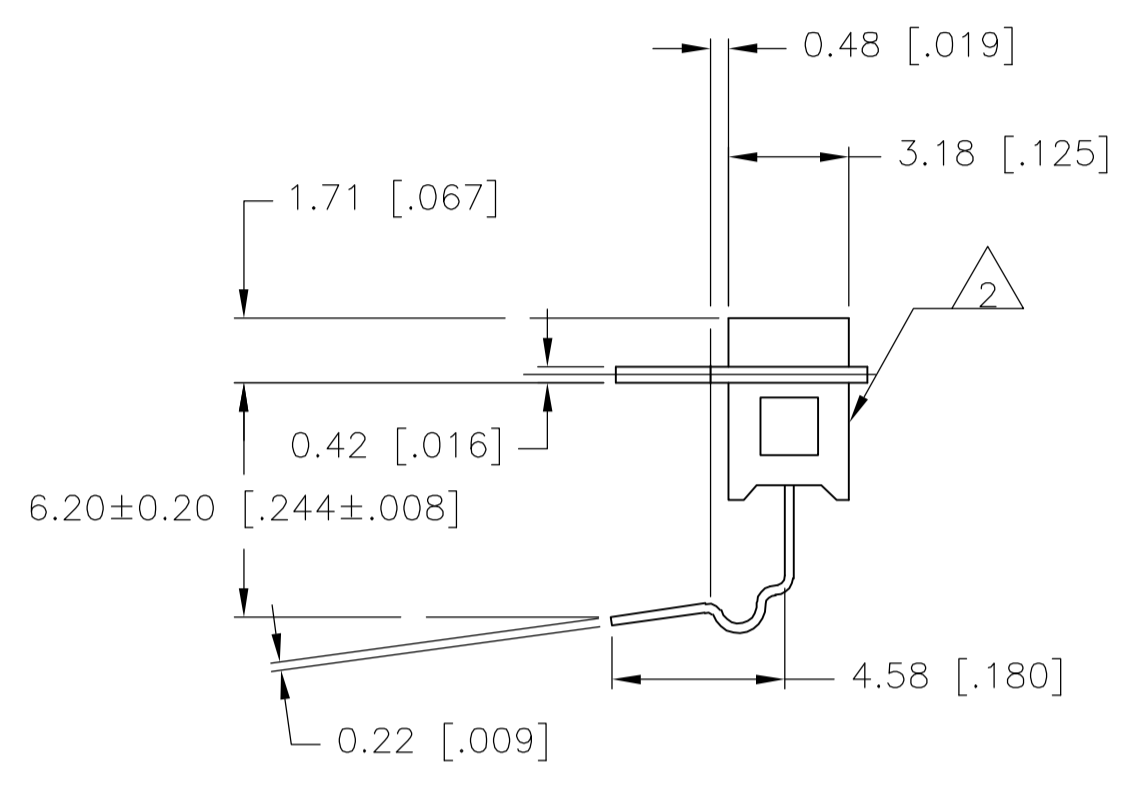
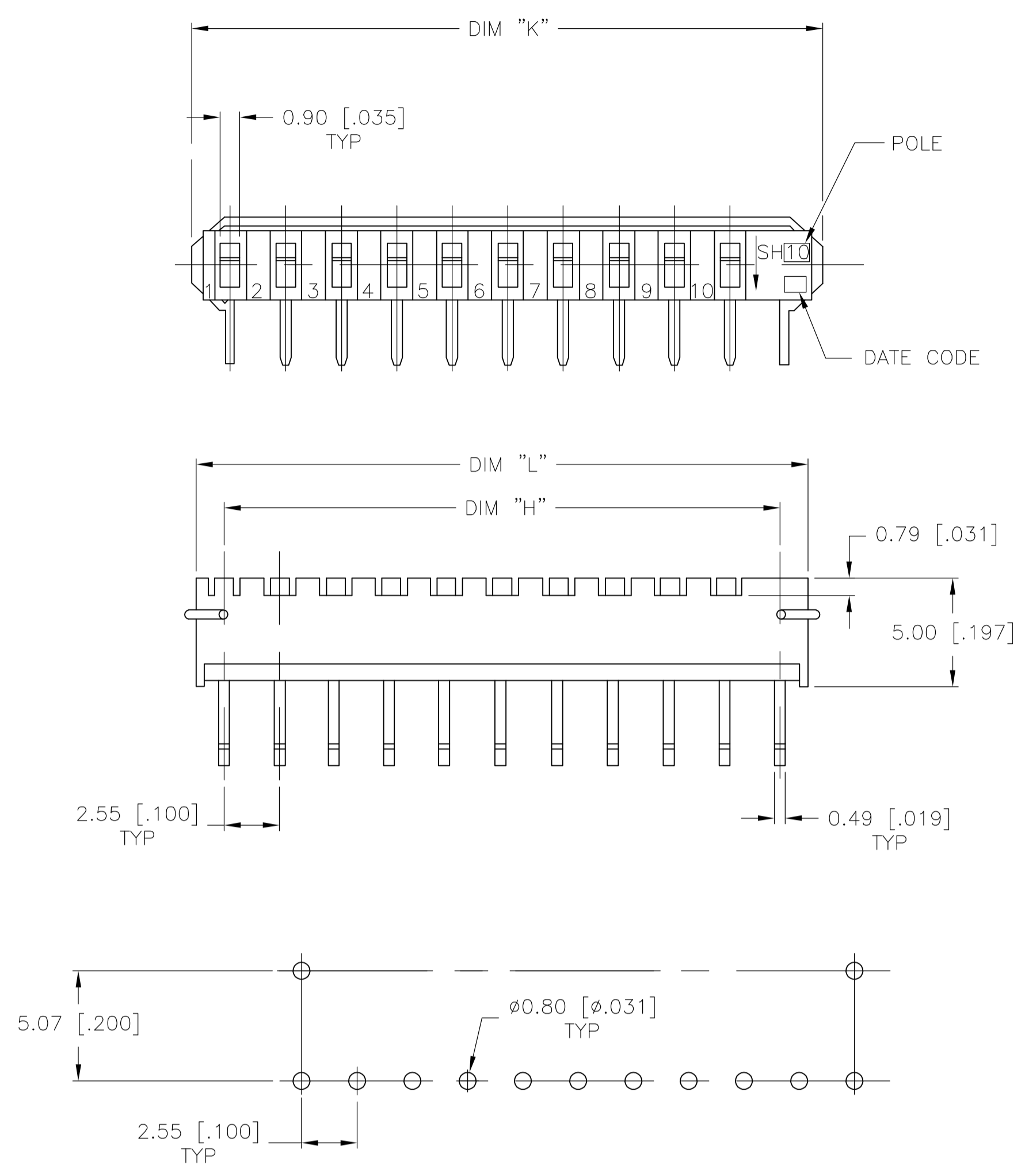
Contact us

Tel: +86-755-8981 8866 Fax: +86-755-8427 6832

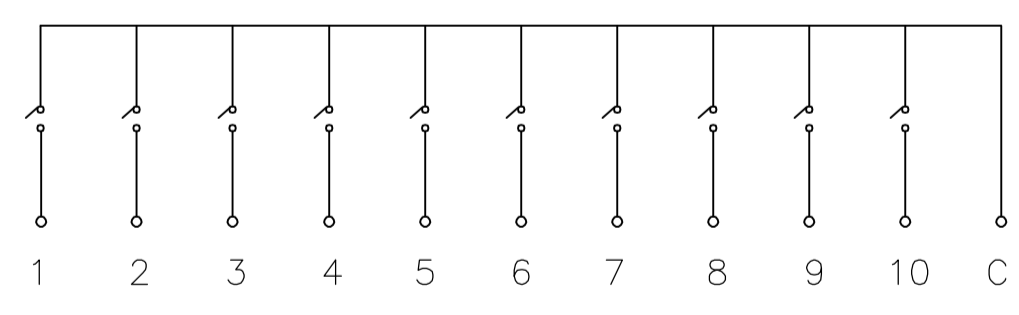
Email & Skype: info@chipsmall.com Web: www.chipsmall.com

Address: A1208, Overseas Decoration Building, #122 Zhenhua RD., Futian, Shenzhen, China





RECOMMENDED PCB HOLE LAYOUT



CIRCUIT

SPECIFICATIONS:

MATERIALS:
 BASE: PPS UL94V-0, BLACK
 COVER: PPS UL94V-0, BLACK
 ACTUATOR: 4/6 NYLON UL94V-0, WHITE
 MOVING CONTACT: COPPER ALLOY, GOLD OVER NICKEL
 FIXED CONTACT/TERMINAL- COPPER ALLOY, GOLD OVER NICKEL

ELECTRICAL:
 CONTACT RATING: .4VA@20V DC MAX
 CONTACT RESISTANCE: 50 MILLIOHMS MAX
 INSULATION RESISTANCE: 100 MEGOHMS MIN AT 100V DC
 DIELECTRIC STRENGTH: 500V AC RMS @ SEA LEVEL
 LIFE EXPECTANCY: 1,000 CYCLES

MECHANICAL:
 ACTUATION FORCE: 800 GRAMS MAX
 TRAVEL: .050

ENVIRONMENTAL:
 OPERATING TEMPERATURE: -30° TO +85°C
 STORAGE TEMPERATURE: -45° TO +100°C
 RESISTANCE TO SOLDER HEAT: 265±3°C FOR 8±2 SECONDS
 SOLDERABILITY PER JIS C 0050 & JIS C 0053

NOTES:

- ALL MATERIALS AND FINISHES SHALL COMPLY WITH EU DIRECTIVE 2002/95/EC OF 27JAN2003 (ROHS)
- MARK "ALCO" ON THIS SURFACE.

28.91[1.138]	25.40[1.000]	27.89[1.098]	SSH10	1825153-5
23.83[.938]	20.32[.800]	22.81[.898]	SSH08	1825153-4
18.75[.738]	15.24[.600]	17.73[.698]	SSH06	1825153-3
13.67[.538]	10.16[.400]	12.65[.498]	SSH04	1825153-2
8.59[.338]	5.08[.200]	7.57[.298]	SSH02	1825153-1
DIM "K"	DIM "H"	DIM "L"	T&B P/N	TYCO P/N

THIS DRAWING IS A CONTROLLED DOCUMENT.

DIMENSIONS: mm [INCHES]	TOLERANCES UNLESS OTHERWISE SPECIFIED: 0 PLC ± - 1 PLC ± - 2 PLC ± - 3 PLC ± ± 0.25[0.010] 4 PLC ± ± - ANGLES ± ± -	FINISH -	WEIGHT -	SCALE 5:1	SHEET 1 OF 1	REV A1
----------------------------	---	----------	----------	-----------	--------------	--------

APPROVED: M. S. SARVER

PRODUCT SPEC: ASSEMBLY-SIP SWITCH (SSH02-10 SERIES)

APPLICATION SPEC: A1 00779 C=1825153

RESTRICTED TO CUSTOMER DRAWING

tyco Electronics Corporation
 Harrisburg, PA 17105-3608

SUPERSEDED
NOT THE LATEST REVISION