



Chipsmall Limited consists of a professional team with an average of over 10 year of expertise in the distribution of electronic components. Based in Hongkong, we have already established firm and mutual-benefit business relationships with customers from,Europe,America and south Asia,supplying obsolete and hard-to-find components to meet their specific needs.

With the principle of “Quality Parts,Customers Priority,Honest Operation,and Considerate Service”,our business mainly focus on the distribution of electronic components. Line cards we deal with include Microchip,ALPS,ROHM,Xilinx,Pulse,ON,Everlight and Freescale. Main products comprise IC,Modules,Potentiometer,IC Socket,Relay,Connector.Our parts cover such applications as commercial,industrial, and automotives areas.

We are looking forward to setting up business relationship with you and hope to provide you with the best service and solution. Let us make a better world for our industry!



Contact us

Tel: +86-755-8981 8866 Fax: +86-755-8427 6832

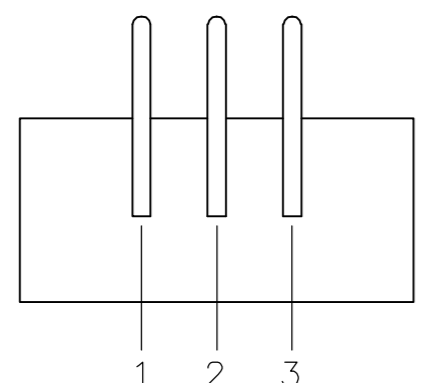
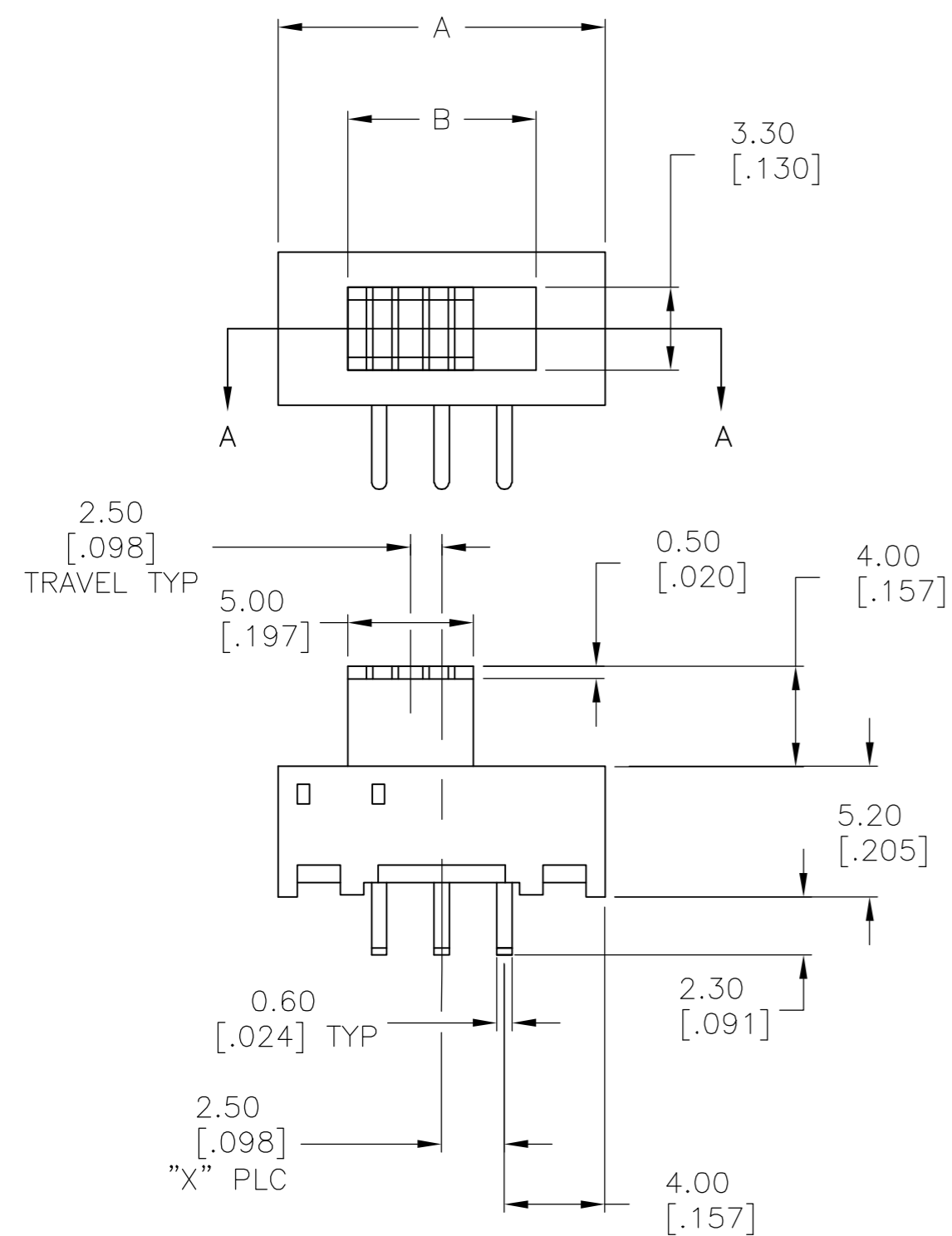
Email & Skype: info@chipsmall.com Web: www.chipsmall.com

Address: A1208, Overseas Decoration Building, #122 Zhenhua RD., Futian, Shenzhen, China

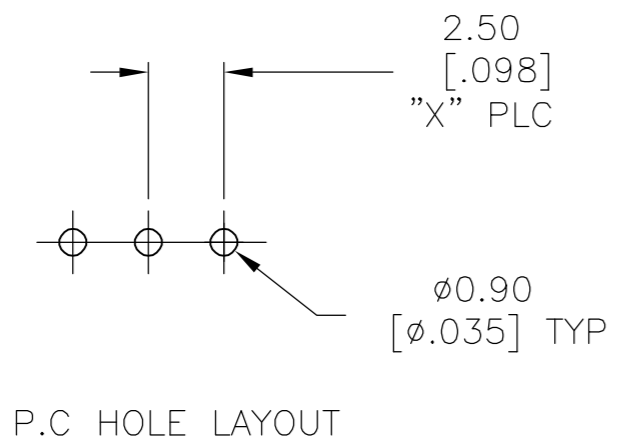


THIS DRAWING IS UNPUBLISHED. RELEASED FOR PUBLICATION
 © COPYRIGHT BY TYCO ELECTRONICS CORPORATION. ALL RIGHTS RESERVED.

Loc		DIST		REVISIONS			
P	LTR	DESCRIPTION		DATE	DWN	APVD	
	A1	ECO-06-029077		05FEB2007	RB	MS	



1825160-1 AS SHOWN



SPECIFICATIONS:
 MAKE-BEFORE-BREAK

MATERIALS:
 FRAME: STEEL, ZINC PLATE
 ACTUATOR: POM UL94HB, BLACK
 FIXED CONTACT/TERMINAL: COPPER ALLOY,
 SILVER OVER NICKEL PLATE
 MOVING CONTACT: COPPER ALLOY, SILVER CLAD
 COIL SPRING: TEMPERED STEEL WIRE
 BALL- TEMPERED CARBON STEEL
 TERMINAL BOARD: PHENOLIC, UL94HB
 TERMINAL SEAL: PHENOLIC RESIN

ELECTRICAL:
 CONTACT RATING: 250 MILLIAMPS@125V AC
 CONTACT RESISTANCE: 30 MILLIOHMS MAX (INITIAL),
 60 MILLIOHMS AFTER TEST
 INSULATION RESISTANCE: 500 MEGOHMS MIN AT 500V DC
 DIELECTRIC STRENGTH: 500 VAC RMS AT SEA LEVEL
 LIFE EXPECTANCY: 10,000 CYCLES MIN. NO LOAD

MECHANICAL:
 ACTUATION FORCE: 250 +150/-100 GRAMS
 TRAVEL: 2.49 (.098)

ENVIRONMENTAL:
 OPERATING TEMPERATURE: -10 TO +60 DEGREES C
 STORAGE TEMPERATURE: -10 TO +60 DEGREES C
 RESISTANCE TO SOLDER HEAT: 260 C FOR 10 SEC PER 109-202,
 COND. B
 SOLDERABILITY: PER EIA-364-56A, PROCEDURE 3, COND. B

- NOTES:
- ALL MATERIALS AND FINISHES SHALL COMPLY WITH EU DIRECTIVE 2002/95/EC OF 27JAN2003 (ROHS)
 - SEE SHEET 2 FOR FUNCTION DIAGRAM
 - ALL PERFORMANCE SPECIFICATIONS WERE TESTED IN ACCORDANCE WITH JIS-C-5441 UNLESS OTHERWISE STATED.

6	17.50[.689]	23.01[.906]	SP6T	STS161RA04	1825160-5
5	15.01[.591]	20.50[.807]	SP5T	STS151RA04	1825160-4
4	12.50[.492]	18.01[.709]	SP4T	STS141RA04	1825160-3
3	10.01[.394]	15.50[.610]	SP3T	STS131RA04	1825160-2
2	7.49[.295]	13.00[.512]	SPDT	STS121RA04	1825160-1
X PLC	DIM B	DIM A	FUNCTION	T&B PART NUMBER	TYCO PART NUMBER

THIS DRAWING IS A CONTROLLED DOCUMENT.		DWN B.S.VISWESWARA 16MAR05	Tyco Electronics Corporation 's-Hertogenbosch,5222AR-32		
DIMENSIONS: mm [INCHES]	TOLERANCES UNLESS OTHERWISE SPECIFIED:	CHK M.S.SARVER	APVD -	NAME	
0 PLC ± -	1 PLC ± -	PRODUCT SPEC	SLIDE SWITCH, STS121RA TO STS161RA SERIES		
2 PLC ± 0.20 [.008]	3 PLC ± -	APPLICATION SPEC	SIZE	CAGE CODE	DRAWING NO
4 PLC ± -	ANGLES ± -	WEIGHT	A2	00779	C=1825160
MATERIAL	FINISH	CUSTOMER DRAWING	SCALE	SHEET	REV
-	-		4:1	1 OF 2	A1

1825160

A

THIS DRAWING IS UNPUBLISHED. RELEASED FOR PUBLICATION
 © COPYRIGHT BY TYCO ELECTRONICS CORPORATION. ALL RIGHTS RESERVED.

LOC	DIST	REVISIONS			
P	LTR	DESCRIPTION	DATE	DWN	APVD
AD	00	SEE SHEET 1	-	-	-

PART NUMBER

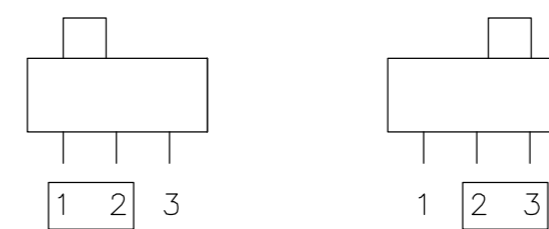
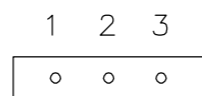
FUNCTION

BOTTOM VIEW

FUNCTION DIAGRAM

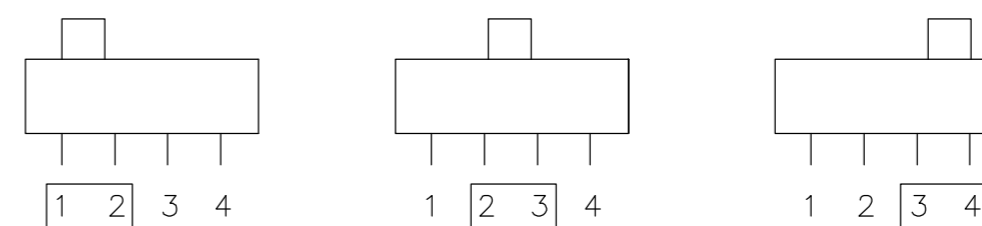
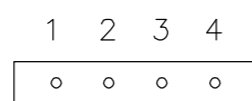
1825160-1

SPDT



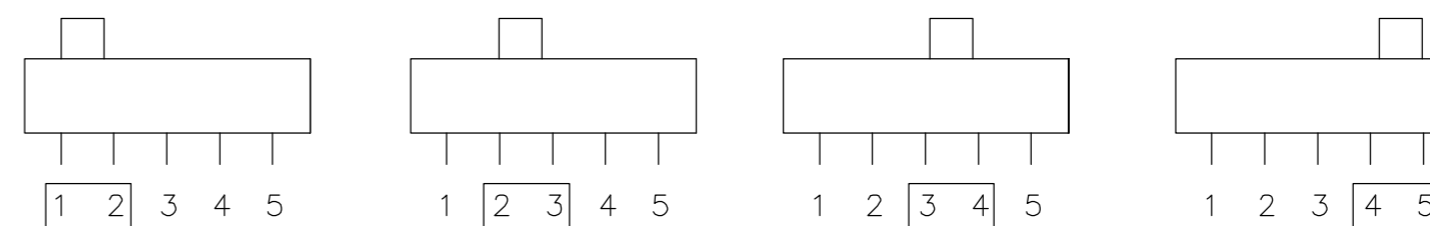
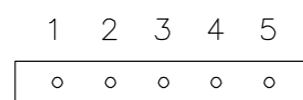
1825160-2

SP3T



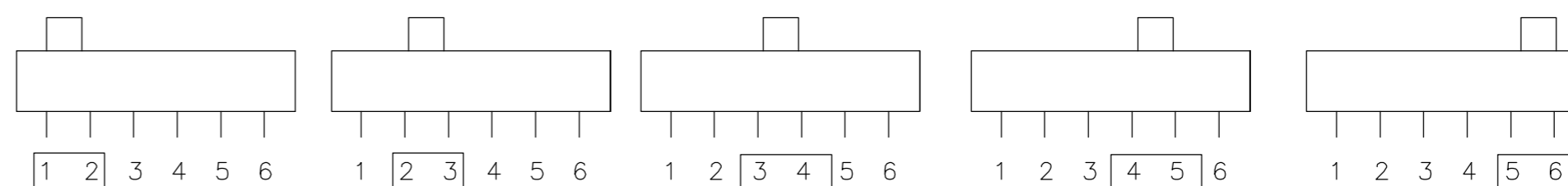
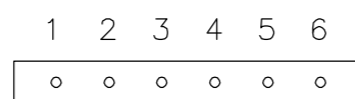
1825160-3

SP4T



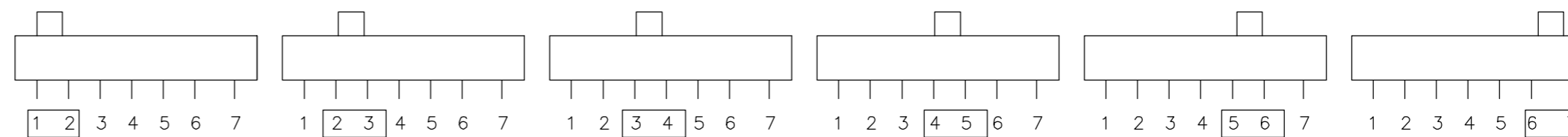
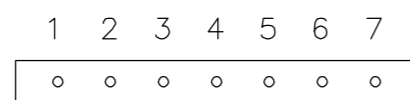
1825160-4

SP5T



1825160-5

SP6T



THIS DRAWING IS A CONTROLLED DOCUMENT.		DWN B.S.VISWESWARA	16MAR05	 Tyco Electronics Corporation 's-Hertogenbosch,5222AR-32
DIMENSIONS: mm [INCHES]		CHK M.S.SARVER	APVD -	
		TOLERANCES UNLESS OTHERWISE SPECIFIED: 0 PLC ± - 1 PLC ± - 2 PLC ± 0.20 [.008] 3 PLC ± - 4 PLC ± - ANGLES ± - FINISH -		NAME PRODUCT SPEC APPLICATION SPEC WEIGHT -
MATERIAL -		SIZE A2 CAGE CODE 00779 DRAWING NO C=1825160		RESTRICTED TO -
CUSTOMER DRAWING			SCALE 1:1	SHEET 2 OF 2
			REV A1	

1825160