



Chipsmall Limited consists of a professional team with an average of over 10 year of expertise in the distribution of electronic components. Based in Hongkong, we have already established firm and mutual-benefit business relationships with customers from,Europe,America and south Asia,supplying obsolete and hard-to-find components to meet their specific needs.

With the principle of "Quality Parts,Customers Priority,Honest Operation,and Considerate Service",our business mainly focus on the distribution of electronic components. Line cards we deal with include Microchip,ALPS,ROHM,Xilinx,Pulse,ON,Everlight and Freescale. Main products comprise IC,Modules,Potentiometer,IC Socket,Relay,Connector.Our parts cover such applications as commercial,industrial, and automotives areas.

We are looking forward to setting up business relationship with you and hope to provide you with the best service and solution. Let us make a better world for our industry!



Contact us

Tel: +86-755-8981 8866 Fax: +86-755-8427 6832

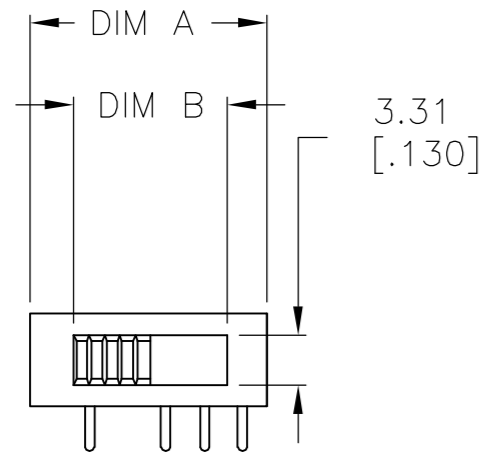
Email & Skype: info@chipsmall.com Web: www.chipsmall.com

Address: A1208, Overseas Decoration Building, #122 Zhenhua RD., Futian, Shenzhen, China



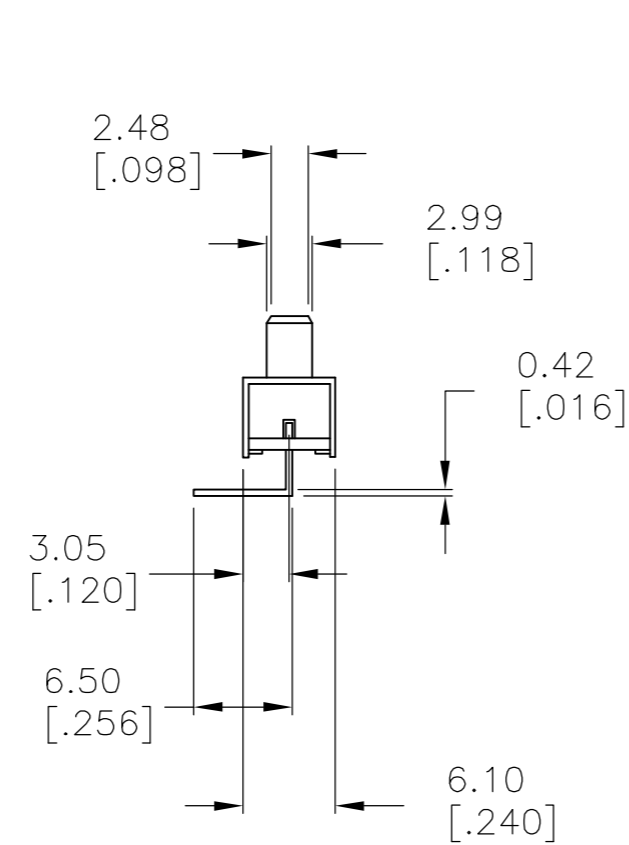
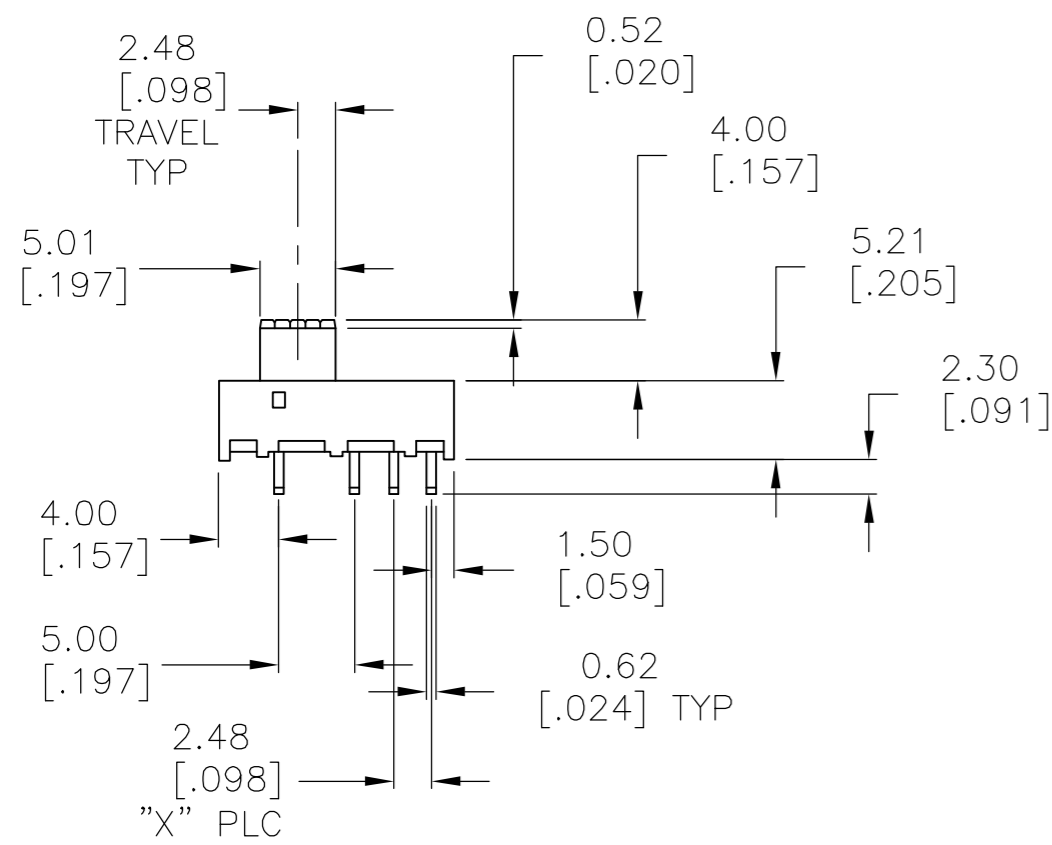
THIS DRAWING IS UNPUBLISHED. RELEASED FOR PUBLICATION
 © COPYRIGHT BY TYCO ELECTRONICS CORPORATION. ALL RIGHTS RESERVED.

LOC		DIST		REVISIONS			
P	LTR	DESCRIPTION	DATE	DWN	APVD		
AD	00	A1	ECO-06-029077	06FEB2007	RB	MS	



SPECIFICATIONS:
 MAKE-BEFORE-BREAK

MATERIALS:
 FRAME: STEEL, ZINC PLATE
 ACTUATOR: POM UL94HB, BLACK
 FIXED CONTACT/TERMINAL: COPPER ALLOY,
 SILVER OVER NICKEL PLATE
 MOVING CONTACT: COPPER ALLOY, SILVER CLAD
 COIL SPRING: TEMPERED STEEL WIRE
 BALL- TEMPERED CARBON STEEL
 TERMINAL BOARD: PHENOLIC, UL94HB
 TERMINAL SEAL: EPOXY



ELECTRICAL:
 CONTACT RATING: 250 MILLIAMPS@125V AC
 CONTACT RESISTANCE: 30 MILLIOHMS MAX (INITIAL),
 60 MILLIOHMS AFTER TEST
 INSULATION RESISTANCE: 500 MEGOHMS MIN AT 500V DC
 DIELECTRIC STRENGTH: 500 VAC RMS AT SEA LEVEL
 LIFE EXPECTANCY: 10,000 CYCLES MIN. NO LOAD

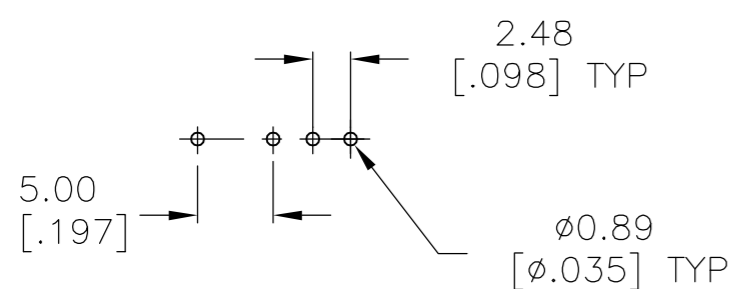
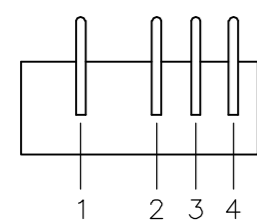
MECHANICAL:
 ACTUATION FORCE: 250 +150/-100 GRAMS
 TRAVEL: 2.49 (.098)

ENVIRONMENTAL:
 OPERATING TEMPERATURE: -10° TO +60°C
 STORAGE TEMPERATURE: -10° TO +60°C
 RESISTANCE TO SOLDER HEAT: 260°C FOR 10 SEC PER 109-202, COND. B
 SOLDERABILITY: PER EIA-364-56A, PROCEDURE 3, COND. B

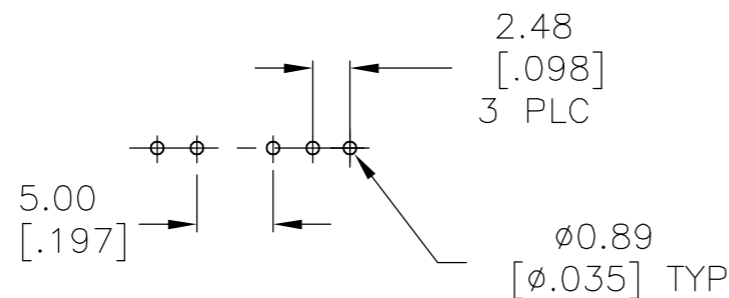
NOTES:

- ALL MATERIALS AND FINISHES SHALL COMPLY WITH EU DIRECTIVE 2002/95/EC OF 27JAN2003 (ROHS)
- ALL PERFORMANCE SPECIFICATIONS WERE TESTED IN ACCORDANCE WITH JIS-C-5441 UNLESS OTHERWISE STATED.

1825162-1 AS SHOWN



P.C. HOLE LAYOUT
 (1825162-1)



P.C. HOLE LAYOUT
 (1825162-2)

1-3	2-3	3-4	3-5	-	-	-	1 2 3 4 5	3	12.50[.492]	18.01[.709]	SP4T	STS1400RA04	1825162-2
-	-	-	-	1-2	2-3	2-4	1 2 3 4	2	10.01[.394]	15.50[.610]	SP3T	STS1300RA04	1825162-1
FUNCTION DIAGRAM							BOTTOM VIEW	X PLC	DIM B	DIM A	FUNCTION	T&B P/N	TYCO P/N

THIS DRAWING IS A CONTROLLED DOCUMENT.

DIMENSIONS: mm [INCHES]	TOLERANCES UNLESS OTHERWISE SPECIFIED: 0 PLC ± - 1 PLC ± - 2 PLC ± 0.20[.008] 3 PLC ± - 4 PLC ± - ANGLES ± -	DWN B.S.VISWESWARA CHK M S SARVER APVD -	01APR05 Tyco Electronics Corporation Harrisburg, Pa 17105-3608
MATERIAL -	FINISH -	PRODUCT SPEC APPLICATION SPEC WEIGHT -	NAME SLIDE SWITCH, STS1300RA & STS1400RA SERIES
CUSTOMER DRAWING		SCALE 2:1	SHEET 1 OF 1

SIZE: A2 CAGE CODE: 00779 DRAWING NO: 1825162 RESTRICTED TO: -
 REV: A1

1825162

A