



Chipsmall Limited consists of a professional team with an average of over 10 year of expertise in the distribution of electronic components. Based in Hongkong, we have already established firm and mutual-benefit business relationships with customers from,Europe,America and south Asia,supplying obsolete and hard-to-find components to meet their specific needs.

With the principle of “Quality Parts,Customers Priority,Honest Operation,and Considerate Service”,our business mainly focus on the distribution of electronic components. Line cards we deal with include Microchip,ALPS,ROHM,Xilinx,Pulse,ON,Everlight and Freescale. Main products comprise IC,Modules,Potentiometer,IC Socket,Relay,Connector.Our parts cover such applications as commercial,industrial, and automotives areas.

We are looking forward to setting up business relationship with you and hope to provide you with the best service and solution. Let us make a better world for our industry!



Contact us

Tel: +86-755-8981 8866 Fax: +86-755-8427 6832

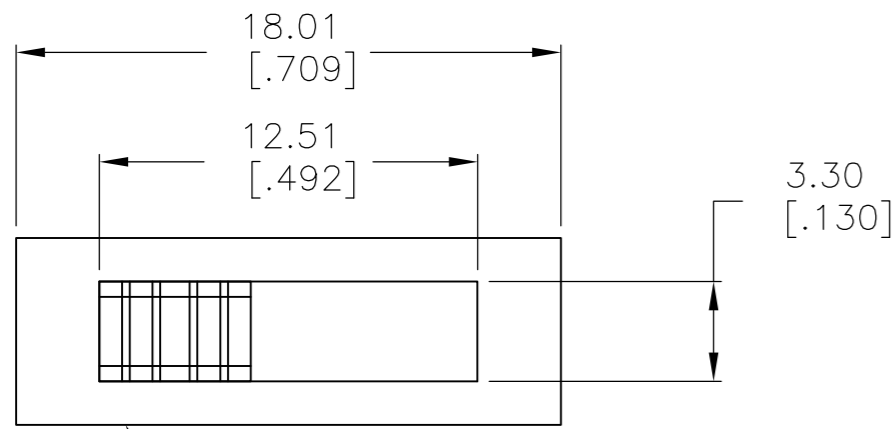
Email & Skype: info@chipsmall.com Web: www.chipsmall.com

Address: A1208, Overseas Decoration Building, #122 Zhenhua RD., Futian, Shenzhen, China

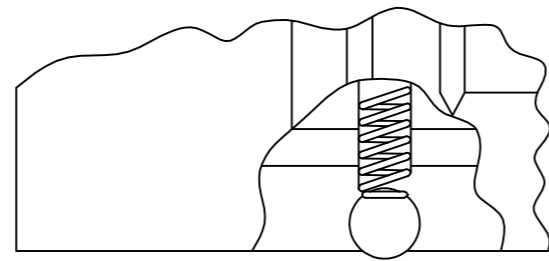


THIS DRAWING IS UNPUBLISHED. RELEASED FOR PUBLICATION
 © COPYRIGHT - By - ALL RIGHTS RESERVED.

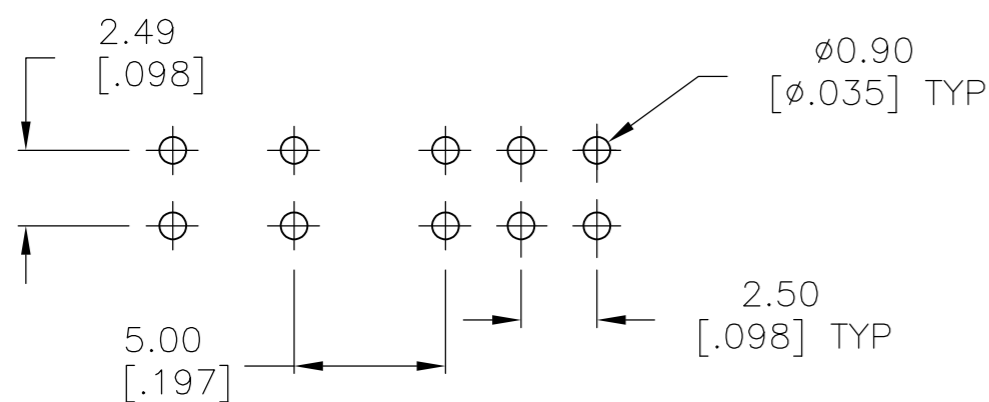
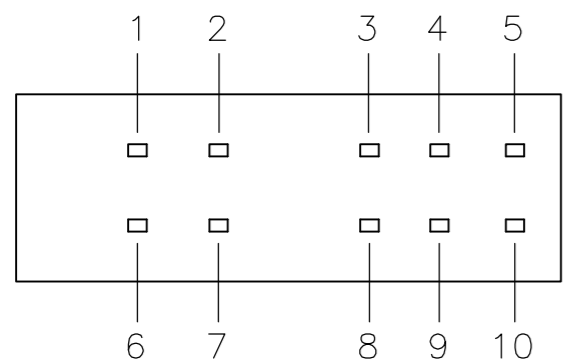
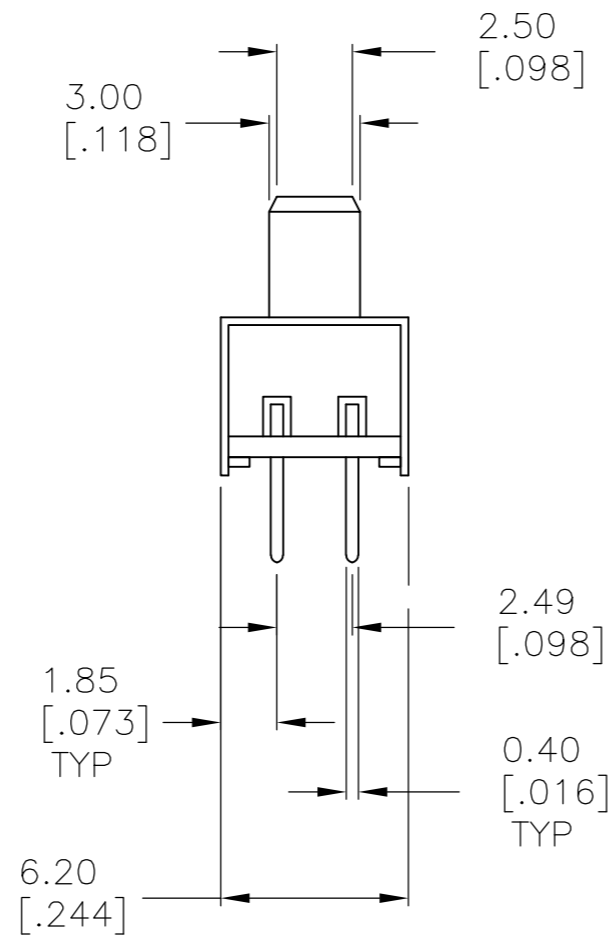
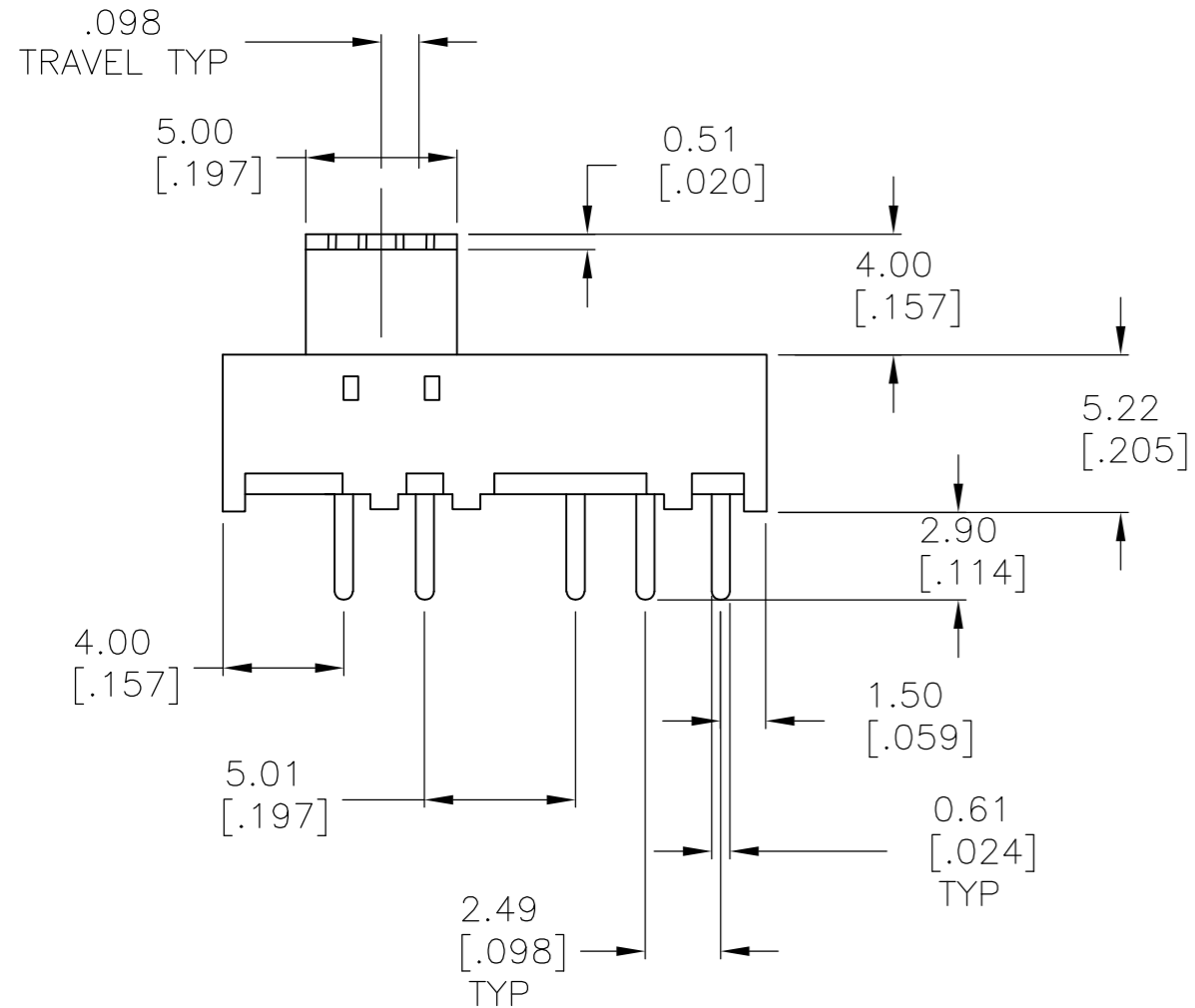
LOC		DIST		REVISIONS			
P	LTR	DESCRIPTION		DATE	DWN	APVD	
AD	00	A2	REVISED PER ECO-11-004917		11MAR11	RK	HMR



SEE DETAIL A



DETAIL A



RECOMENDED HOLE LAYOUT
 TOLERANCE ± 0.002 UNLESS OTHERWISE NOTED

SPECIFICATIONS:
 MAKE-BEFORE-BREAK

MATERIALS:
 FRAME: STEEL, ZINC PLATE
 ACTUATOR: POM UL94HB, BLACK
 FIXED CONTACT/TERMINAL: COPPER ALLOY, SILVER OVER NICKEL PLATE
 MOVING CONTACT: COPPER ALLOY, SILVER CLAD
 COIL SPRING: TEMPERED STEEL WIRE
 BALL- TEMPERED CARBON STEEL
 TERMINAL BOARD: PHENOLIC, UL94HB
 TERMINAL SEAL: EPOXY

ELECTRICAL:
 CONTACT RATING: 250 MILLIAMPS@125V AC
 CONTACT RESISTANCE: 30 MILLIOHMS MAX (INITIAL), 60 MILLIOHMS AFTER TEST
 INSULATION RESISTANCE: 500 MEGOHMS MIN AT 500V DC
 DIELECTRIC STRENGTH: 500 VAC RMS AT SEA LEVEL
 LIFE EXPECTANCY: 10,000 CYCLES MIN. NO LOAD

MECHANICAL:
 +150
 ACTUATION FORCE: 250-100 GRAMS
 TRAVEL: 2.49 [.098]

ENVIRONMENTAL:
 OPERATING TEMPERATURE: -10° C TO +60° C
 STORAGE TEMPERATURE: -10° C TO +60° C
 RESISTANCE TO SOLDER HEAT: 260° C FOR 10 SEC PER 109-202, COND. B
 SOLDERABILITY: PER EIA-364-56A, PROCEDURE 3, COND. B

- NOTES:
- ALL MATERIALS AND FINISHES SHALL COMPLY WITH EU DIRECTIVE 2002/95/EC OF 27JAN2003 (ROHS)
 - ALL PERFORMANCE SPECIFICATIONS WERE TESTED IN ACCORDANCE WITH JIS-C-5441 UNLESS OTHERWISE STATED.

1-3 6-8	2-3 7-8	3-4 8-9	3-5 8-10	<table border="1"> <tr><td>1</td><td>2</td><td>3</td><td>4</td><td>5</td></tr> <tr><td>•</td><td>•</td><td>•</td><td>•</td><td>•</td></tr> <tr><td>•</td><td>•</td><td>•</td><td>•</td><td>•</td></tr> <tr><td>6</td><td>7</td><td>8</td><td>9</td><td>10</td></tr> </table>	1	2	3	4	5	•	•	•	•	•	•	•	•	•	•	6	7	8	9	10	DP4T	STS2400PC04	1825165-1
1	2	3	4	5																							
•	•	•	•	•																							
•	•	•	•	•																							
6	7	8	9	10																							
				BOTTOM VIEW	FUNCTION	T&B PART NUMBER	PART NUMBER																				
FUNCTION DIAGRAM																											

THIS DRAWING IS A CONTROLLED DOCUMENT.		DWN B.S.VISWESWARA	18MAR05	TE Connectivity																					
DIMENSIONS: mm [INCHES]		CHK M.S.SARVER	APVD -					NAME SLIDE SWITCH (DP4T) STS2400PC SERIES																	
TOLERANCES UNLESS OTHERWISE SPECIFIED:		PRODUCT SPEC -		APPLICATION SPEC -																					
<table border="1"> <tr><td>0 PLC</td><td>±</td><td>-</td></tr> <tr><td>1 PLC</td><td>±</td><td>-</td></tr> <tr><td>2 PLC</td><td>±</td><td>0.20 [.008]</td></tr> <tr><td>3 PLC</td><td>±</td><td>-</td></tr> <tr><td>4 PLC</td><td>±</td><td>-</td></tr> <tr><td>ANGLES</td><td>±</td><td>1°</td></tr> </table>		0 PLC	±	-	1 PLC	±	-	2 PLC	±	0.20 [.008]	3 PLC	±	-	4 PLC	±	-	ANGLES	±	1°	WEIGHT -		SIZE A2	CAGE CODE 00779	DRAWING NO C=1825165	RESTRICTED TO -
0 PLC	±	-																							
1 PLC	±	-																							
2 PLC	±	0.20 [.008]																							
3 PLC	±	-																							
4 PLC	±	-																							
ANGLES	±	1°																							
MATERIAL SEE NOTES		FINISH SEE NOTES		SCALE 4:1		SHEET 1 of 1	REV A2																		
CUSTOMER DRAWING																									