



Chipsmall Limited consists of a professional team with an average of over 10 year of expertise in the distribution of electronic components. Based in Hongkong, we have already established firm and mutual-benefit business relationships with customers from,Europe,America and south Asia,supplying obsolete and hard-to-find components to meet their specific needs.

With the principle of “Quality Parts,Customers Priority,Honest Operation,and Considerate Service”,our business mainly focus on the distribution of electronic components. Line cards we deal with include Microchip,ALPS,ROHM,Xilinx,Pulse,ON,Everlight and Freescale. Main products comprise IC,Modules,Potentiometer,IC Socket,Relay,Connector.Our parts cover such applications as commercial,industrial, and automotives areas.

We are looking forward to setting up business relationship with you and hope to provide you with the best service and solution. Let us make a better world for our industry!



## Contact us

Tel: +86-755-8981 8866 Fax: +86-755-8427 6832

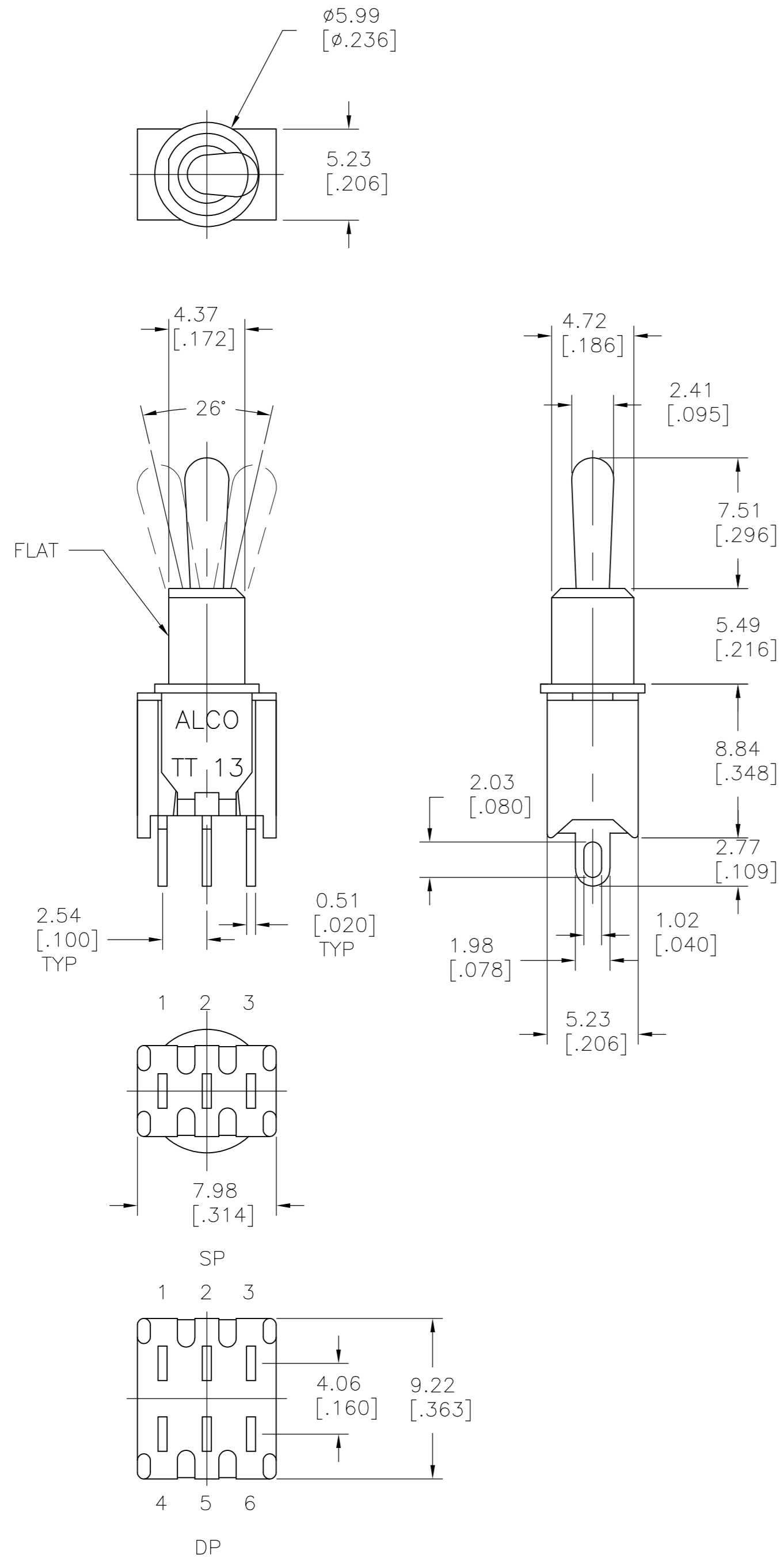
Email & Skype: info@chipsmall.com Web: www.chipsmall.com

Address: A1208, Overseas Decoration Building, #122 Zhenhua RD., Futian, Shenzhen, China



THIS DRAWING IS UNPUBLISHED. RELEASED FOR PUBLICATION  
 © COPYRIGHT BY TYCO ELECTRONICS CORPORATION. ALL INTERNATIONAL RIGHTS RESERVED.

LOC	DIST	REVISIONS					
		P	LTR	DESCRIPTION	DATE	DWN	APVD
-	-	01		REVISED PER ECO-10-024560	10DEC10	HMR	NE



TERMINALS CONNECTED WHEN TOGGLE IN POSITIONS SHOWN.

PART NO	SWITCH ACTION CODE (*)	FLAT		
		1 2 3 4 5 6	1 2 3 4 5 6	1 2 3 4 5 6
1825222-2	TT13A2T04	3 TO 1	NONE	OFF
1825222-3	TT13D2T04	2 TO 1	NONE	2 TO 3
1825222-4	TT13E2T04	2 TO 1	OFF	2 TO 3
1825222-6	TT23K2T04	3 TO 1 6 TO 4	NONE	OFF
1825222-7	TT23N2T04	2 TO 1 5 TO 4	NONE	2 TO 3 5 TO 6

TERMINAL DESIGNATION NUMBERS ARE FOR REFERENCE ONLY, AND DO NOT APPEAR ON SWITCHES.

SPECIFICATION:

- MATERIALS:**  
 CASE AND ACTUATOR: THERMOPLASTIC, UL94-V0.  
 FRAME: STEEL, TIN PLATED.  
 BUSHING AND ACTUATOR LEVER: BRASS, NICKEL PLATED  
 ROCKER CONTACT: SILVER/BRASS, LAMINATED.  
 PLUNGER: STAINLESS STEEL, PASSIVATED  
 SPRING: MUSICAL WIRE.  
 TERMINALS: SILVER/BRASS, LAMINATED, SILVER PLATED.  
 TERMINAL SEAL: SP EPOXY  
 DP EPOXY OPTIONAL
- ELECTRICAL:**  
 CURRENT RATING: 3A @ 125V AC OR 28V DC (2 POSITION)  
 2A @ 125V AC (3 POSITION)  
 INITIAL CONTACT RESISTANCE: 20 MLLIOHMS MAX  
 INSULATION RESISTANCE: 1,000 MEGAOHMS AT 500V DC MIN  
 DIELECTRIC STRENGTH: 1,000 VOLTS RMS AT SEA LEVEL  
 LIFE EXPECTANCY: 80,000 CYCLES (2 POSITION)  
 60,000 CYCLES (3 POSITION)
- ENVIRONMENTAL:**  
 OPERATING TEMPERATURE: -22°F TO +185°F (-30°C TO +85°C)  
 STORAGE TEMPERATURE: -67°F TO +185°F (-55°C TO +85°C)
- TT13A2T04 HAS TERMINALS 1, 3, 4 & 6  
 HARDWARE INCLUDED: 1 HEX NUT AND 1 LOCKWASHER.

THIS DRAWING IS A CONTROLLED DOCUMENT.		DWN RAGHAVENDRA 26AUG10	Tyco Electronics Corporation Harrisburg, PA 17105-3608	
DIMENSIONS: mm [INCHES]		CHK EPPLEY NAZ 26AUG10	NAME	
TOLERANCES UNLESS OTHERWISE SPECIFIED:		APVD EPPLEY NAZ 26AUG10	SWITCH, TINY TOGGLE SERIES, 1 & 2 POLE	
0 PLC ± - 1 PLC ± - 2 PLC ± - 3 PLC ± - 4 PLC ± - ANGLES ± -		PRODUCT SPEC APPLICATION SPEC	SIZE A2	RESTRICTED TO
MATERIAL		WEIGHT	CAGE CODE 00779	DRAWING NO 1825222-2
FINISH		CUSTOMER DRAWING	SCALE 4:1	SHEET 1 OF 1
			REV 01	