



Chipsmall Limited consists of a professional team with an average of over 10 year of expertise in the distribution of electronic components. Based in Hongkong, we have already established firm and mutual-benefit business relationships with customers from,Europe,America and south Asia,supplying obsolete and hard-to-find components to meet their specific needs.

With the principle of “Quality Parts,Customers Priority,Honest Operation,and Considerate Service”,our business mainly focus on the distribution of electronic components. Line cards we deal with include Microchip,ALPS,ROHM,Xilinx,Pulse,ON,Everlight and Freescale. Main products comprise IC,Modules,Potentiometer,IC Socket,Relay,Connector.Our parts cover such applications as commercial,industrial, and automotives areas.

We are looking forward to setting up business relationship with you and hope to provide you with the best service and solution. Let us make a better world for our industry!



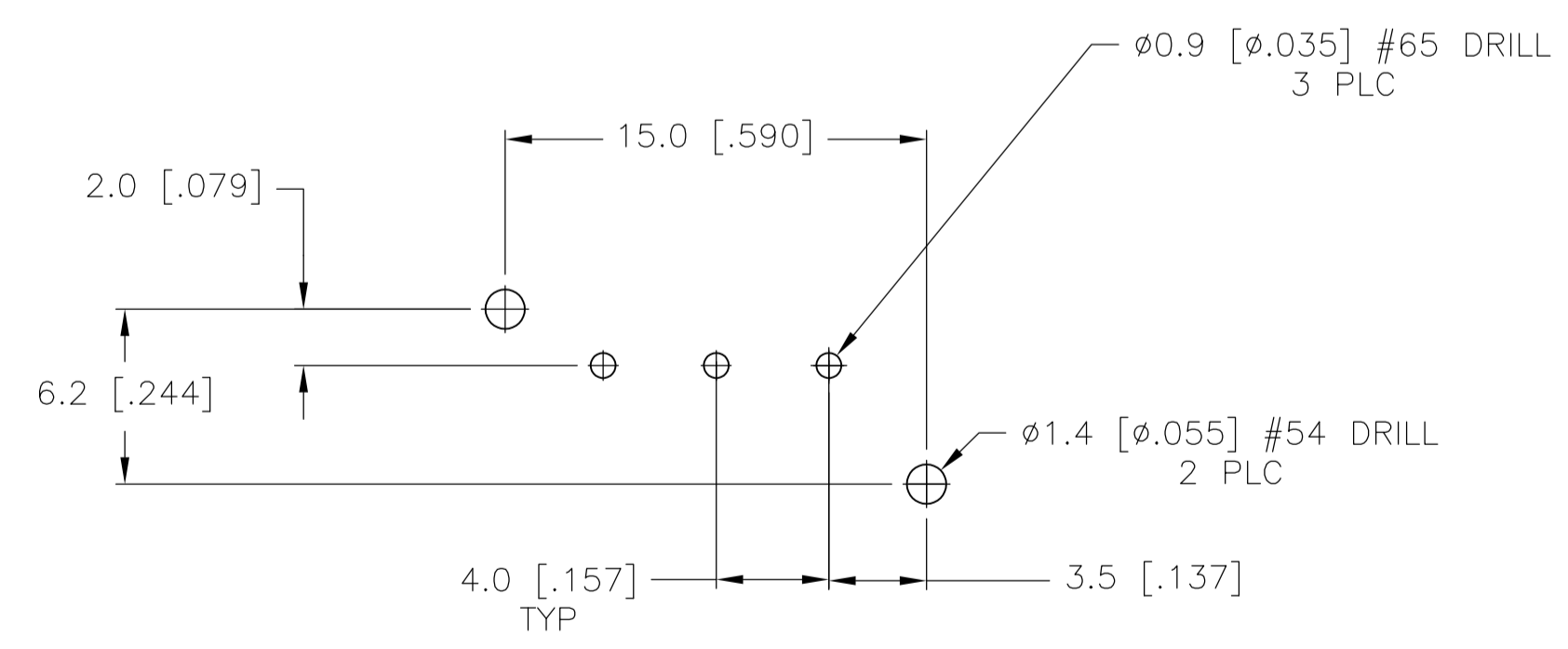
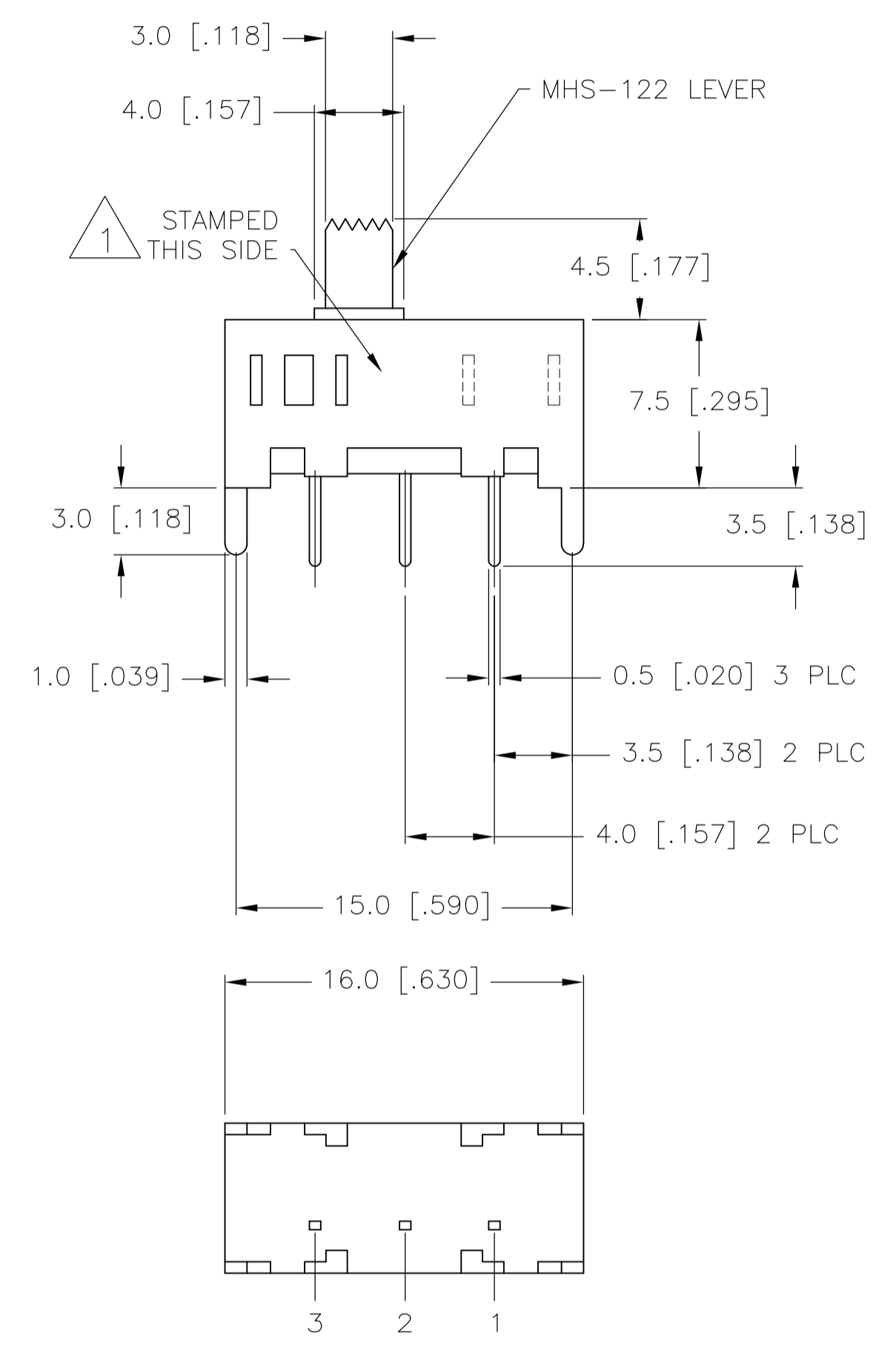
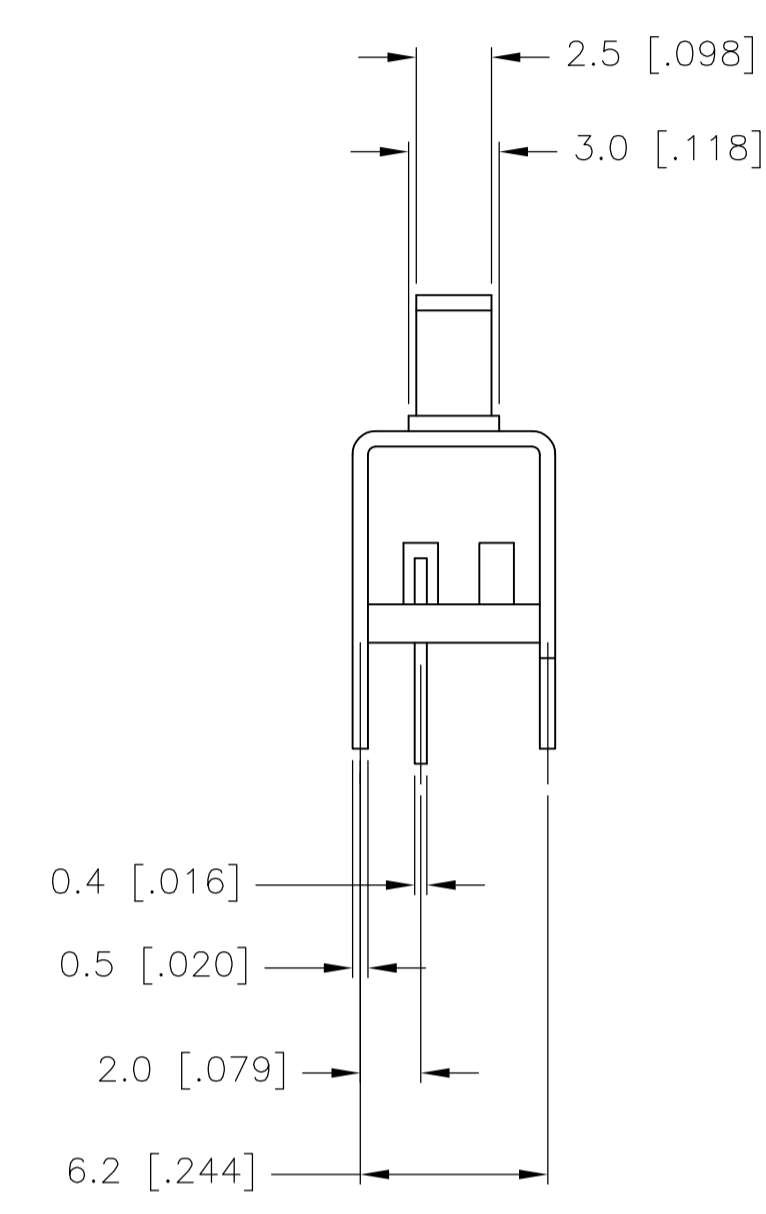
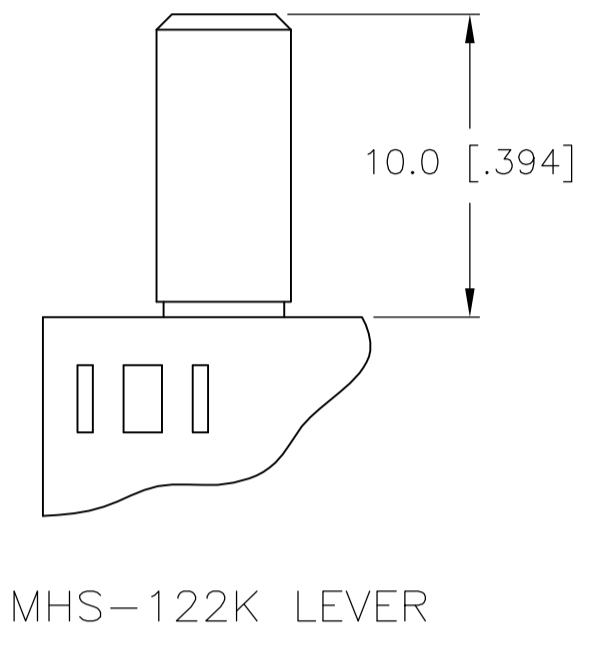
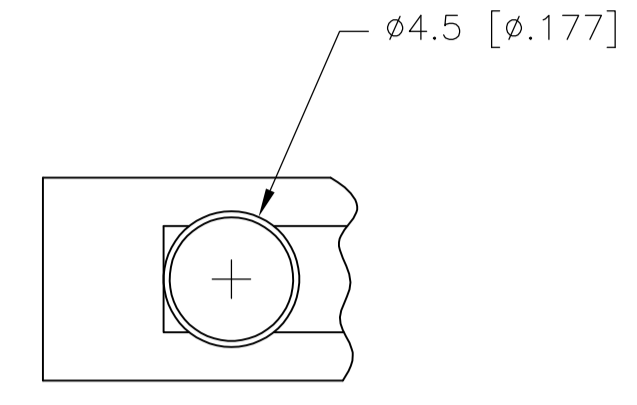
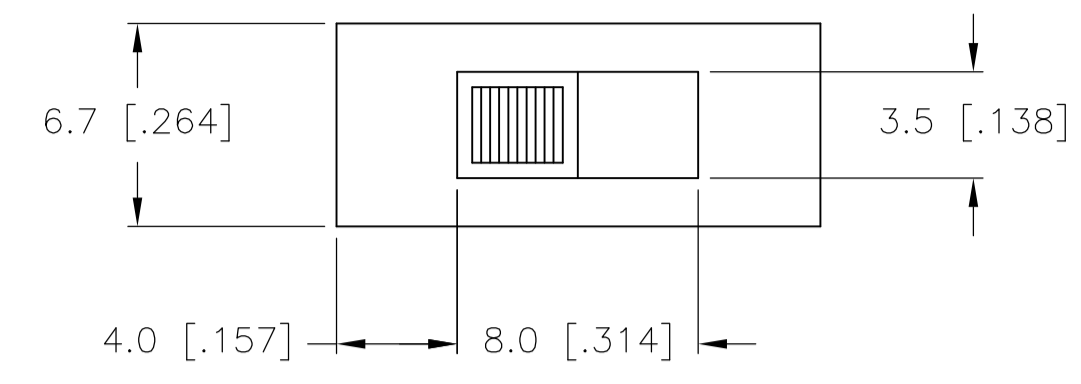
Contact us

Tel: +86-755-8981 8866 Fax: +86-755-8427 6832

Email & Skype: info@chipsmall.com Web: www.chipsmall.com

Address: A1208, Overseas Decoration Building, #122 Zhenhua RD., Futian, Shenzhen, China





RECOMMENDED BOARD LAYOUT
PC LAYOUT TOLERANCE: ±.002

MHS-122 SERIES SWITCH

SPECIFICATIONS MAKE-BEFORE-BREAK

MATERIALS:
 ACTUATOR- POM, UL94HB BLACK
 TERMINAL BOARD- PHENOLIC LAMINATED SHEET, UL94HB, NATURAL
 FRAME- STEEL, NICKEL PLATE
 TERMINAL/FIXED CONTACT- COPPER ALLOY, GOLD OR SILVER OVER NICKEL PLATE
 MOVING CONTACT- COPPER ALLOY, GOLD OR SILVER OVER NICKLE PLATE
 DETENT BALL- STEEL
 COIL SPRING- GALVANIZED SPRING WIRE
 LEVER,(K SERIES ONLY)- ALUMINUM
 SEAL- EPOXY

ELECTRICAL:
 CONTACT RATING- .4VA@20VDC OR PEAK AC (GOLD); 300mA@125V AC (SILVER)
 INITIAL CONTACT RESISTANCE- 30 milliohm max.
 FINAL CONTACT RESISTANCE- 100 milliohm max. (AFTER TEST)
 INSULTAION RESISTANCE- 1,000 Megohms min.
 DIELECTRIC STRENGTH- 500V RMS@SEA LEVEL
 LIFE EXPECTANCY- 15,000 CYCLES MIN.

MECHANICAL:
 ACTUATION FORCE- 600+/-300 GRAMS
 TRAVEL- SEE P/N TABLE

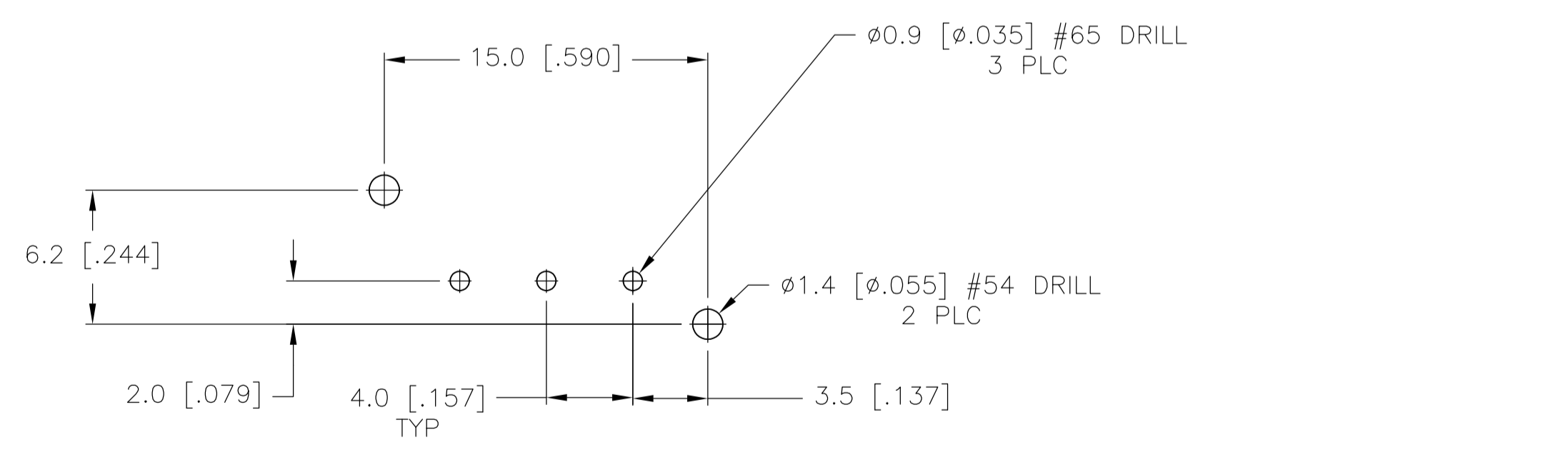
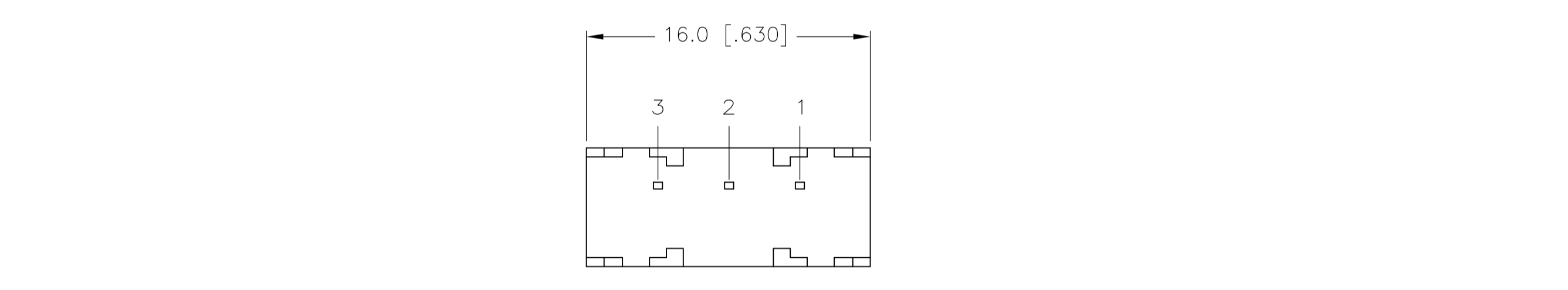
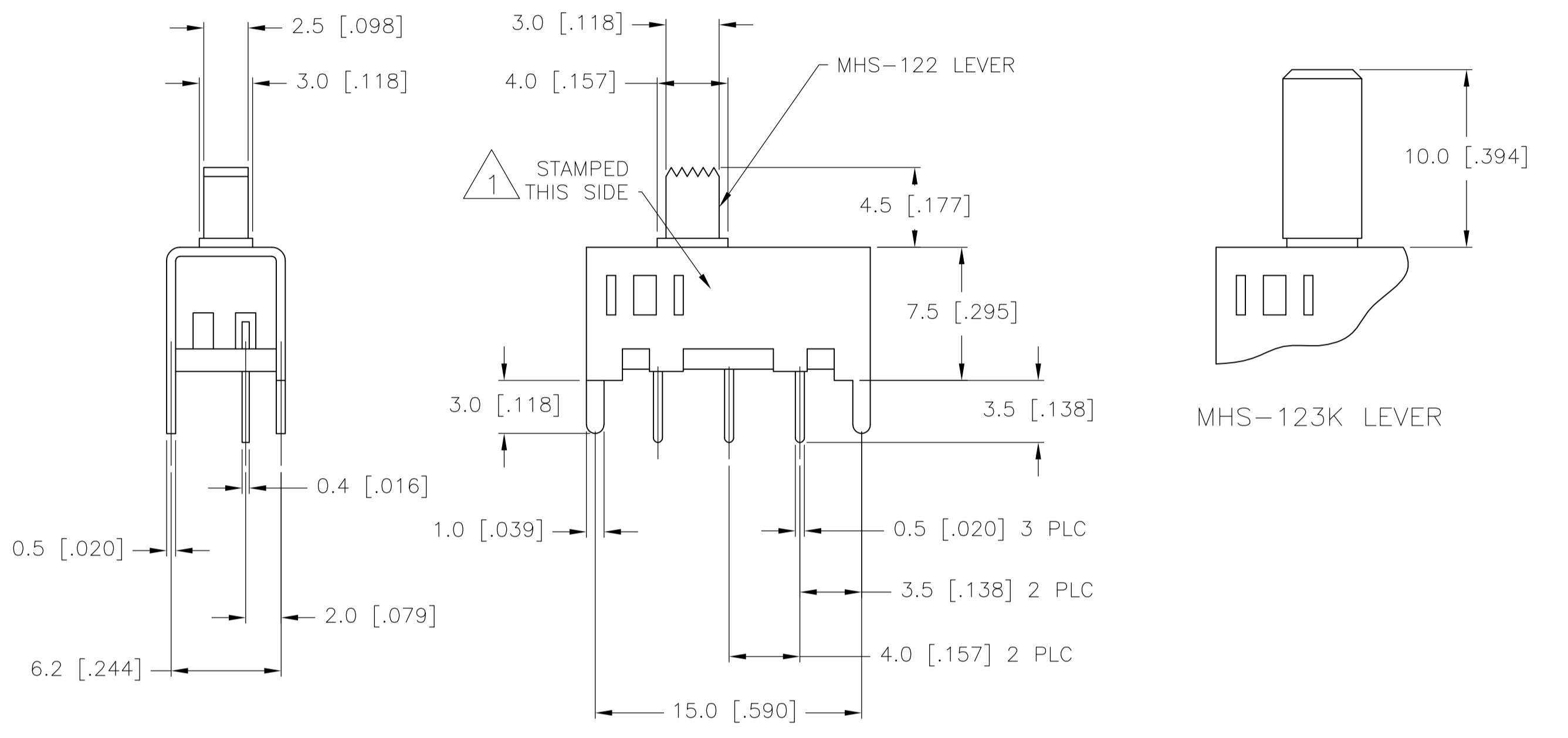
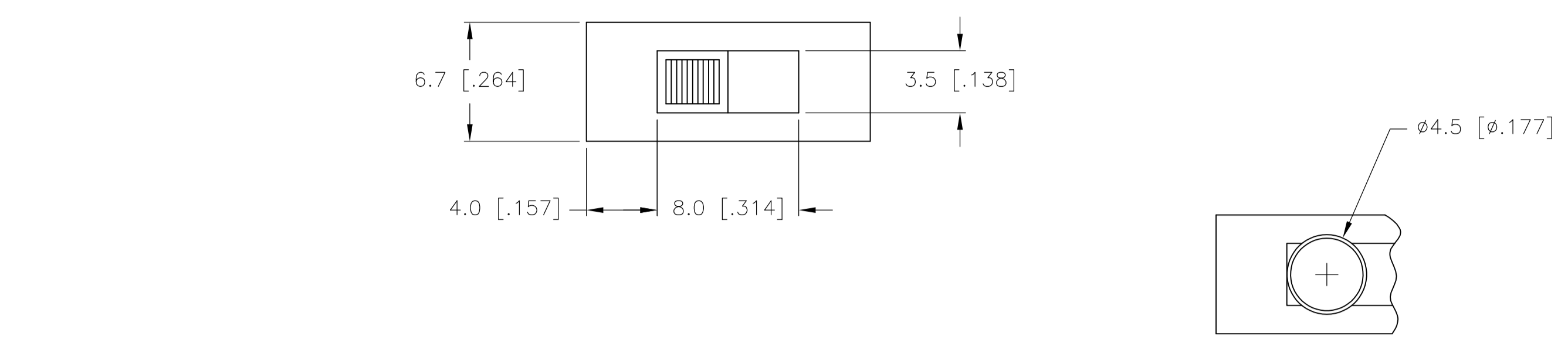
ENVIRONMENTAL:
 OPERATING TEMPERATURE- -20 TO +85 DEGREES C
 STORAGE TEMPERATURE- -40 TO +100 DEGREES C
 RESISTANCE TO SOLDER HEAT PER 109-202, CONDITION B
 SOLDERABILITY PER EIA-364-52, CLASS 2, CATEGORY 1, 95% MIN COVERAGE

- NOTES:**
- 1 COUNTRY OF ORIGIN AND TE CONNECTIVITY LOGO LOCATED APPROXIMATELY AS SHOWN
 - 2 ALL MATERIALS AND FINISHES SHALL COMPLY WITH EU DIRECTIVE 2002/95/EC OF 27JAN2003 (ROHS)
 - 3 ANTI SOLDER WICK SEAL AT TERMINAL TO BOARD INTERFACE
 - 4 ALL PERFORMANCE TESTING WAS DONE IN ACCORDANCE TO TE CONNECTIVITY SPECIFICATION 102-2469
 - 5 OBSOLETE PARTS: OBSOLETE CIS STREAMLINING PER D.RENAUD/D.SINISI

OBSOLETE	1-1825255-0	MHS133K04	SP3T	2.00	GOLD	-	2-1	-	2-3	-	2-4
	1825255-9	MHS133K04	SP3T	2.00	SILVER	-	2-1	-	2-3	-	2-4
	1825255-8	MHS133G04	SP3T	2.00	GOLD	-	2-1	-	2-3	-	2-4
	1825255-7	MHS13304	SP3T	2.00	SILVER	-	2-1	-	2-3	-	2-4
	-	MHS123K04	SPDT	2.00	GOLD	2-1	-	OFF	-	2-3	-
	1825255-6	MHS123K04	SPDT	2.00	SILVER	2-1	-	OFF	-	2-3	-
	-	MHS123G04	SPDT	2.00	GOLD	2-1	-	OFF	-	2-3	-
	1825255-5	MHS12304	SPDT	2.00	SILVER	2-1	-	OFF	-	2-3	-
OBSOLETE	1825255-4	MHS122K04	SPDT	4.00	GOLD	2-1	-	NONE	-	2-3	-
	1825255-3	MHS122K04	SPDT	4.00	SILVER	2-1	-	NONE	-	2-3	-
	1825255-2	MHS122G04	SPDT	4.00	GOLD	2-1	-	NONE	-	2-3	-
	1825255-1	MHS12204	SPDT	4.00	SILVER	2-1	-	NONE	-	2-3	-
PART NO.	T&B PART NO.	TYPE	TRAVEL	PLATING	TERMINALS CONNECTED WHEN SLIDE IS IN POSITION SHOWN.						

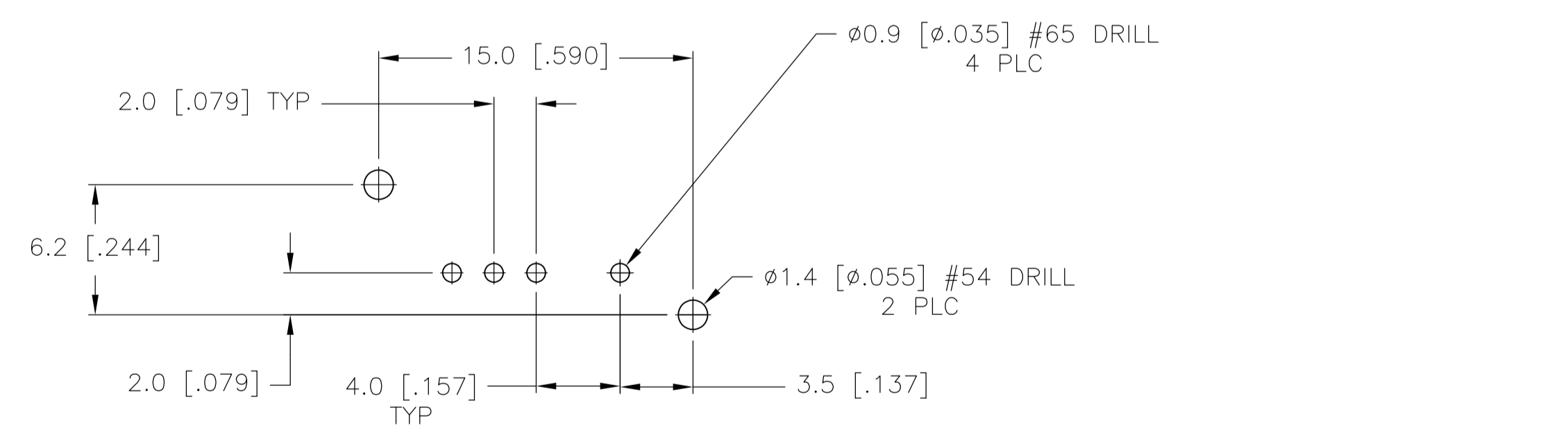
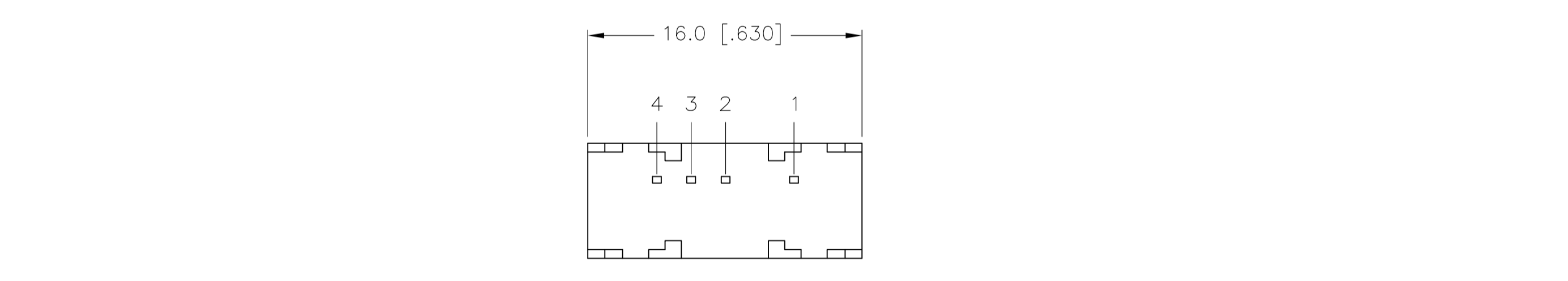
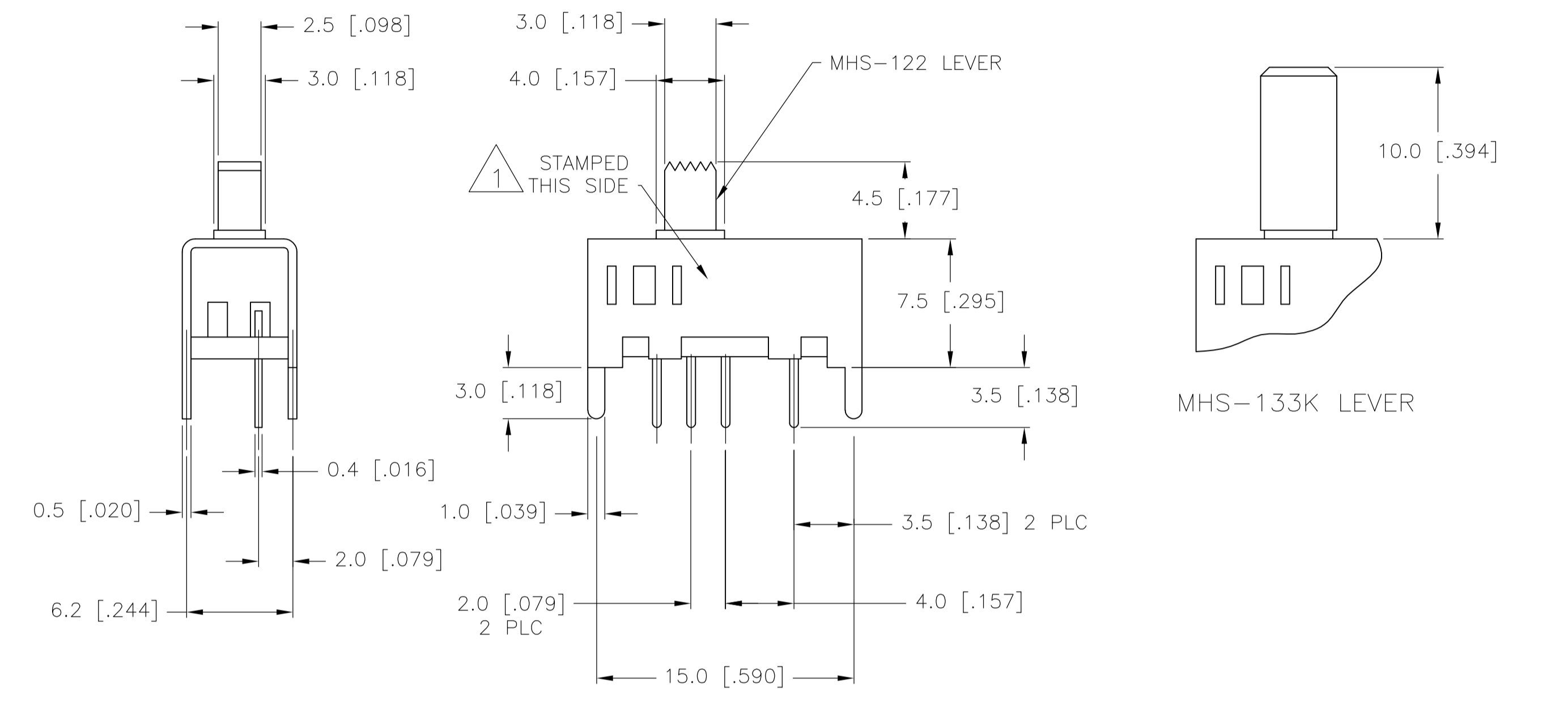
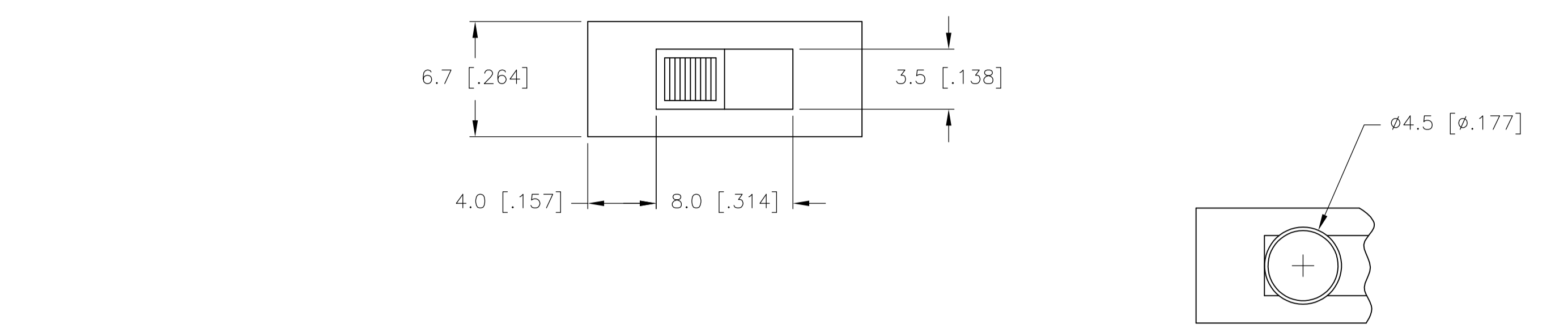
THIS DRAWING IS A CONTROLLED DOCUMENT. **STE** TE Connectivity

DIMENSIONS: mm	TOLERANCES UNLESS OTHERWISE SPECIFIED:	DIN R BROWN 21DEC05	CHK M SARVER 21DEC05	APVD M SARVER 21DEC05	NAME
0 PLC ± -	1 PLC ± 0.3 [ø.12]	APPL. SPEC	SIZE	CAGE CODE	DRAWING NO.
2 PLC ± -	3 PLC ± -	WEIGHT	A1	00779	1825255
4 PLC ± -	ANGLES ± 1°	CUSTOMER DRAWING	SCALE	4:1	SHEET 1 OF 2
MATERIAL	FINISH	RESTRICTED TO	REV	A3	



RECOMMENDED BOARD LAYOUT
PC LAYOUT TOLERANCE: ±0.002

MHS-123 SERIES SWITCH



RECOMMENDED BOARD LAYOUT
PC LAYOUT TOLERANCE: ±0.002

MHS-133 SERIES SWITCH

THIS DRAWING IS A CONTROLLED DOCUMENT.		DIN R BROWN 21DEC05	TE Connectivity
DIMENSIONS: mm		CHK M SARVER 21DEC05	
TOLERANCES UNLESS OTHERWISE SPECIFIED:		APP'D M SARVER 21DEC05	NAME
0 PLC ± -	1 PLC ± 0.3 [0.12]	PRODUCT SPEC	SLIDE SWITCH, MHS SERIES, SINGLE POLE, VERTICAL
2 PLC ± -	3 PLC ± -	APPLICATION SPEC	SIZE
4 PLC ± -	ANGLES ± 1'	WEIGHT	CAGE CODE
MATERIAL	FINISH	SCALE	DRAWING NO
		4:1	A1 00779
CUSTOMER DRAWING		SHEET	REV
		2	2