



Chipsmall Limited consists of a professional team with an average of over 10 year of expertise in the distribution of electronic components. Based in Hongkong, we have already established firm and mutual-benefit business relationships with customers from,Europe,America and south Asia,supplying obsolete and hard-to-find components to meet their specific needs.

With the principle of “Quality Parts,Customers Priority,Honest Operation,and Considerate Service”,our business mainly focus on the distribution of electronic components. Line cards we deal with include Microchip,ALPS,ROHM,Xilinx,Pulse,ON,Everlight and Freescale. Main products comprise IC,Modules,Potentiometer,IC Socket,Relay,Connector.Our parts cover such applications as commercial,industrial, and automotives areas.

We are looking forward to setting up business relationship with you and hope to provide you with the best service and solution. Let us make a better world for our industry!



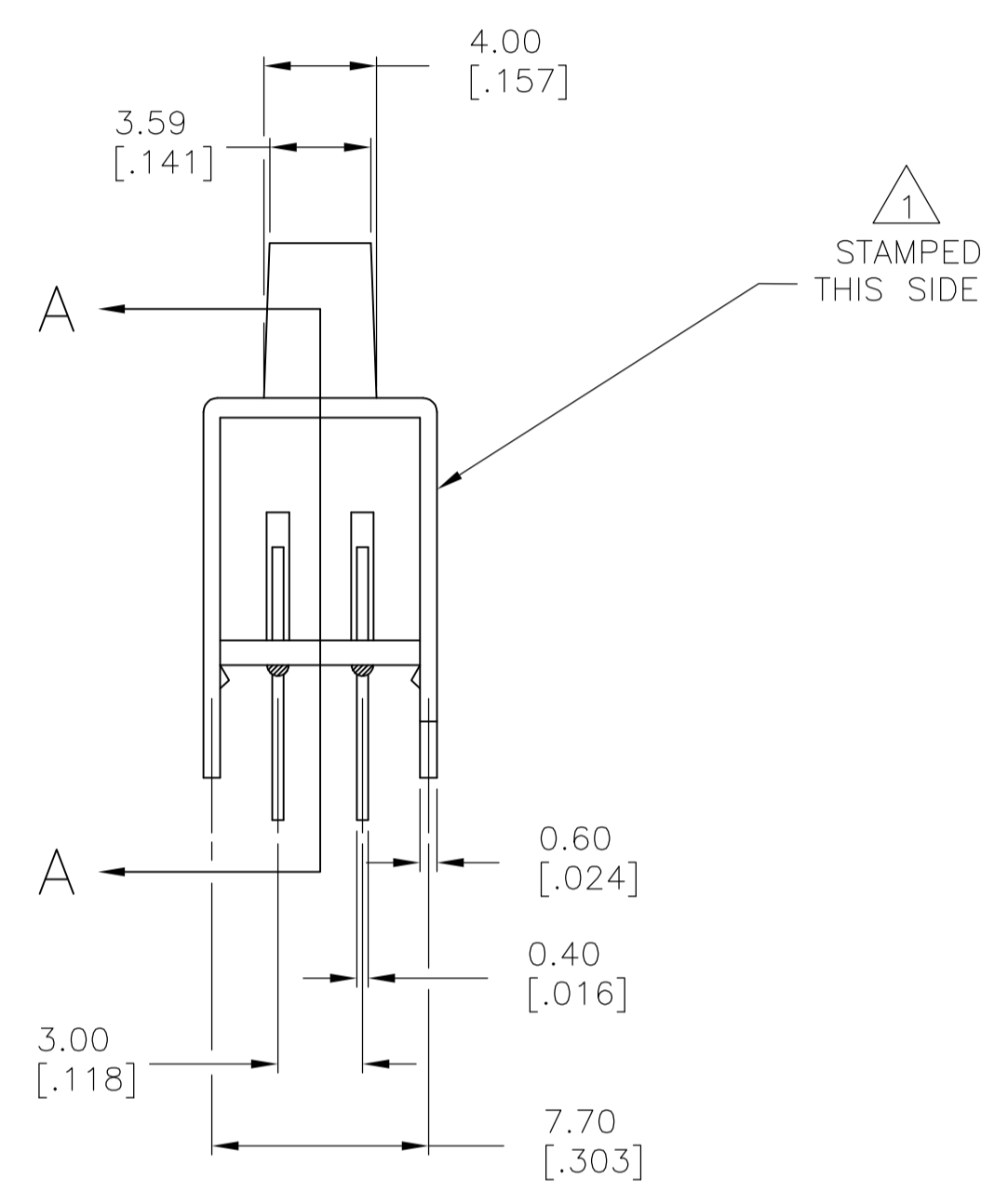
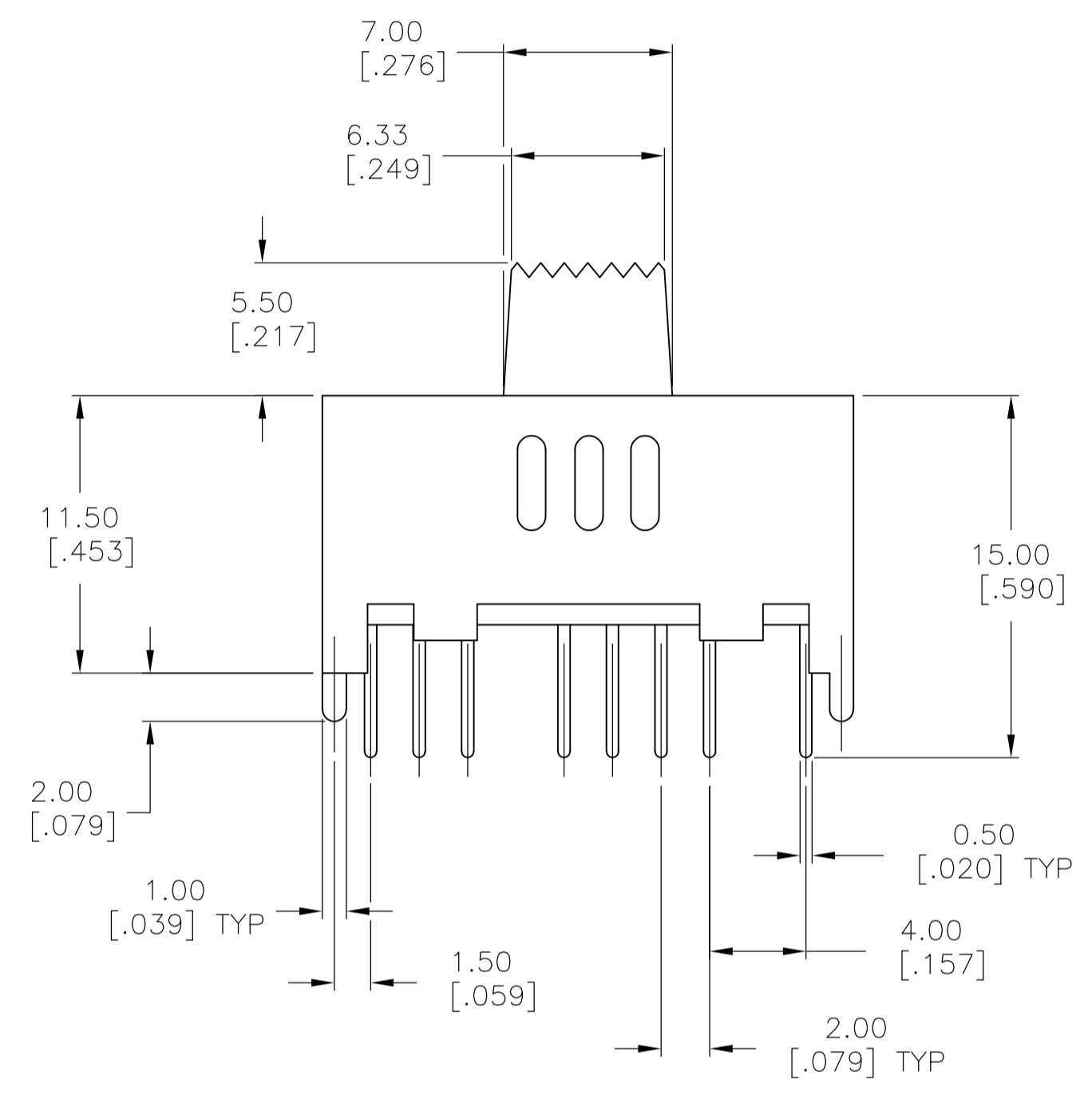
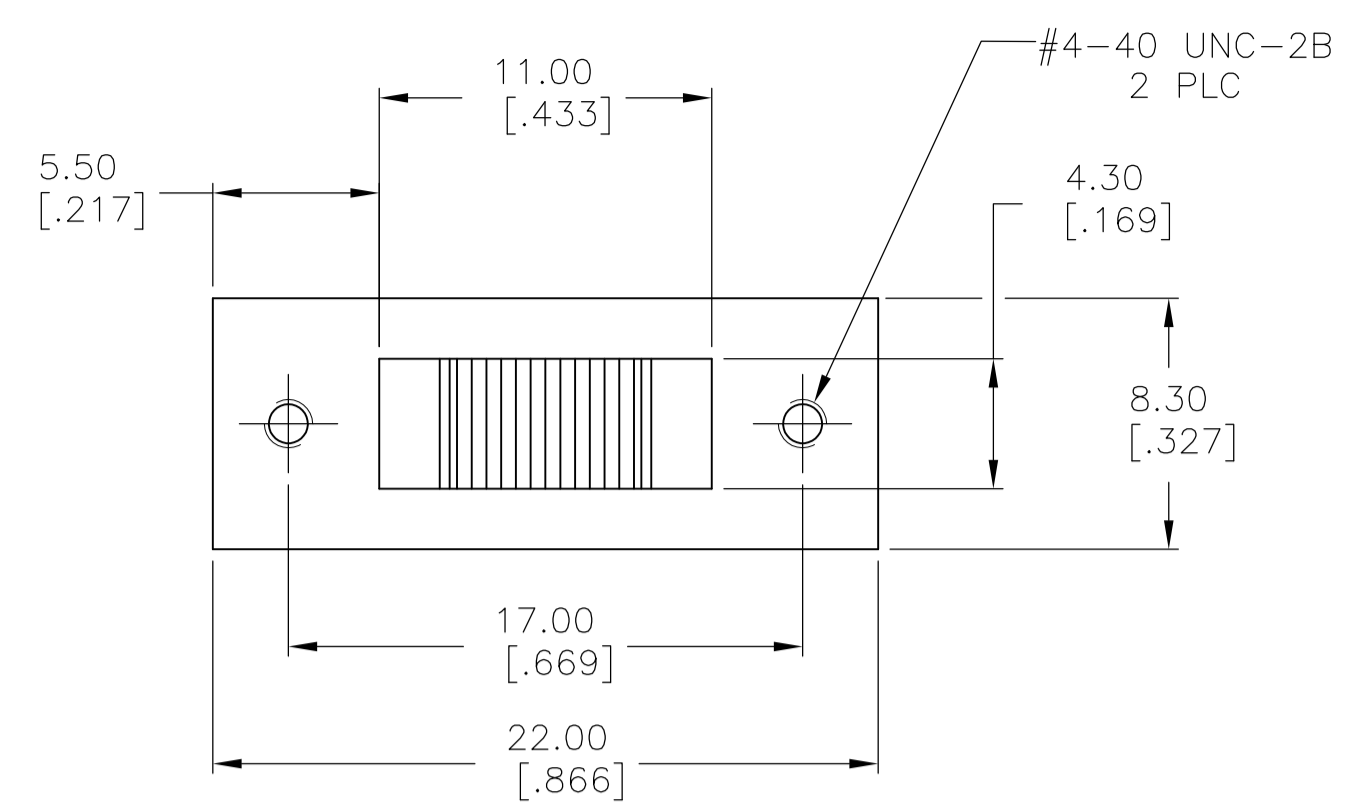
## Contact us

Tel: +86-755-8981 8866 Fax: +86-755-8427 6832

Email & Skype: info@chipsmall.com Web: www.chipsmall.com

Address: A1208, Overseas Decoration Building, #122 Zhenhua RD., Futian, Shenzhen, China





SPECIFICATIONS  
MAKE-BEFORE-BREAK

MATERIALS:  
ACTUATOR- POM, UL94HB BLACK  
TERMINAL BOARD- PHENOLIC LAMINATED SHEET, UL94HB, NATURAL  
FRAME- STEEL, NICKEL PLATE  
TERMINAL/FIXED CONTACT- COPPER ALLOY, GOLD OR SILVER OVER NICKEL PLATE  
MOVING CONTACT- COPPER ALLOY, GOLD OR SILVER OVER NICKEL PLATE  
DETENT BALL- STEEL  
COIL SPRING- GALVANIZED SPRING WIRE  
SEAL- EPOXY

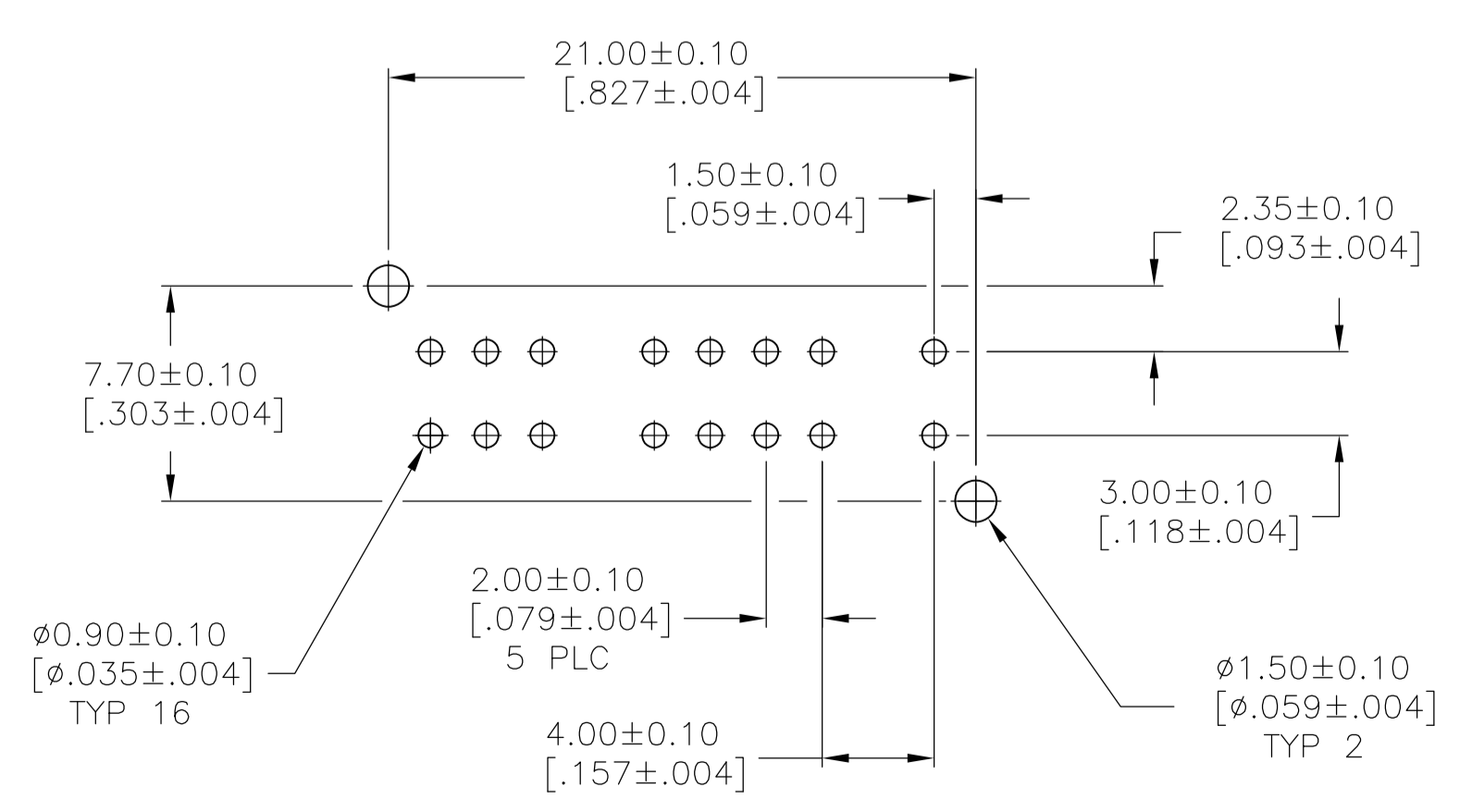
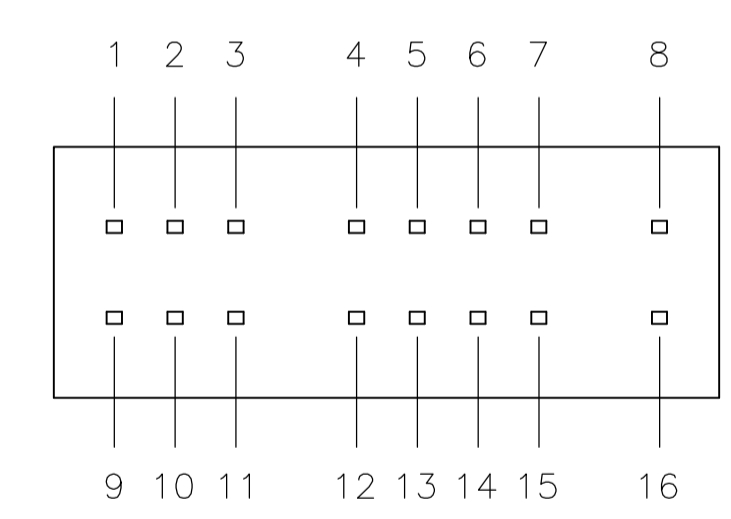
ELECTRICAL:  
CONTACT RATING- .4VA@20VDC OR PEAK AC (GOLD); 300mA@125V AC (SILVER)  
INITIAL CONTACT RESISTANCE- 30 milliohm max.  
FINAL CONTACT RESISTANCE- 100 milliohm max. (AFTER TEST)  
INSULATION RESISTANCE- 1,000 Megohms min.  
DIELECTRIC STRENGTH- 500V RMS@SEA LEVEL  
LIFE EXPECTANCY- 15,000 CYCLES MIN.

MECHANICAL:  
ACTUATION FORCE- 600+/-300 GRAMS  
TRAVEL- 2.0 +/-0.50 (.079 +/-0.020)

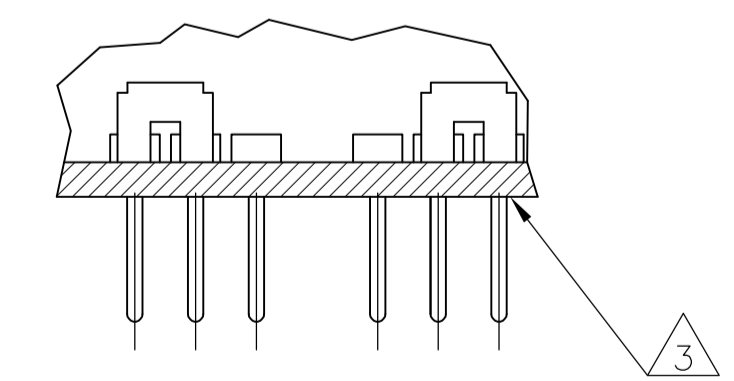
ENVIRONMENTAL:  
OPERATING TEMPERATURE- -20 TO +85 DEGREES C  
STORAGE TEMPERATURE- -40 TO +100 DEGREES C  
RESISTANCE TO SOLDER HEAT PER 109-202, CONDITION B  
SOLDERABILITY PER EIA-364-52, CLASS 2, CATEGORY 1, 95% MIN COVERAGE

NOTES:

- COUNTRY OF ORIGIN AND TE CONNECTIVITY LOGO LOCATED APPROXIMATELY AS SHOWN
- ALL MATERIALS AND FINISHES SHALL COMPLY WITH EU DIRECTIVE 2002/95/EC OF 27JAN2003 (ROHS).
- ANTI SOLDER WICK SEAL AT TERMINAL TO BOARD INTERFACE.
- ALL PERFORMANCE TESTING WAS DONE IN ACCORDANCE TO TE CONNECTIVITY SPECIFICATION 102-2469.



RECOMMENDED BOARD LAYOUT



1825267-2	MSS4300G04	GOLD	1 TO 2 5 TO 6 9 TO 10 13 TO 14	2 TO 3 6 TO 7 10 TO 11 14 TO 15	2 TO 4 6 TO 8 10 TO 12 14 TO 16
1825267-1	MSS430004	SILVER	1 TO 2 5 TO 6 9 TO 10 13 TO 14	2 TO 3 6 TO 7 10 TO 11 14 TO 15	2 TO 4 6 TO 8 10 TO 12 14 TO 16
PART NO.	T&B PART NO.	PLATING			

TERMINALS CONNECTED WHEN SLIDE IS IN POSITION SHOWN.

THIS DRAWING IS A CONTROLLED DOCUMENT.		DIN R BROWN 21DEC05	TE Connectivity																		
DIMENSIONS: mm [INCHES]		CHK M SARVER 21DEC05	NAME																		
TOLERANCES UNLESS OTHERWISE SPECIFIED:		APVD M SARVER 21DEC05	PRODUCT SPEC																		
<table border="0"> <tr><td>0 PLC</td><td>±</td><td>-</td></tr> <tr><td>1 PLC</td><td>±</td><td>-</td></tr> <tr><td>2 PLC</td><td>±</td><td>0.3[.012]</td></tr> <tr><td>3 PLC</td><td>±</td><td>-</td></tr> <tr><td>4 PLC</td><td>±</td><td>-</td></tr> <tr><td>ANGLES</td><td>±</td><td>-</td></tr> </table>		0 PLC	±	-	1 PLC	±	-	2 PLC	±	0.3[.012]	3 PLC	±	-	4 PLC	±	-	ANGLES	±	-	APPLICATION SPEC	
0 PLC	±	-																			
1 PLC	±	-																			
2 PLC	±	0.3[.012]																			
3 PLC	±	-																			
4 PLC	±	-																			
ANGLES	±	-																			
MATERIAL SEE SPECIFICATIONS		FINISH SEE SPECIFICATIONS	SIZE A1	RESTRICTED TO																	
CUSTOMER DRAWING		WEIGHT	SCALE 4:1	SHEET 1 OF 1																	
		00779	DRAWING NO. 1825267	REV B3																	