



Chipsmall Limited consists of a professional team with an average of over 10 year of expertise in the distribution of electronic components. Based in Hongkong, we have already established firm and mutual-benefit business relationships with customers from,Europe,America and south Asia,supplying obsolete and hard-to-find components to meet their specific needs.

With the principle of "Quality Parts,Customers Priority,Honest Operation,and Considerate Service",our business mainly focus on the distribution of electronic components. Line cards we deal with include Microchip,ALPS,ROHM,Xilinx,Pulse,ON,Everlight and Freescale. Main products comprise IC,Modules,Potentiometer,IC Socket,Relay,Connector.Our parts cover such applications as commercial,industrial, and automotives areas.

We are looking forward to setting up business relationship with you and hope to provide you with the best service and solution. Let us make a better world for our industry!



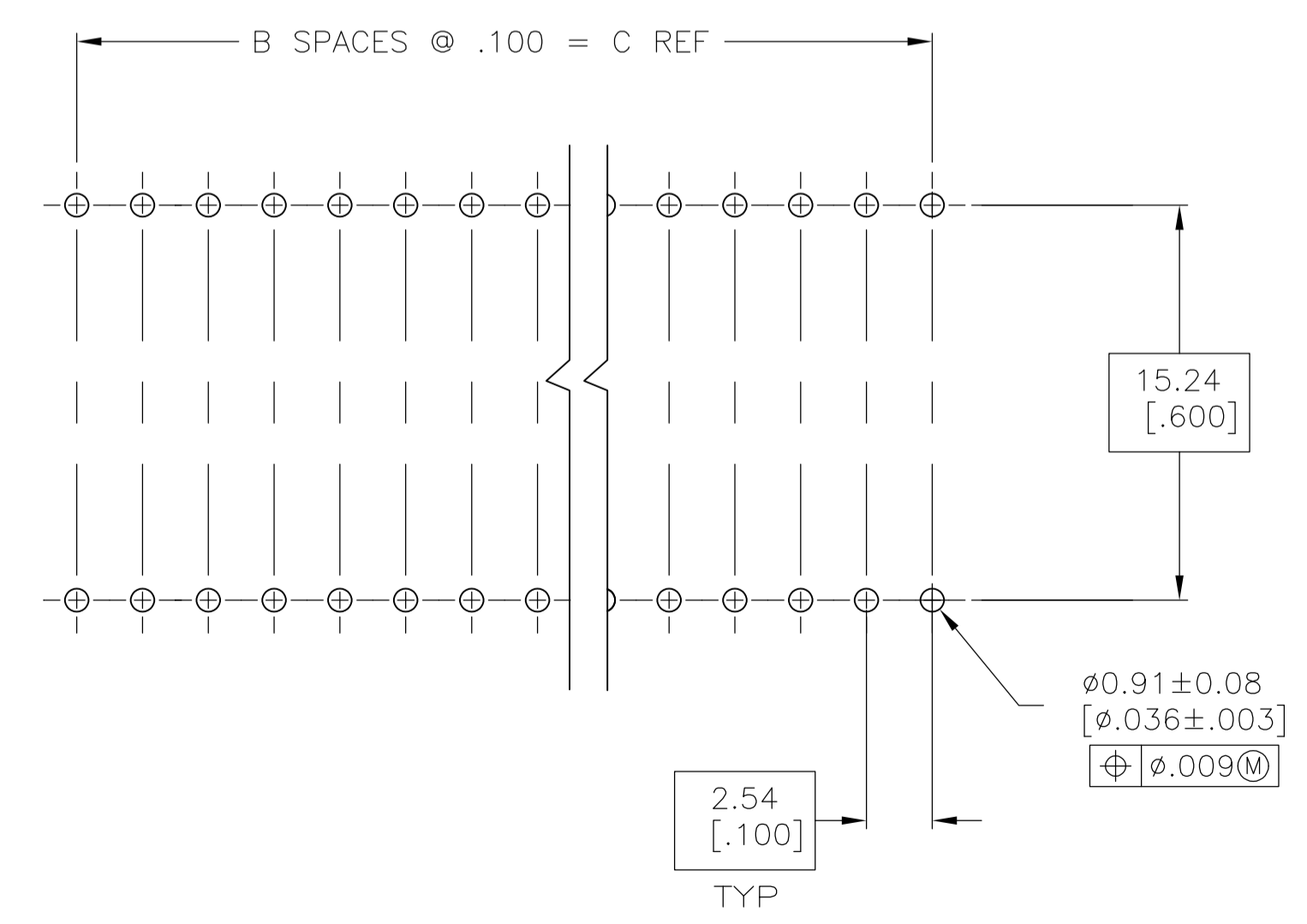
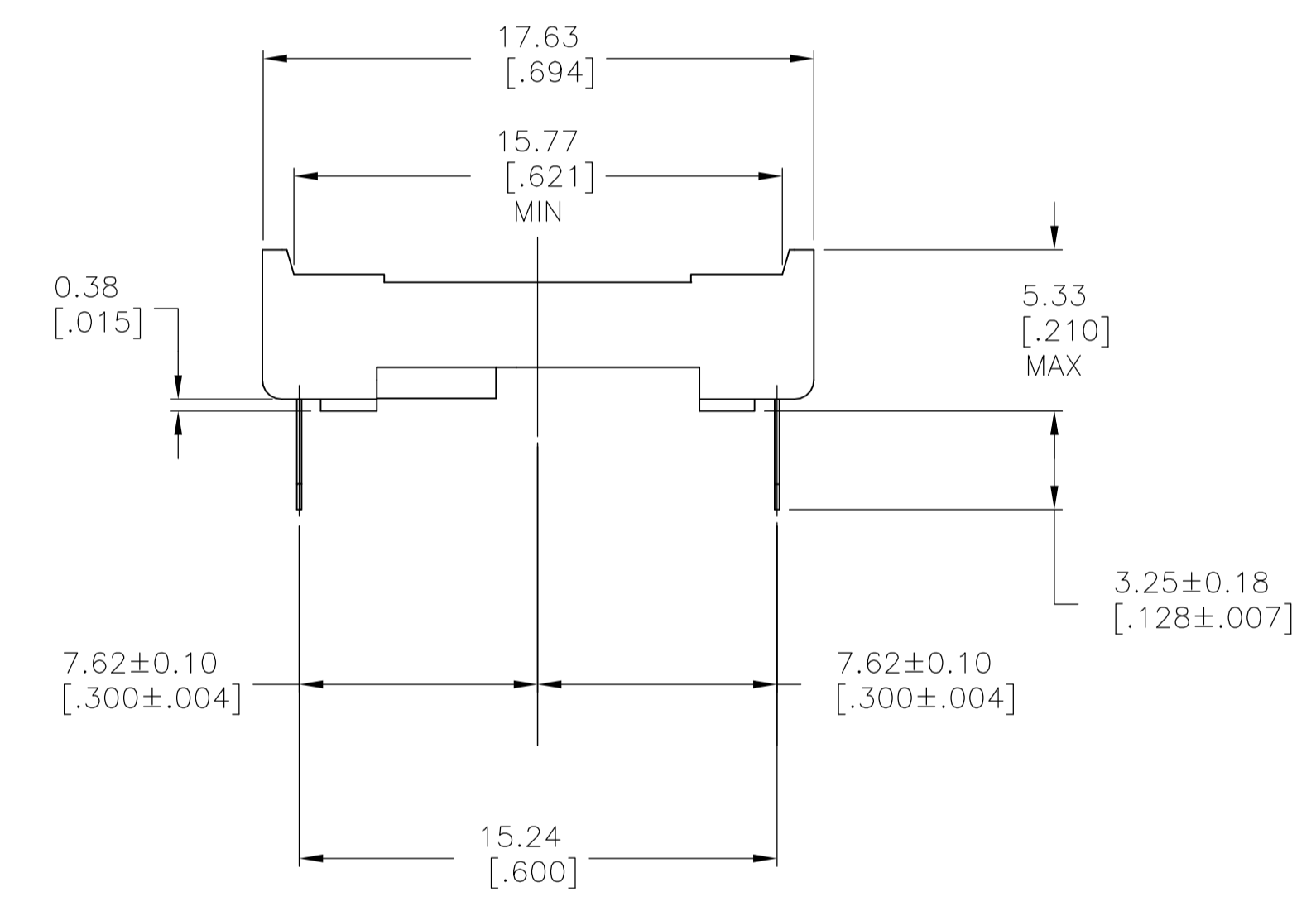
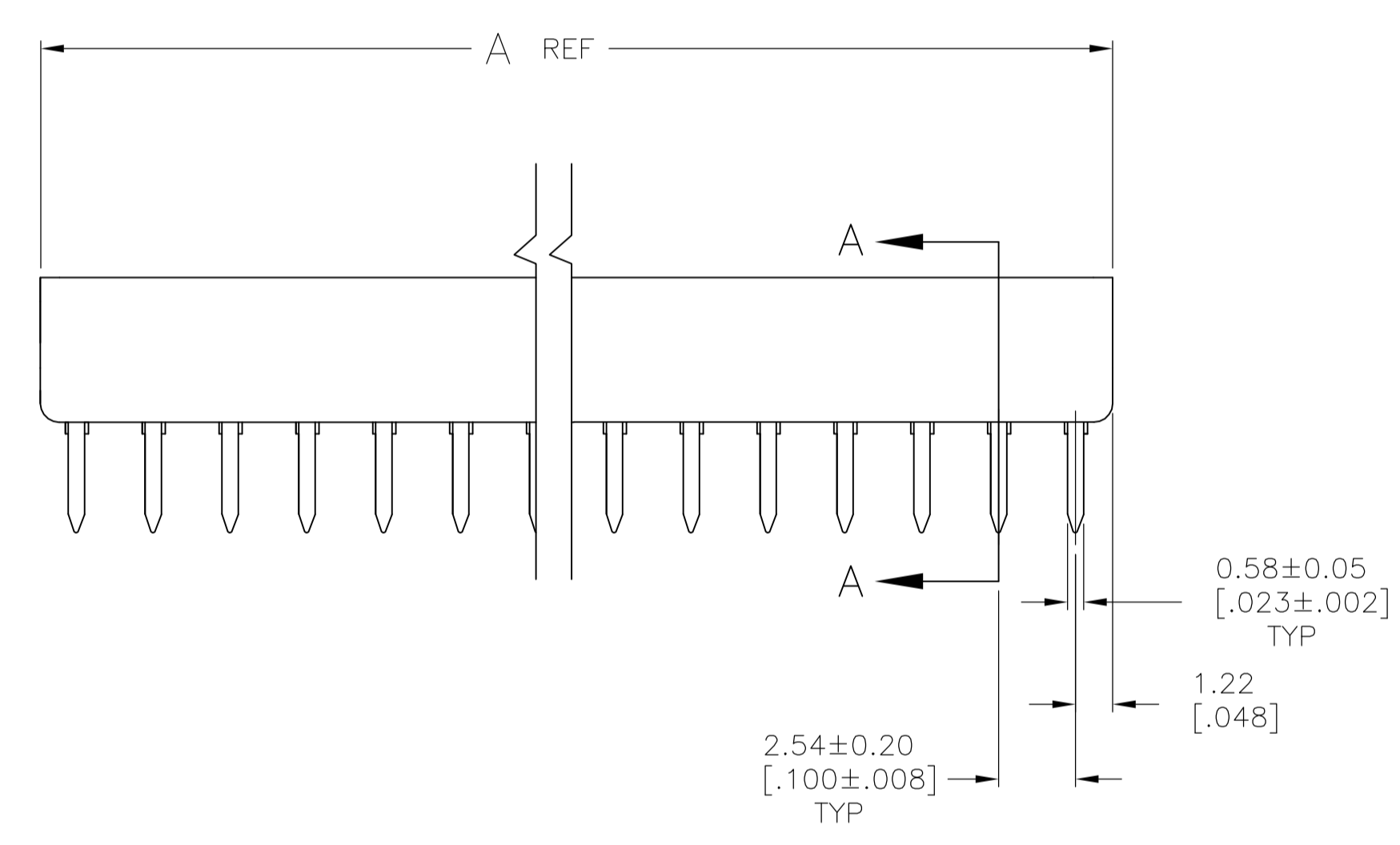
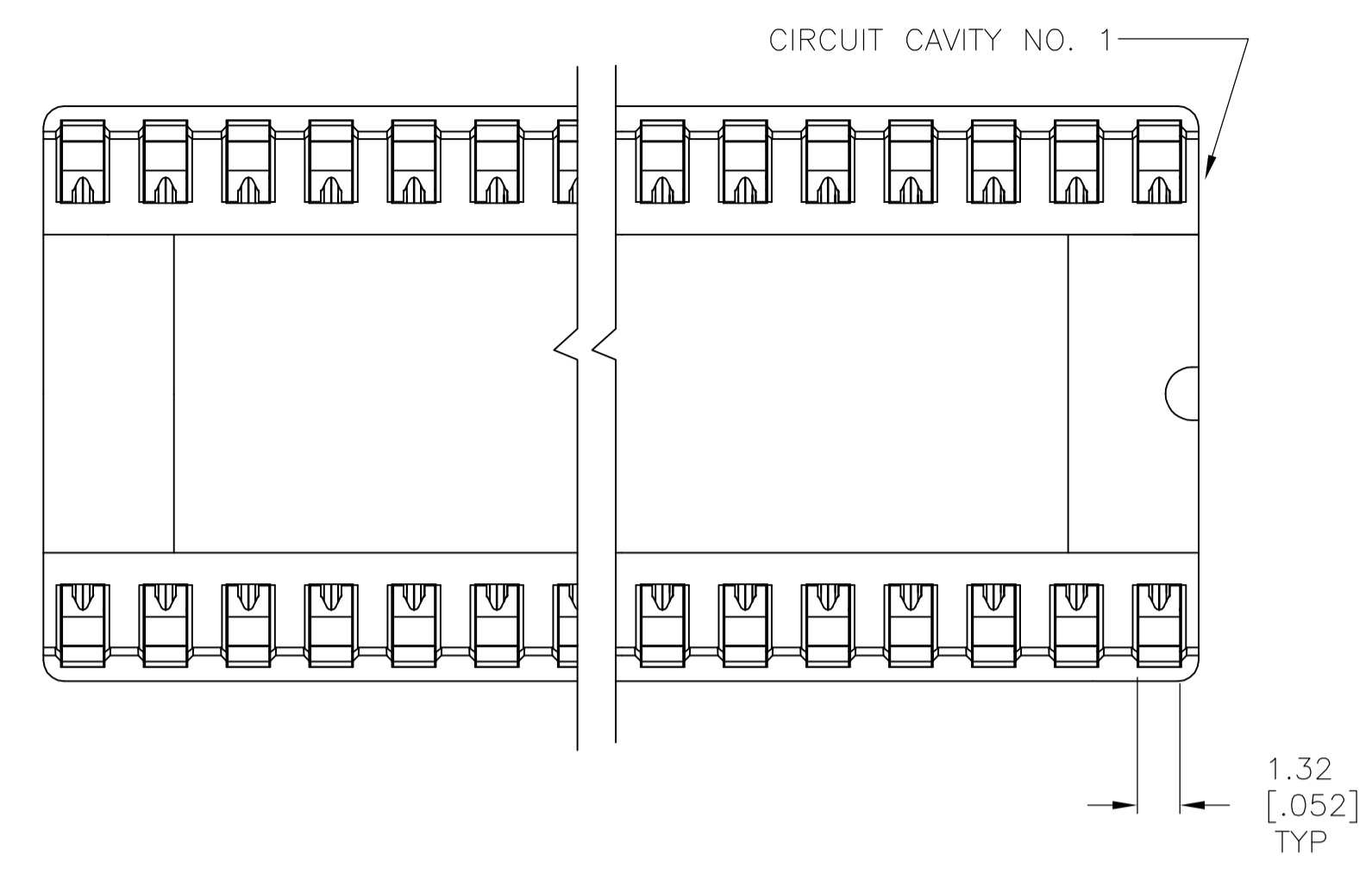
Contact us

Tel: +86-755-8981 8866 Fax: +86-755-8427 6832

Email & Skype: info@chipsmall.com Web: www.chipsmall.com

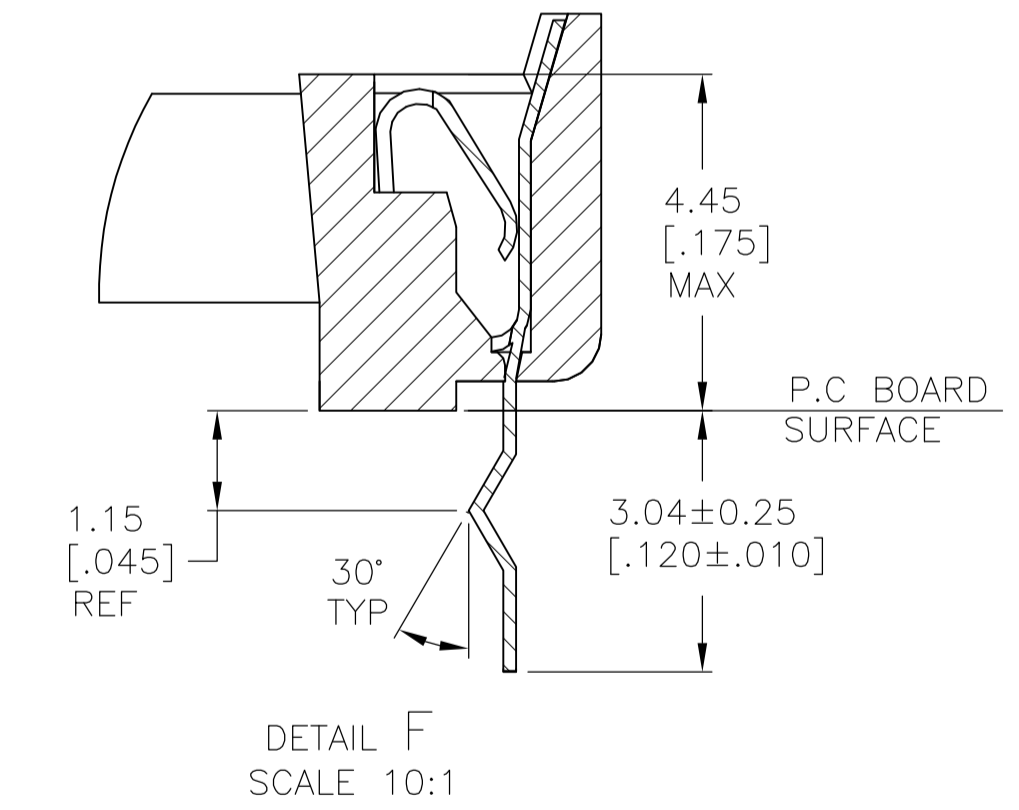
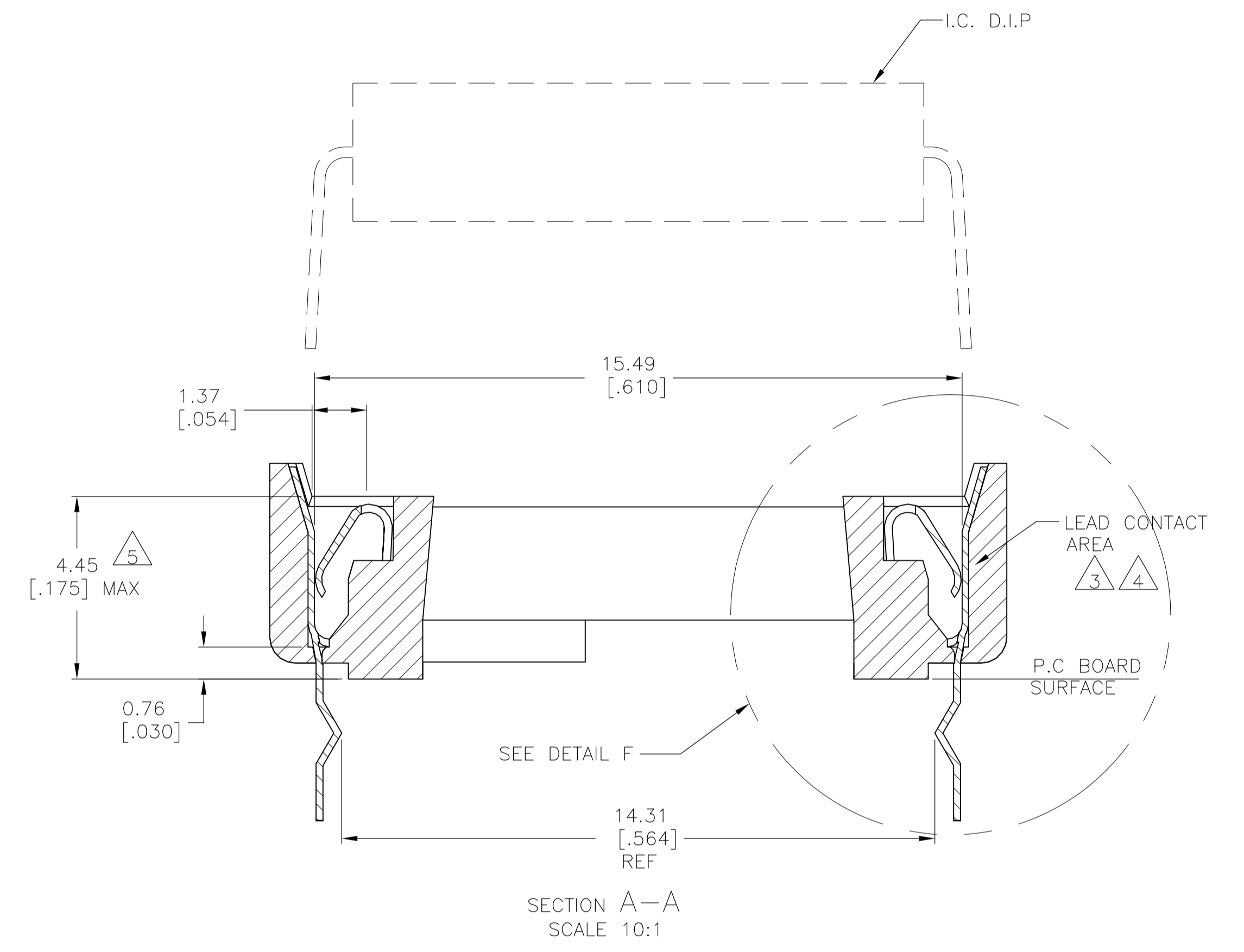
Address: A1208, Overseas Decoration Building, #122 Zhenhua RD., Futian, Shenzhen, China





RECOMMENDED MOUNTING HOLE PATTERN
SCALE 4:1

- RECEPTACLE ACCEPTS A .008-.014 THICK I.C. LEAD.
- TUBE LOADED FOR AUTOMATIC INSERTION.
- BECCU CONTACT-PLATED WITH TWO .000030 MIN THK. GOLD STRIPES IN CONTACT AREA WITH TIN ON CONTACT LEGS, BALANCE OF CONTACT NICKEL PLATED.
- PHOS. BRONZE CONTACT- PLATED WITH TWO .000015 MIN THK. GOLD STRIPES IN CONTACT AREA WITH TIN ON CONTACT LEGS, BALANCE OF CONTACT NICKEL PLATED.
- MAXIMUM DIMENSION FOR I.C. SEATING PLANE.
- HOUSING MATERIAL-GLASS FILLED THERMOPLASTIC, BLACK, 94V-0



DETAIL F	3	1.500	15	40.51 [1.595]	32	3-1825276-2
DETAIL F	4	1.500	15	40.51 [1.595]	32	2-1825276-2
	3	1.500	15	40.51 [1.595]	32	1-1825276-2
	3	1.300	13	35.43 [1.395]	28	1-1825276-1
	4	1.500	15	40.51 [1.595]	32	1825276-2
	4	1.300	13	35.43 [1.395]	28	1825276-1
COMMENT	FINISH	DIM C	B SPCS	DIM A	POS	PART NO.

THIS DRAWING IS A CONTROLLED DOCUMENT.

DTN R. TALLEY 31OCT94
CHK R. TALLEY 31OCT94

APVD M. HUDDLESTON 31OCT94

NAME: SOCKET ASSY. DIP, OTC, HT DIPLOMATE

PRODUCT SPEC: 108-1066

APPLICATION SPEC: 114-1052

WEIGHT: -

SIZE: A1

CAGE CODE: 00779

DRAWING NO: 1825276

RESTRICTED TO: -

CUSTOMER DRAWING

SCALE: 5:1

SHEET: 1 OF 1

REV: A1