



Chipsmall Limited consists of a professional team with an average of over 10 year of expertise in the distribution of electronic components. Based in Hongkong, we have already established firm and mutual-benefit business relationships with customers from,Europe,America and south Asia,supplying obsolete and hard-to-find components to meet their specific needs.

With the principle of “Quality Parts,Customers Priority,Honest Operation,and Considerate Service”,our business mainly focus on the distribution of electronic components. Line cards we deal with include Microchip,ALPS,ROHM,Xilinx,Pulse,ON,Everlight and Freescale. Main products comprise IC,Modules,Potentiometer,IC Socket,Relay,Connector.Our parts cover such applications as commercial,industrial, and automotives areas.

We are looking forward to setting up business relationship with you and hope to provide you with the best service and solution. Let us make a better world for our industry!



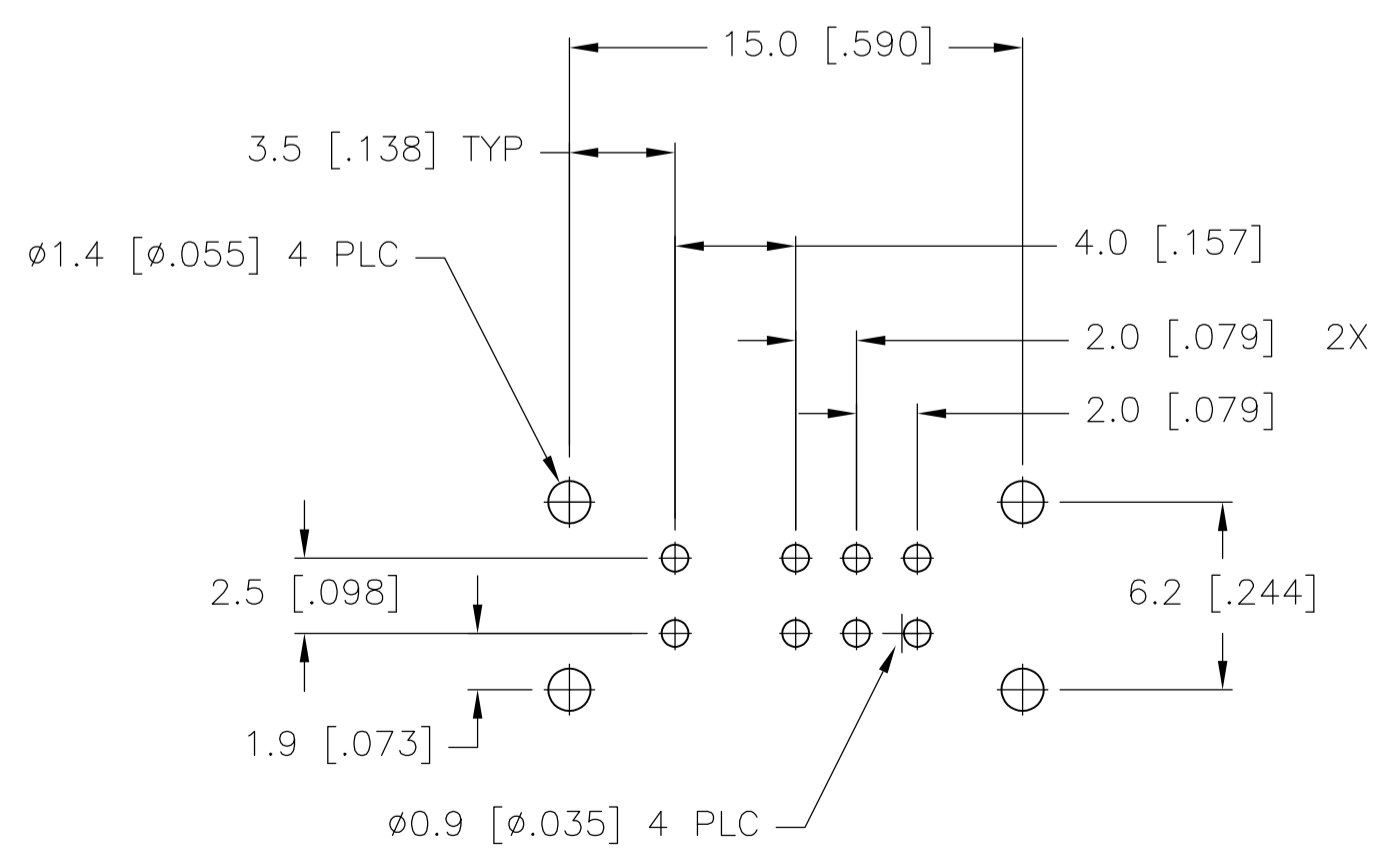
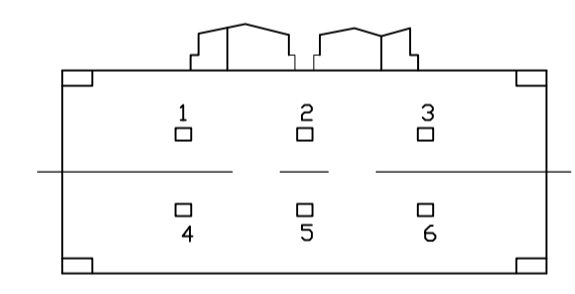
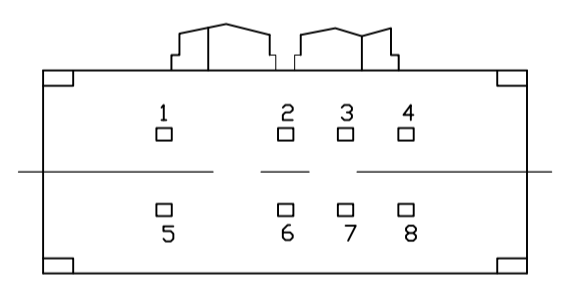
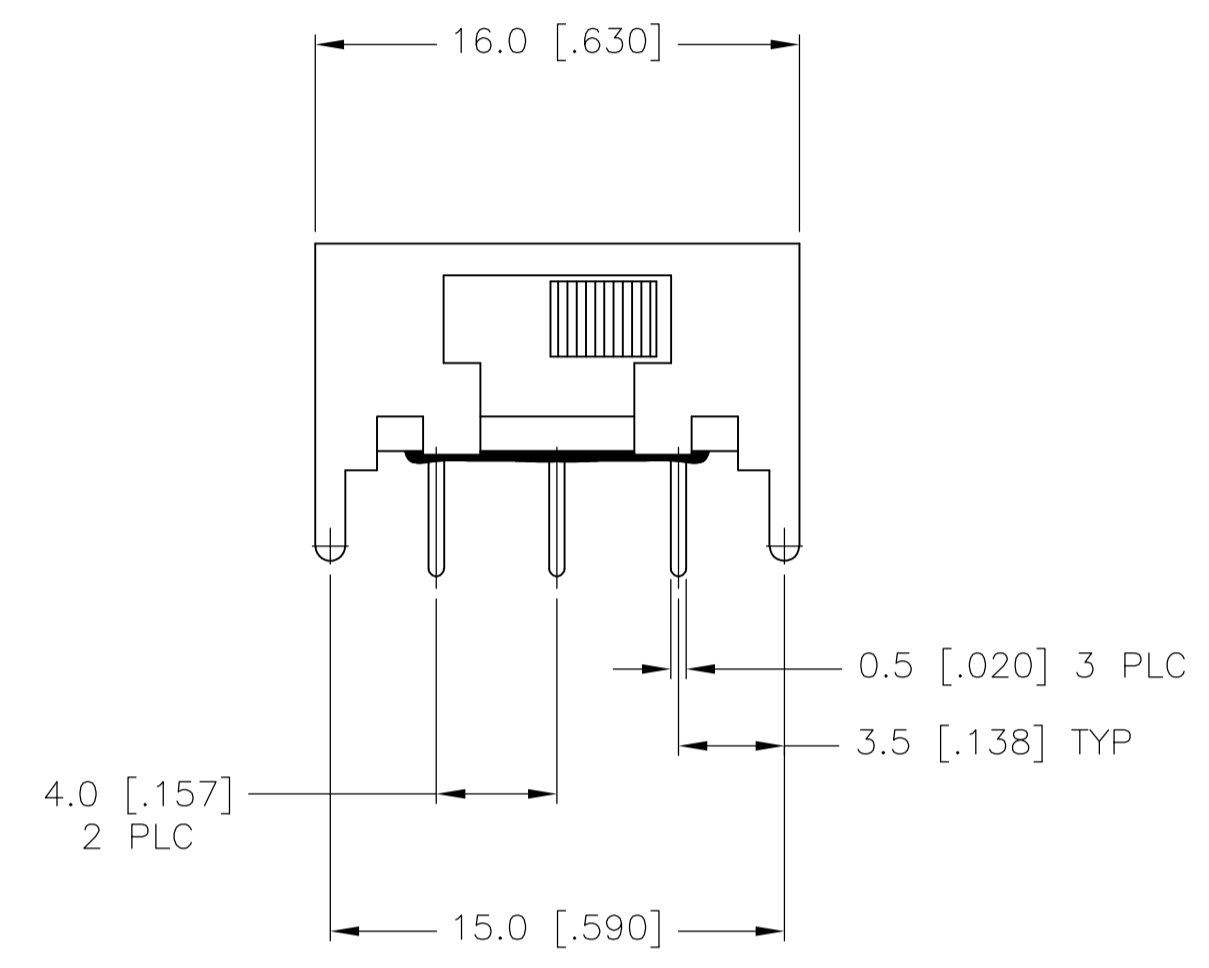
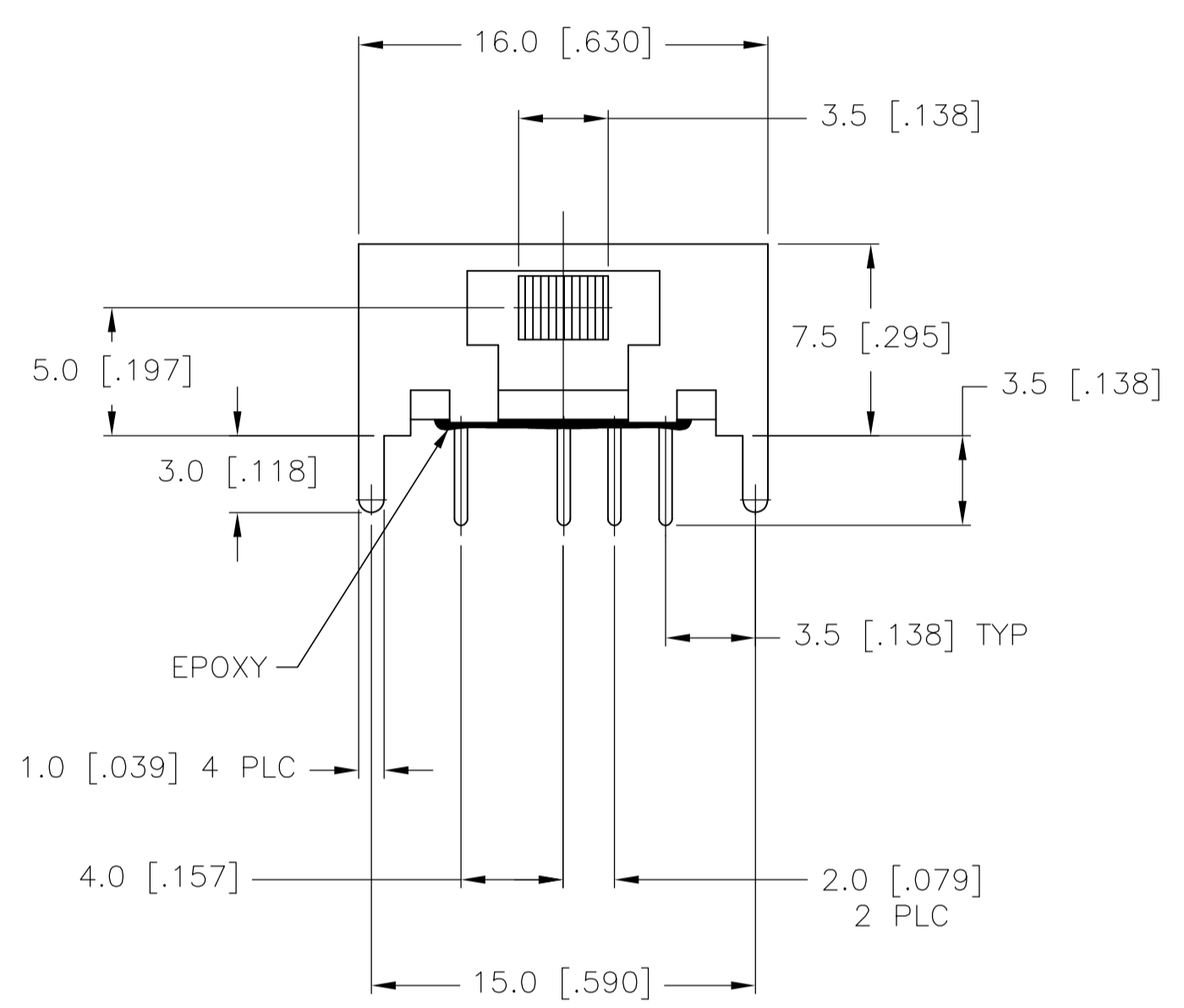
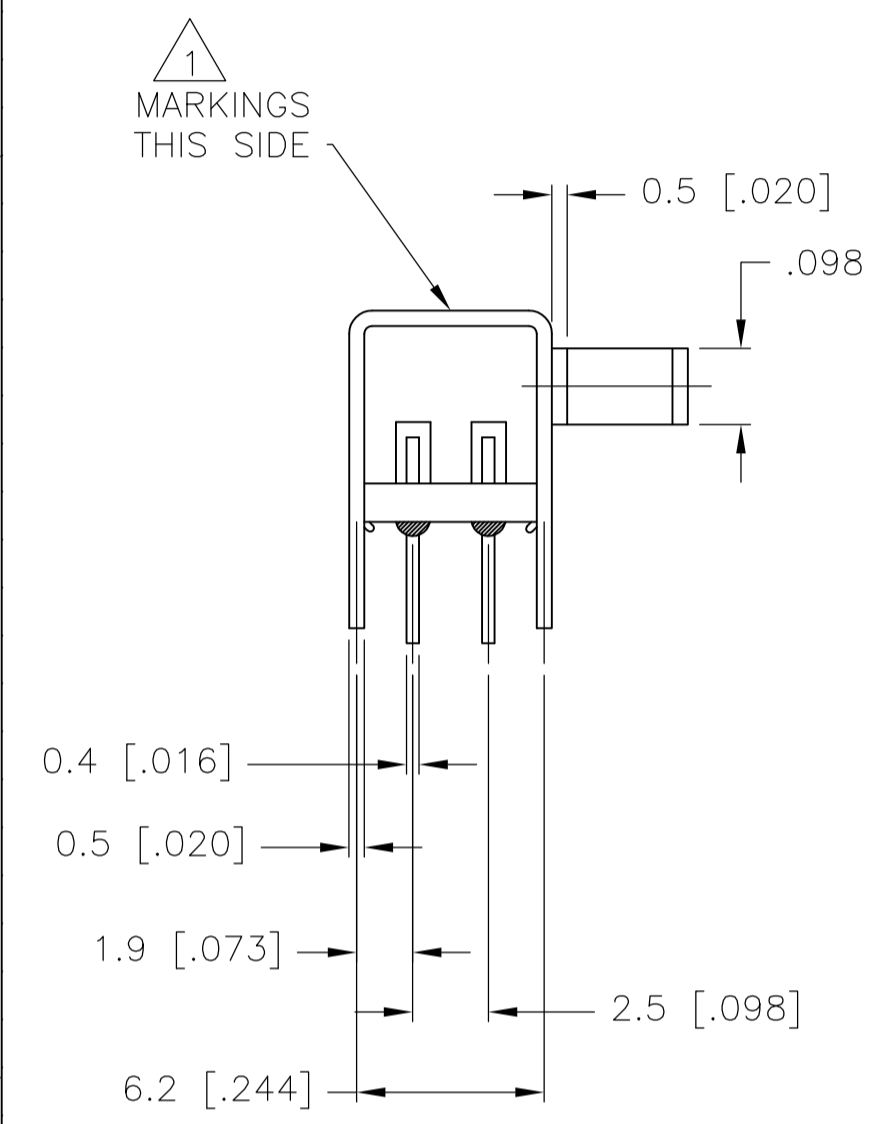
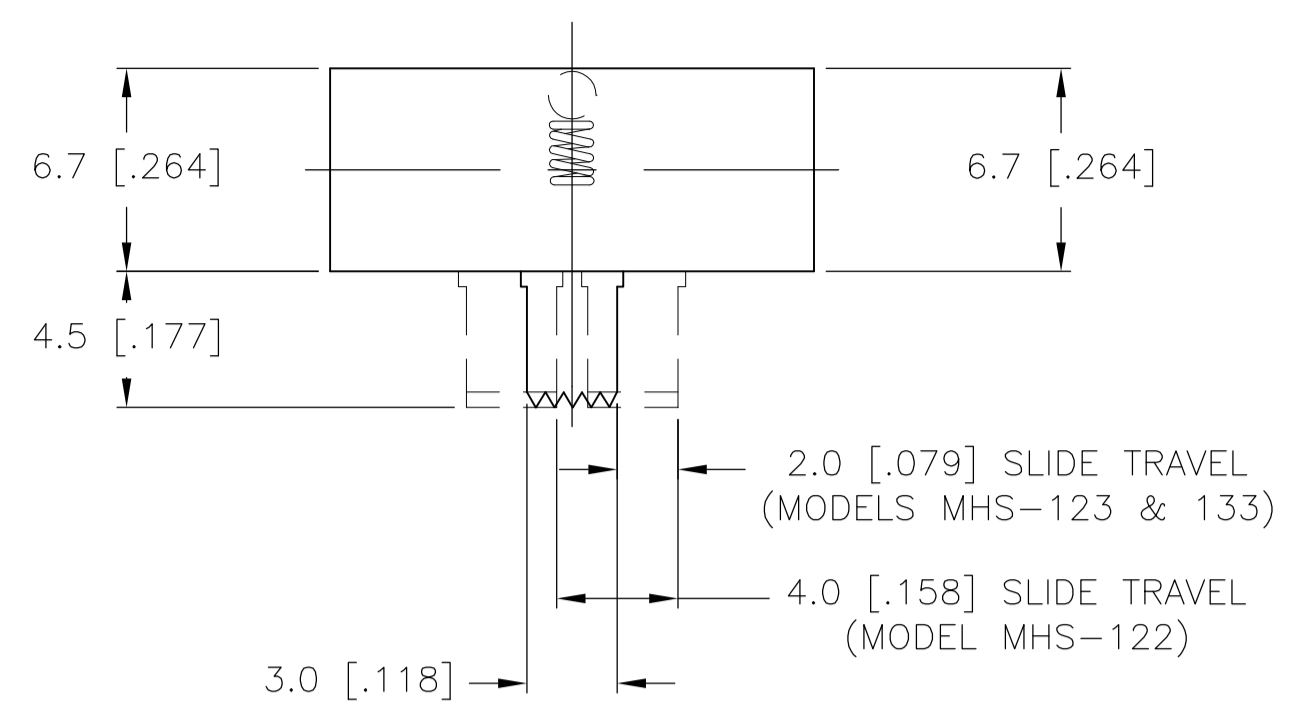
Contact us

Tel: +86-755-8981 8866 Fax: +86-755-8427 6832

Email & Skype: info@chipsmall.com Web: www.chipsmall.com

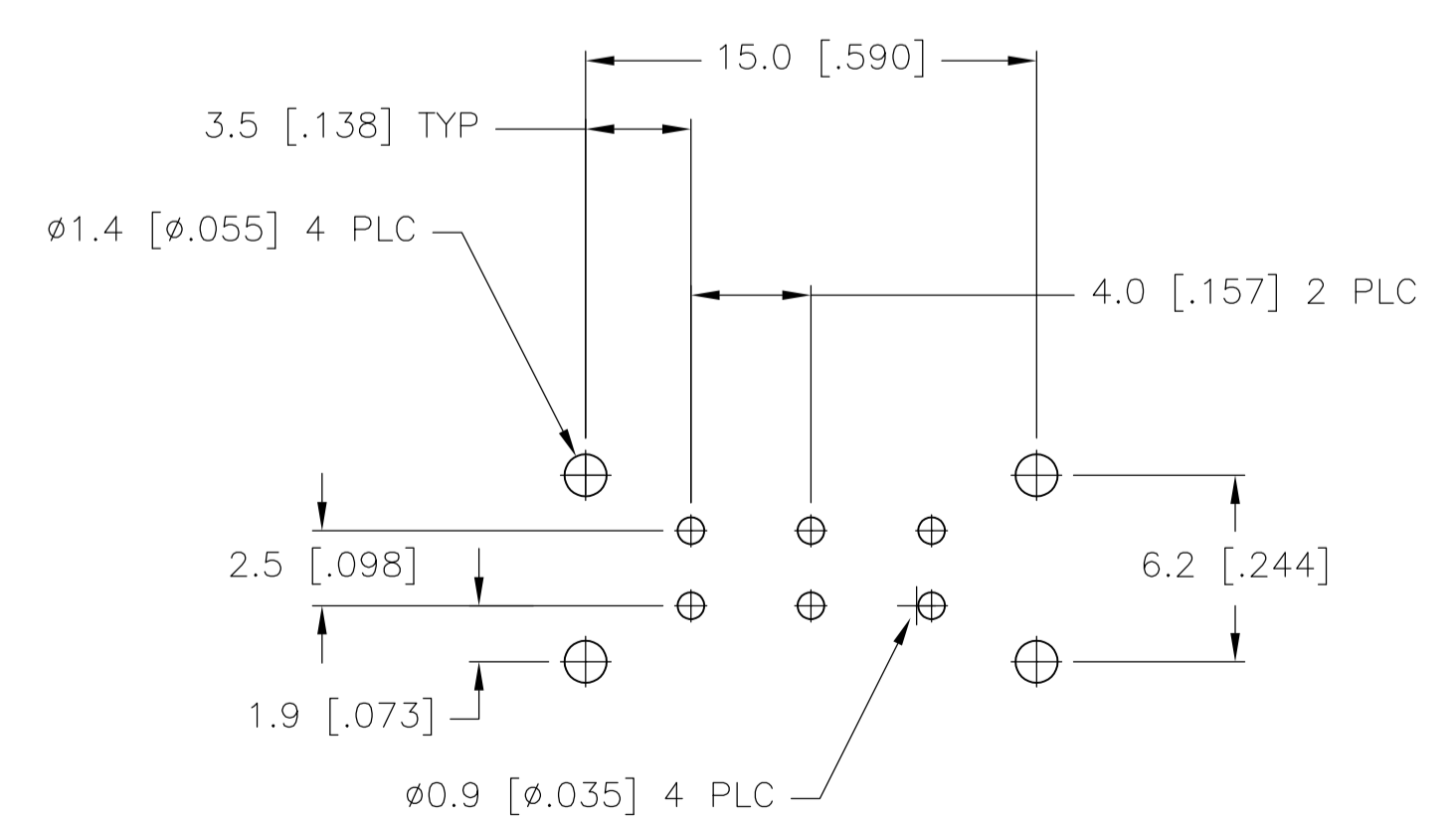
Address: A1208, Overseas Decoration Building, #122 Zhenhua RD., Futian, Shenzhen, China





RECOMMENDED BOARD LAYOUT
 PC LAYOUT TOLERANCE: ±.002

MHS233 SERIES SWITCH



RECOMMENDED BOARD LAYOUT
 PC LAYOUT TOLERANCE: ±.002

MHS222 & 223 SERIES SWITCH

SPECIFICATIONS
 MAKE-BEFORE-BREAK

MATERIALS:
 ACTUATOR- POM, UL94HB BLACK
 TERMINAL BOARD- PHENOLIC LAMINATED SHEET, UL94HB, NATURAL
 FRAME- STEEL, NICKEL PLATE
 TERMINAL/FIXED CONTACT- COPPER ALLOY, GOLD OR SILVER OVER NICKEL PLATE
 MOVING CONTACT- COPPER ALLOY, GOLD OR SILVER OVER NICKEL PLATE
 DETENT BALL- STEEL
 COIL SPRING- GALVANIZED SPRING WIRE
 SEAL- EPOXY

ELECTRICAL:
 CONTACT RATING- .4VA@20VDC OR PEAK AC (GOLD); 300mA@125V AC (SILVER)
 INITIAL CONTACT RESISTANCE- 30 milliohm max.
 FINAL CONTACT RESISTANCE- 100 milliohm max. (AFTER TEST)
 INSULATION RESISTANCE- 1,000 Megohms min.
 DIELECTRIC STRENGTH- 500V RMS@SEA LEVEL
 LIFE EXPECTANCY- 15,000 CYCLES MIN.

MECHANICAL:
 ACTUATION FORCE- 600+/-300 GRAMS
 TRAVEL- SEE P/N TABLE

ENVIRONMENTAL:
 OPERATING TEMPERATURE- -20 TO +85 DEGREES C
 STORAGE TEMPERATURE- -40 TO +100 DEGREES C
 RESISTANCE TO SOLDER HEAT PER 109-202, CONDITION B
 SOLDERABILITY PER EIA-364-52, CLASS 2, CATEGORY 1, 95% MIN COVERAGE

- 1 COUNTRY OF ORIGIN AND TE LOGO LOCATED APPROXIMATELY AS SHOWN
- 2 ALL MATERIALS AND FINISHES SHALL COMPLY WITH EU DIRECTIVE 2002/95/EC OF 27JAN2003 (ROHS)
- 3 ANTI SOLDER WICK SEAL AT TERMINAL TO BOARD INTERFACE
- 4 ALL PERFORMANCE TESTING WAS DONE IN ACCORDANCE TO TE SPECIFICATION 102-2469

1825290-1	MHS222RA04	DPDT	4.00		5-4 2-1	-	NONE	-	6-5 3-2	-
1825290-2	MHS223RA04	DPDT	2.00	SILVER	5-4 2-1	-	OFF	-	6-5 3-2	-
1825290-3	MHS233RA04	DP3T	2.00		-	6-5 2-1	-	7-6 3-2	-	8-6 4-2
1825290-4	MHS222GRA04	DPDT	4.00		5-4 2-1	-	NONE	-	6-5 3-2	-
1825290-5	MHS223GRA04	DPDT	2.00	GOLD	5-4 2-1	-	OFF	-	6-5 3-2	-
1825290-6	MHS233GRA04	DP3T	2.00		-	6-5 2-1	-	7-6 3-2	-	8-6 4-2
TE PART NO.	T&B PART NO.	TYPE	TRAVEL	CONTACT						
					1 2 3 4	1 2 3 4	1 2 3 4 5 6	1 2 3 4 5 6 7 8	1 2 3 4 5 6 7 8 9 10	1 2 3 4 5 6 7 8 9 10 11 12

TERMINALS CONNECTED WHEN SLIDE IS IN POSITION SHOWN.

THIS DRAWING IS A CONTROLLED DOCUMENT.

APPROVED BY: M. SARVER	DATE: 21DEC05	Tyco Electronics Corporation Harrisburg, PA 17105-3608
DESIGNED BY: R. BROWN	DATE: 21DEC05	
DIMENSIONS: mm TOLERANCES UNLESS OTHERWISE SPECIFIED: 0 PLC ± .3 1 PLC ± .3 [.012] 2 PLC ± .3 3 PLC ± .3 4 PLC ± .3 ANGLES ± 1°		NAME: SLIDE SWITCH, MHS SERIES, DOUBLE POLE, RIGHT ANGLE APPLICATION SPEC: - SIZE: A1 CASE CODE: 00779 DRAWING NO: 1825290 WEIGHT: - CUSTOMER DRAWING: -
MATERIAL: - FINISH: -		SCALE: 4:1 SHEET 1 OF 1 REV A2