



Chipsmall Limited consists of a professional team with an average of over 10 year of expertise in the distribution of electronic components. Based in Hongkong, we have already established firm and mutual-benefit business relationships with customers from,Europe,America and south Asia,supplying obsolete and hard-to-find components to meet their specific needs.

With the principle of “Quality Parts,Customers Priority,Honest Operation,and Considerate Service”,our business mainly focus on the distribution of electronic components. Line cards we deal with include Microchip,ALPS,ROHM,Xilinx,Pulse,ON,Everlight and Freescale. Main products comprise IC,Modules,Potentiometer,IC Socket,Relay,Connector.Our parts cover such applications as commercial,industrial, and automotives areas.

We are looking forward to setting up business relationship with you and hope to provide you with the best service and solution. Let us make a better world for our industry!



Contact us

Tel: +86-755-8981 8866 Fax: +86-755-8427 6832

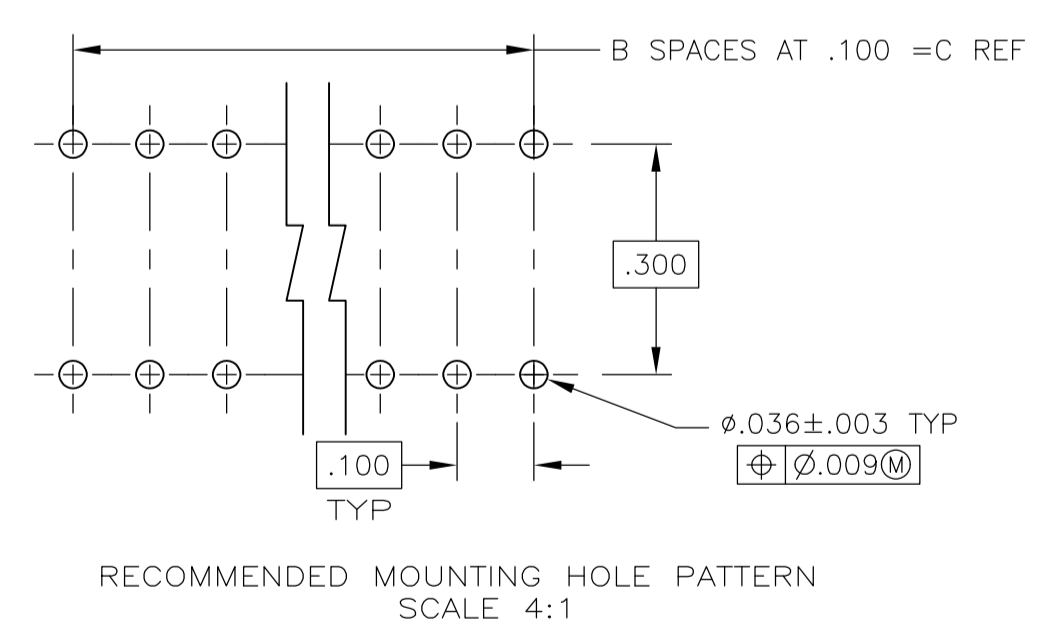
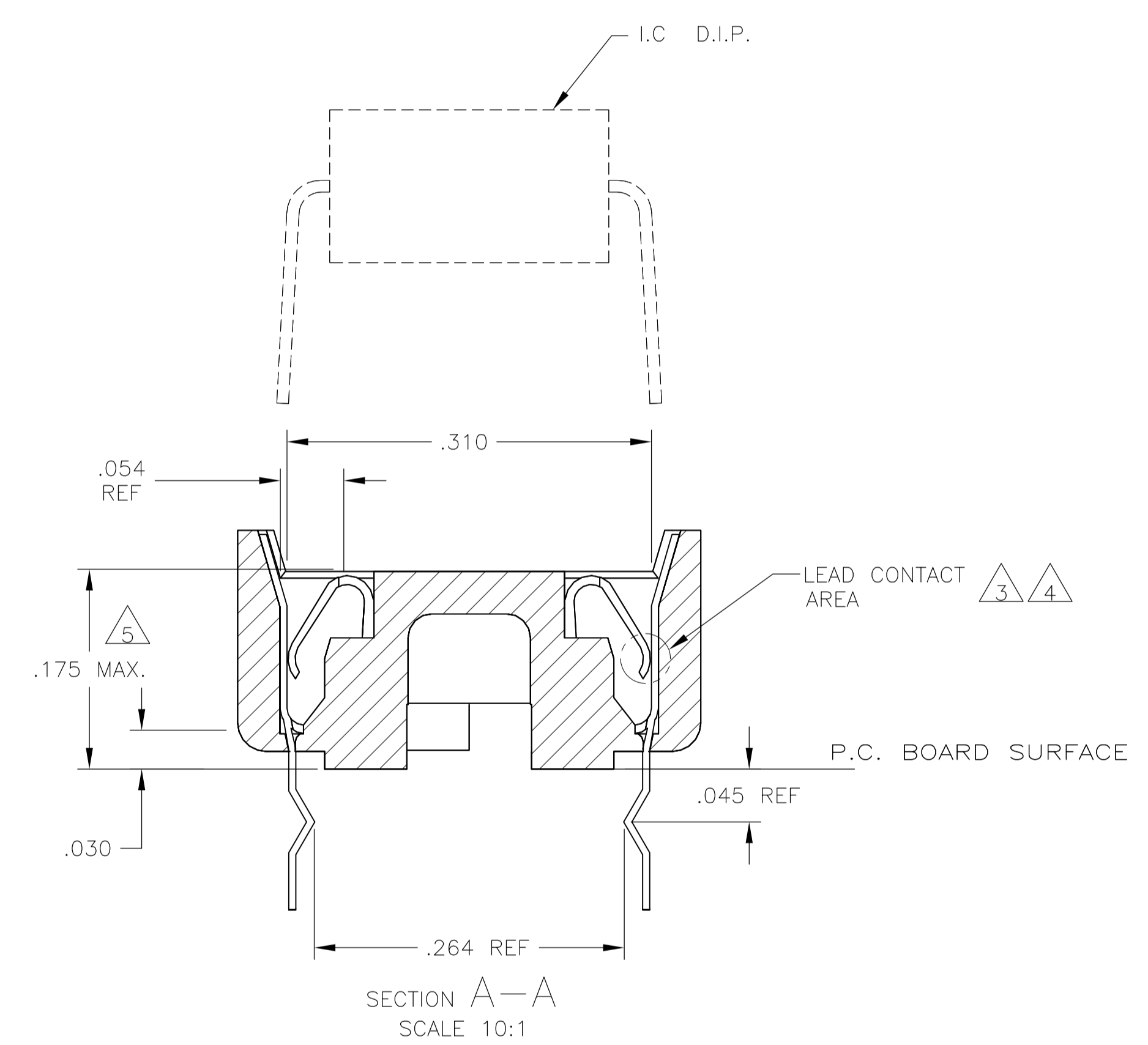
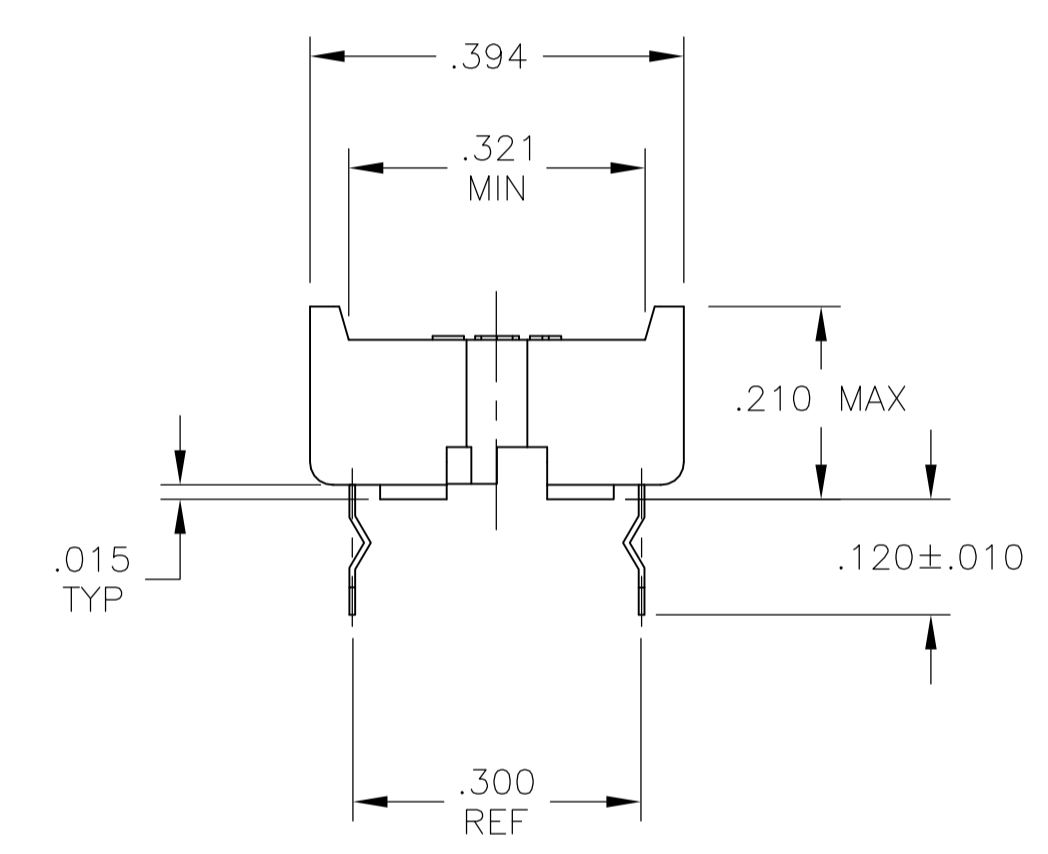
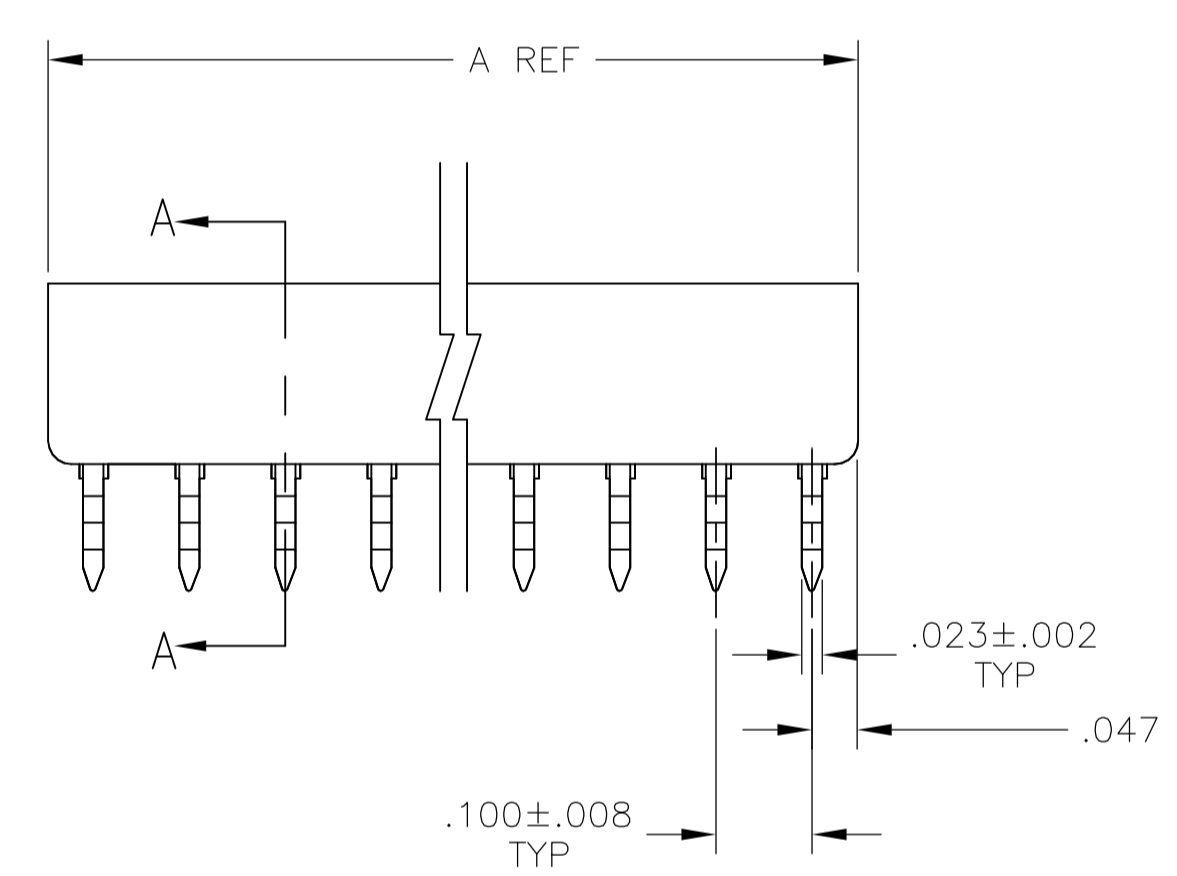
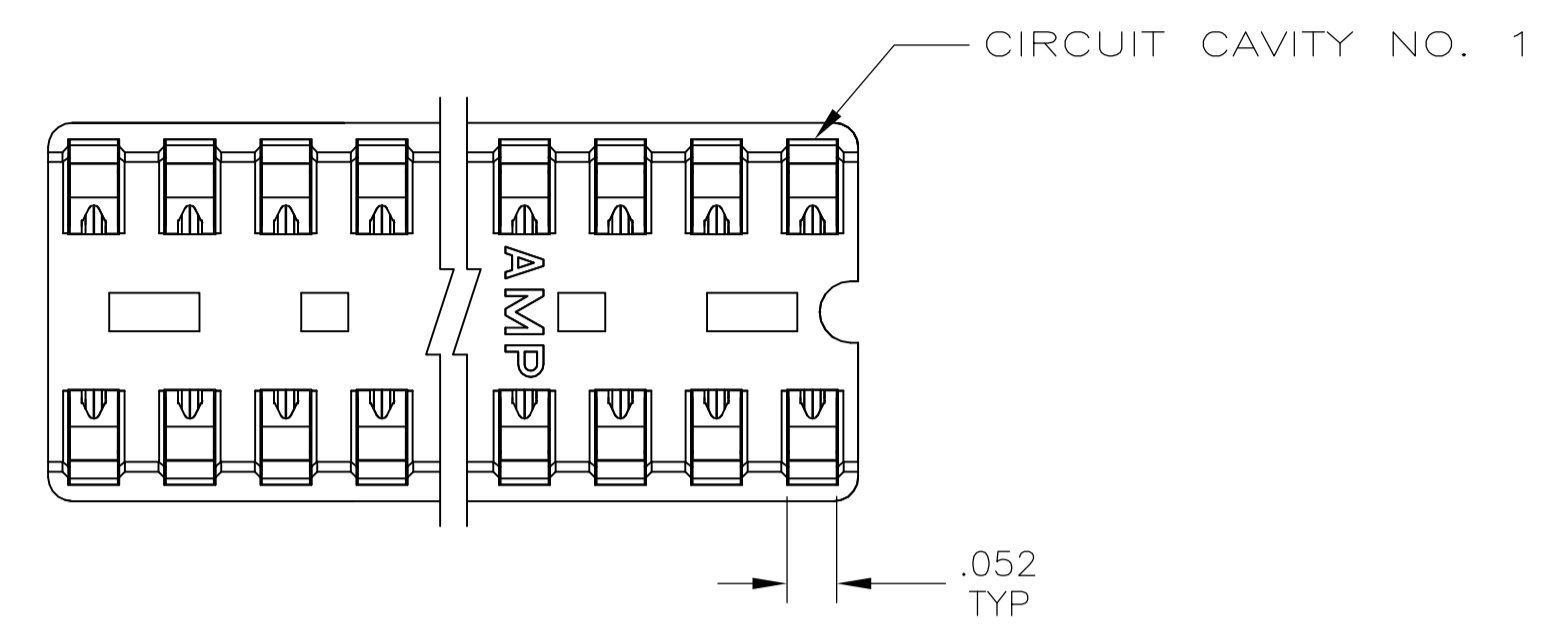
Email & Skype: info@chipsmall.com Web: www.chipsmall.com

Address: A1208, Overseas Decoration Building, #122 Zhenhua RD., Futian, Shenzhen, China



| LOC | DIST | REVISIONS | | | | |
|-----|------|-----------|---------------------------|-----------|----|------|
| AD | 00 | REV | DESCRIPTION | DATE | BY | APPV |
| | | A | ECO-05-013690 | 29DEC2005 | RB | DR |
| | | A1 | REVISED PER ECO-09-024927 | 07NOV09 | KK | AEG |

1. RECEPTACLE ACCEPTS A .008-.014 THICK I.C. LEAD.
2. TUBE LOADED FOR AUTOMATIC INSERTION.
3. BECU CONTACT-PLATED WITH TWO .000030 MIN THK. GOLD STRIPES IN CONTACT AREA WITH TIN ON CONTACT LEGS, BALANCE OF CONTACT NICKEL PLATED.
4. PHOS. BRONZE CONTACT- PLATED WITH TWO .000015 MIN THK. GOLD STRIPES IN CONTACT AREA WITH TIN ON CONTACT LEGS, BALANCE OF CONTACT NICKEL PLATED.
5. MAXIMUM DIMENSION FOR I.C. SEATING PLANE.
6. HOUSING MATERIAL-GLASS FILLED THERMOPLASTIC, BLACK, 94V-0
7. OBSOLETE PARTS: OBSOLETE CIS STREAMLINING PER D.RENAUD/D.SINISI



| CONTACT & FINISH | DIM C | B SPCS | DIM A | POSITION | PART NO. |
|------------------|-------|--------|-------|----------|-------------|
| OBsolete | .900 | 9 | .995 | 20 | 1-1825373-6 |
| OBsolete | .800 | 8 | .895 | 18 | 1-1825373-5 |
| OBsolete | .700 | 7 | .795 | 16 | 1-1825373-4 |
| OBsolete | .600 | 6 | .695 | 14 | 1-1825373-3 |
| OBsolete | .300 | 3 | .395 | 8 | 1-1825373-2 |
| OBsolete | .200 | 2 | .295 | 6 | 1-1825373-1 |
| OBsolete | .900 | 9 | .995 | 20 | 1825373-6 |
| OBsolete | .800 | 8 | .895 | 18 | 1825373-5 |
| OBsolete | .700 | 7 | .795 | 16 | 1825373-4 |
| OBsolete | .600 | 6 | .695 | 14 | 1825373-3 |
| OBsolete | .300 | 3 | .395 | 8 | 1825373-2 |
| OBsolete | .200 | 2 | .295 | 6 | 1825373-1 |

THIS DRAWING IS A CONTROLLED DOCUMENT.

| | | | |
|--------------------|--|------------------------|--|
| DIMENSIONS: INCHES | TOLERANCES UNLESS OTHERWISE SPECIFIED: | DIN R BROWN 29DEC2005 | Tyco Electronics Corporation Harrisburg, Pa 17105-3608 |
| 0 PLC ± - | 1 PLC ± - | CHK D ROHDE 29DEC2005 | |
| 2 PLC ± - | 3 PLC ± - | APPV D ROHDE 29DEC2005 | NAME |
| 4 PLC ± - | ANGLES ± - | | DIP SOCKET ASSY, CLOSED, DIPLOMATE, RETENTIVE LEAD, .300 CL, LEAD FREE |
| MATERIAL | FINISH | WEIGHT | SIZE CAGE CODE DRAWING NO. RESTRICTED TO |
| | | | A1 00779 C=1825373 |
| CUSTOMER DRAWING | | SCALE 5:1 | SHEET 1 OF 1 REV A1 |