



Chipsmall Limited consists of a professional team with an average of over 10 year of expertise in the distribution of electronic components. Based in Hongkong, we have already established firm and mutual-benefit business relationships with customers from,Europe,America and south Asia,supplying obsolete and hard-to-find components to meet their specific needs.

With the principle of “Quality Parts,Customers Priority,Honest Operation,and Considerate Service”,our business mainly focus on the distribution of electronic components. Line cards we deal with include Microchip,ALPS,ROHM,Xilinx,Pulse,ON,Everlight and Freescale. Main products comprise IC,Modules,Potentiometer,IC Socket,Relay,Connector.Our parts cover such applications as commercial,industrial, and automotives areas.

We are looking forward to setting up business relationship with you and hope to provide you with the best service and solution. Let us make a better world for our industry!



## Contact us

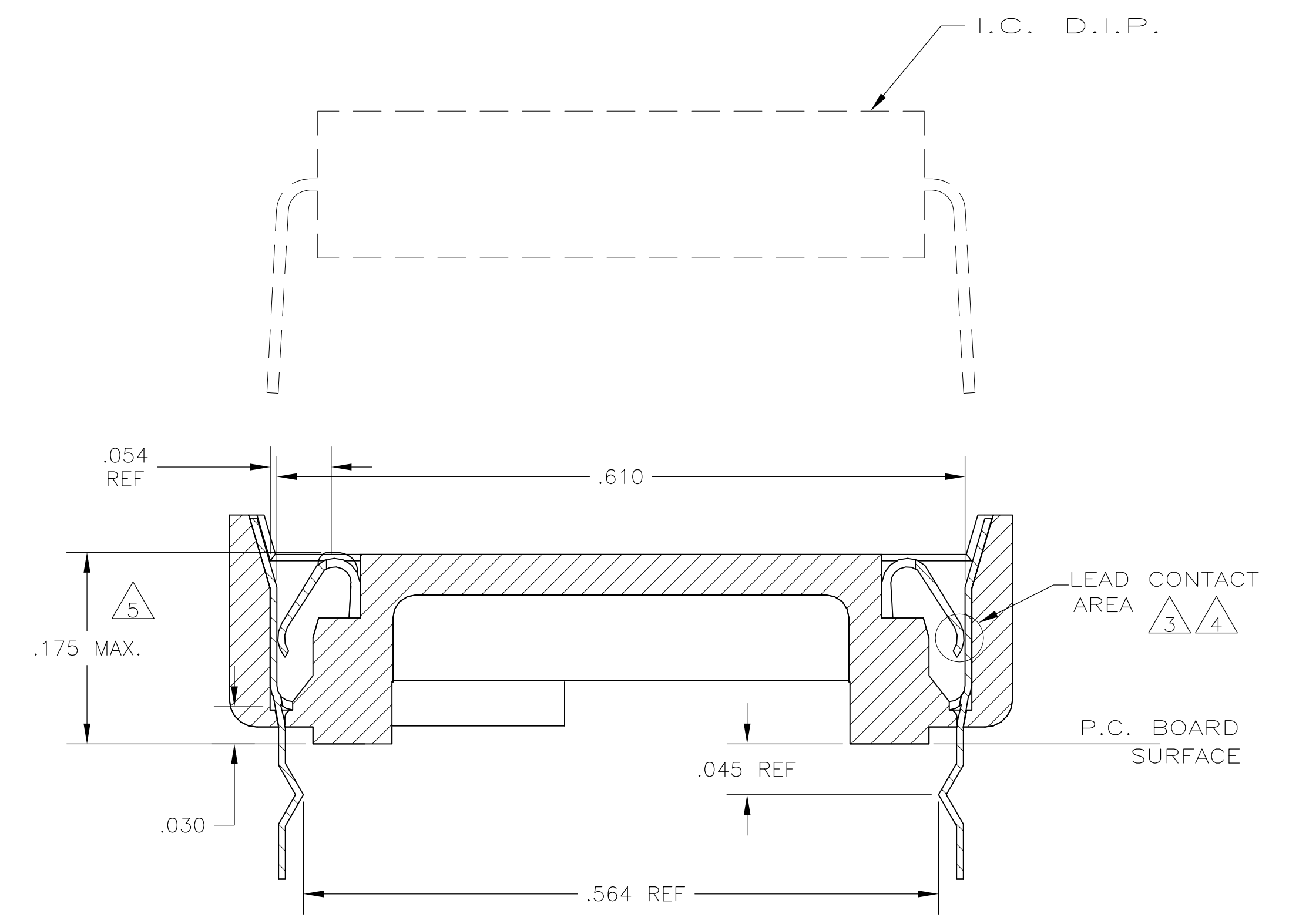
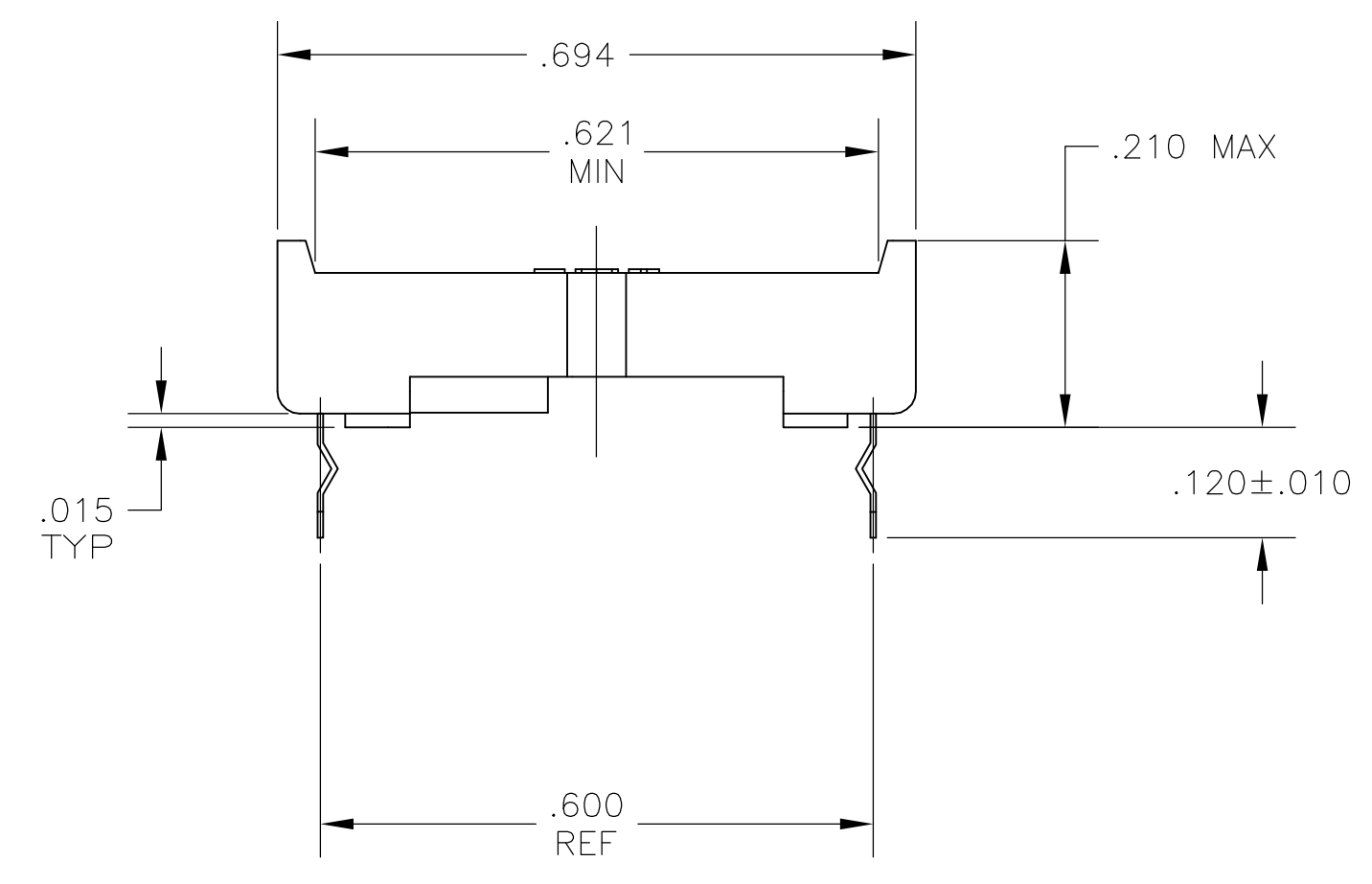
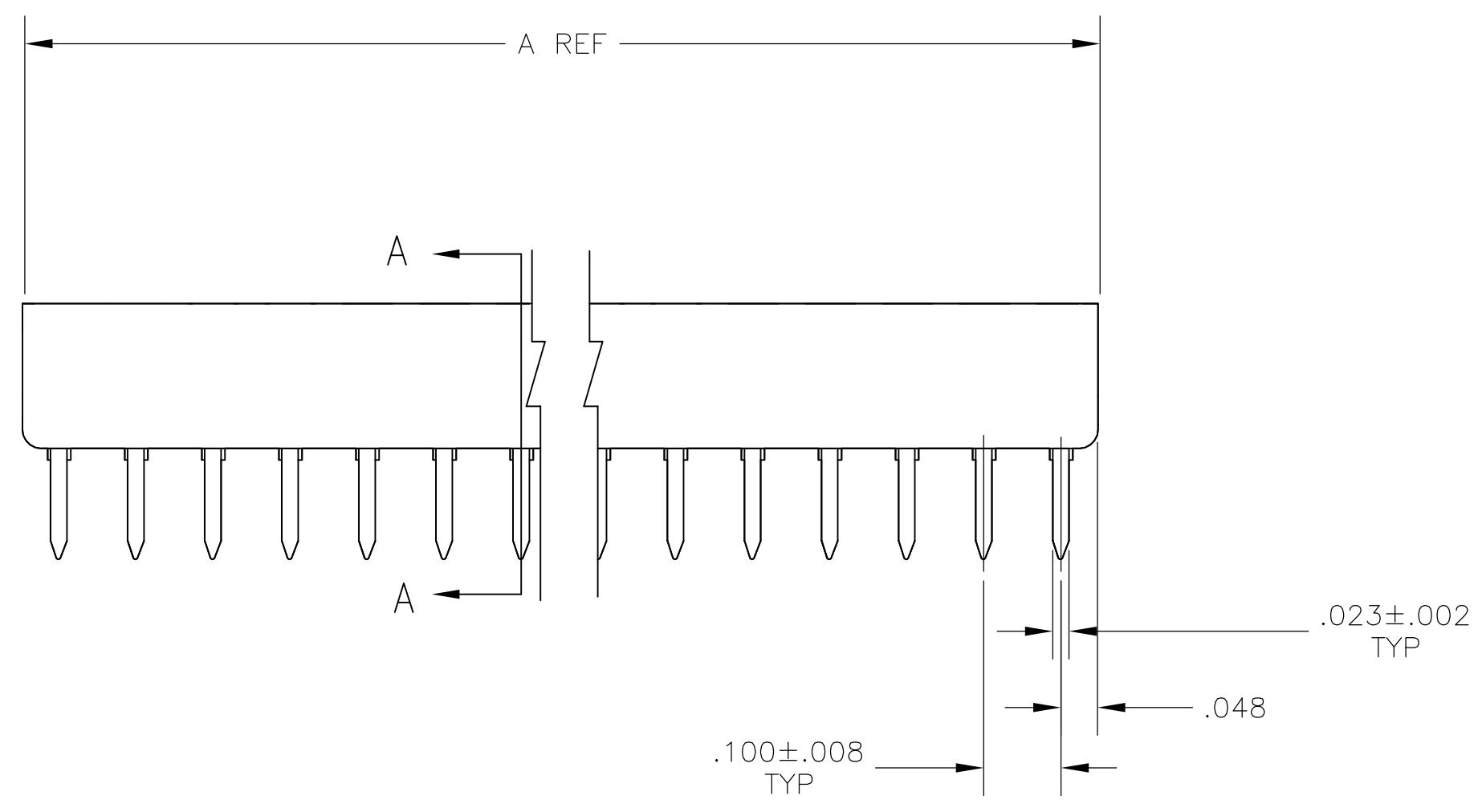
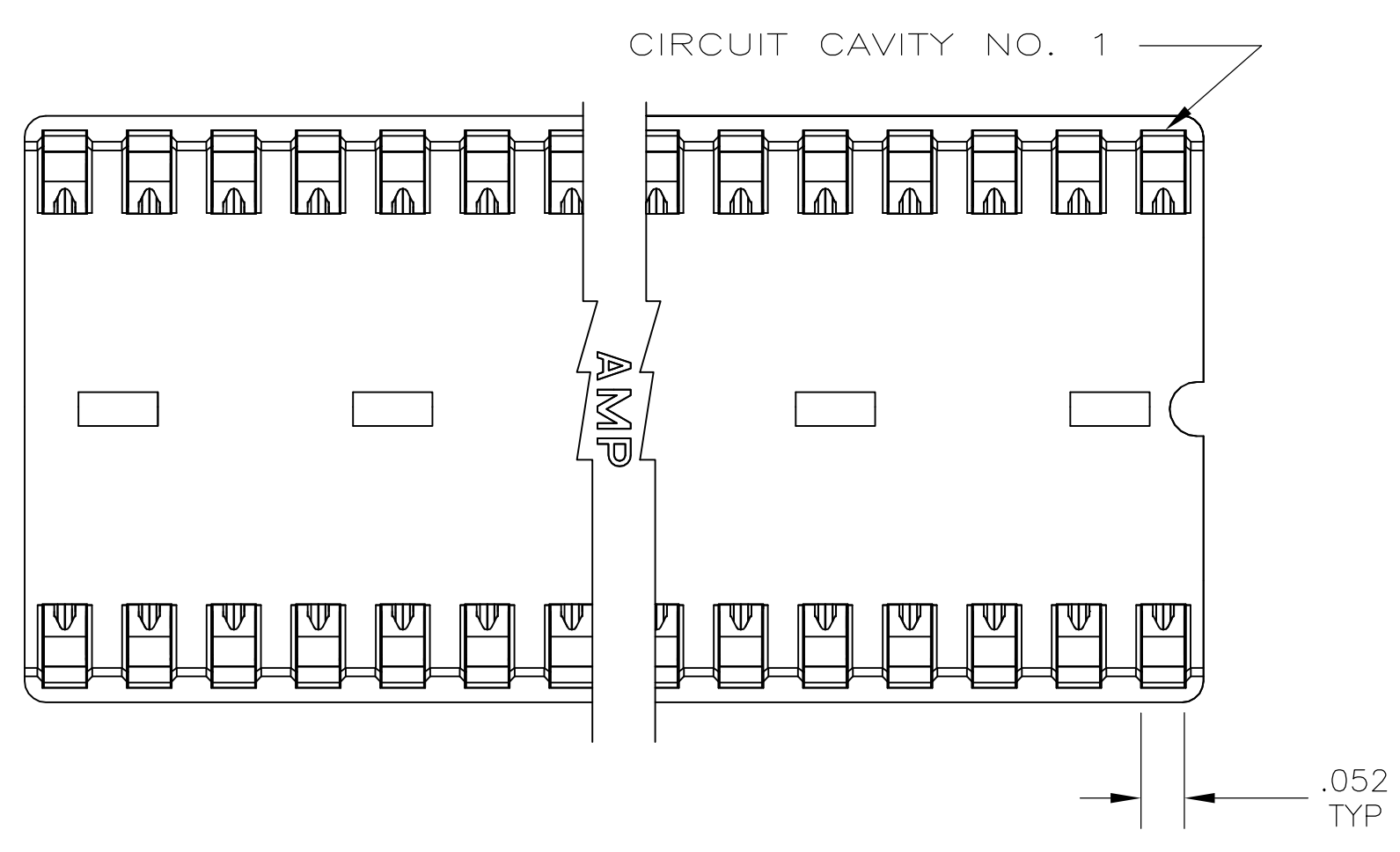
Tel: +86-755-8981 8866 Fax: +86-755-8427 6832

Email & Skype: info@chipsmall.com Web: www.chipsmall.com

Address: A1208, Overseas Decoration Building, #122 Zhenhua RD., Futian, Shenzhen, China

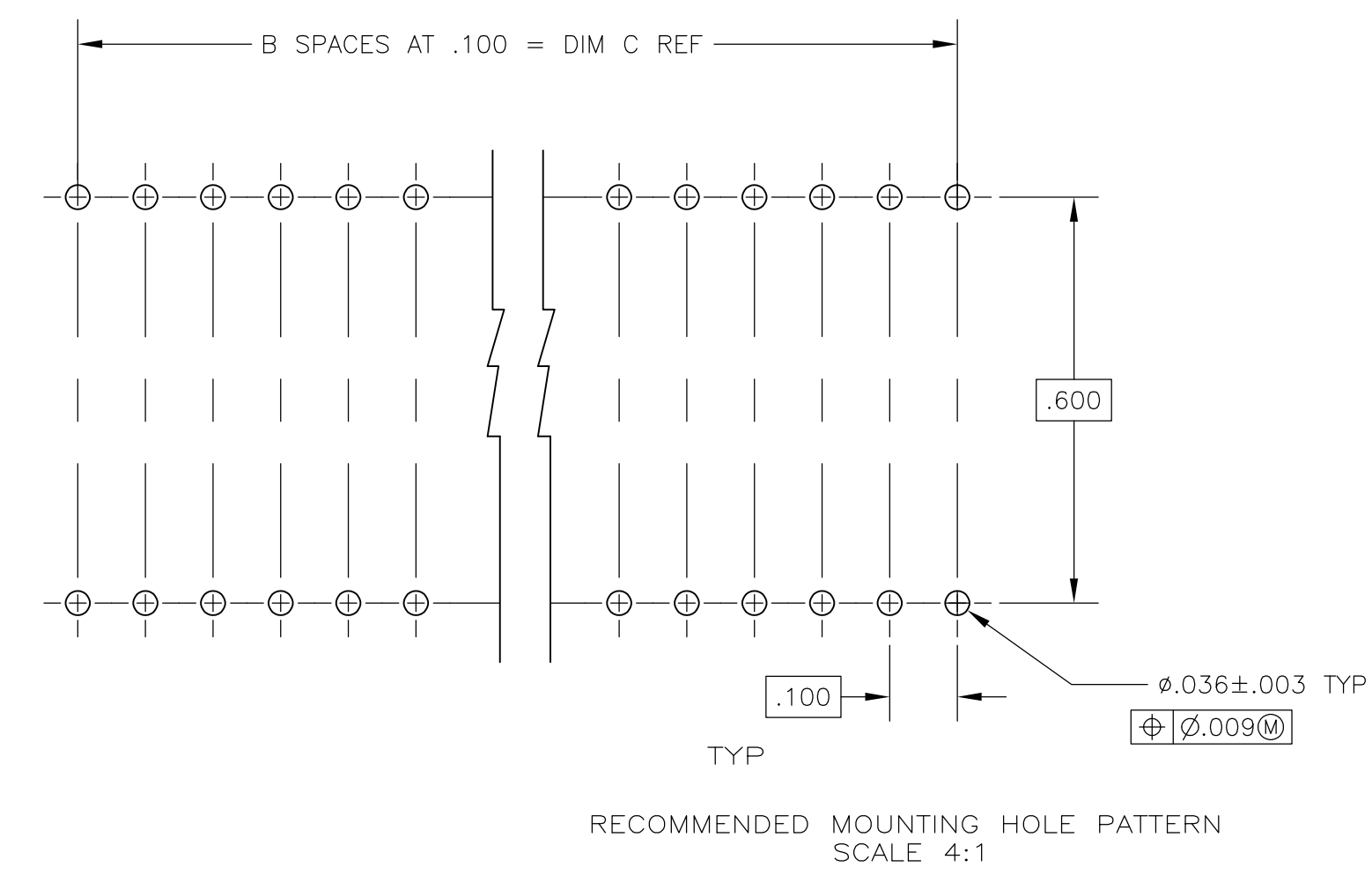


LOC		DIST		REVISIONS			
AD	00	REV	DATE	BY	CHK	APPV	
A	ECO-05-013690	02JAN05	BSV	KD			
A1	REVISED PER ECO-09-024927	07NOV09	KK	AEG			



SECTION A-A  
SCALE 10:1

1. RECEPTACLE ACCEPTS A .008-.014 THICK I.C. LEAD.
2. TUBE LOADED FOR AUTOMATIC INSERTION.
3. BECU CONTACT-PLATED WITH TWO .000030 MIN THK. GOLD STRIPES IN CONTACT AREA WITH TIN ON CONTACT LEGS, BALANCE OF CONTACT NICKEL PLATED.
4. PHOS BRONZE CONTACT-PLATED TWO .000015 MIN THK. GOLD STRIPES IN CONTACT AREA WITH TIN ON CONTACT LEGS, BALANCE OF CONTACT NICKEL PLATED.
5. MAXIMUM DIMENSION FOR I.C. SEATING PLANE.
6. HOUSING MATERIAL- GLASS FILLED THERMOPLASTIC, BLACK, 94V-0
7. OBSOLETE PARTS: OBSOLETE CIS STREAMLINING PER D.RENAUD/D.SINISI



OBsolete	3	1.900	19	1.995	40	1-1825375-3
	3	1.300	13	1.395	28	1-1825375-2
	4	1.100	11	1.195	24	1-1825375-1
	4	1.900	19	1.995	40	1825375-3
	4	1.300	13	1.395	28	1825375-2
	4	1.100	11	1.195	24	1825375-1

CONTACT & FINISH	DIM C	B SPCS	DIM A	POSITION	PART NO.
0. PLC ± -	1.900	19	1.995	40	1-1825375-3
1. PLC ± -	1.300	13	1.395	28	1-1825375-2
2. PLC ± -	1.100	11	1.195	24	1-1825375-1
3. PLC ± -	1.900	19	1.995	40	1825375-3
4. PLC ± -	1.300	13	1.395	28	1825375-2
ANGLES ± -	1.100	11	1.195	24	1825375-1

THIS DRAWING IS A CONTROLLED DOCUMENT.		DIN B.S.VISWESWARA 21APR2005		Tyco Electronics Corporation	
DIMENSIONS: INCHES		TOLERANCES UNLESS OTHERWISE SPECIFIED:		Harrisburg, Pa 17105-3608	
0. PLC ± -	1.900	19	1.995	40	1-1825375-3
1. PLC ± -	1.300	13	1.395	28	1-1825375-2
2. PLC ± -	1.100	11	1.195	24	1-1825375-1
3. PLC ± -	1.900	19	1.995	40	1825375-3
4. PLC ± -	1.300	13	1.395	28	1825375-2
ANGLES ± -	1.100	11	1.195	24	1825375-1

MATERIAL		FINISH		WEIGHT		SIZE		CAGE CODE		DRAWING NO		RESTRICTED TO	
						A1		00779		1825375			
CUSTOMER DRAWING		SCALE 5:1		SHEET 1 OF 1		REV A1							