



Chipsmall Limited consists of a professional team with an average of over 10 year of expertise in the distribution of electronic components. Based in Hongkong, we have already established firm and mutual-benefit business relationships with customers from,Europe,America and south Asia,supplying obsolete and hard-to-find components to meet their specific needs.

With the principle of “Quality Parts,Customers Priority,Honest Operation,and Considerate Service”,our business mainly focus on the distribution of electronic components. Line cards we deal with include Microchip,ALPS,ROHM,Xilinx,Pulse,ON,Everlight and Freescale. Main products comprise IC,Modules,Potentiometer,IC Socket,Relay,Connector.Our parts cover such applications as commercial,industrial, and automotives areas.

We are looking forward to setting up business relationship with you and hope to provide you with the best service and solution. Let us make a better world for our industry!



Contact us

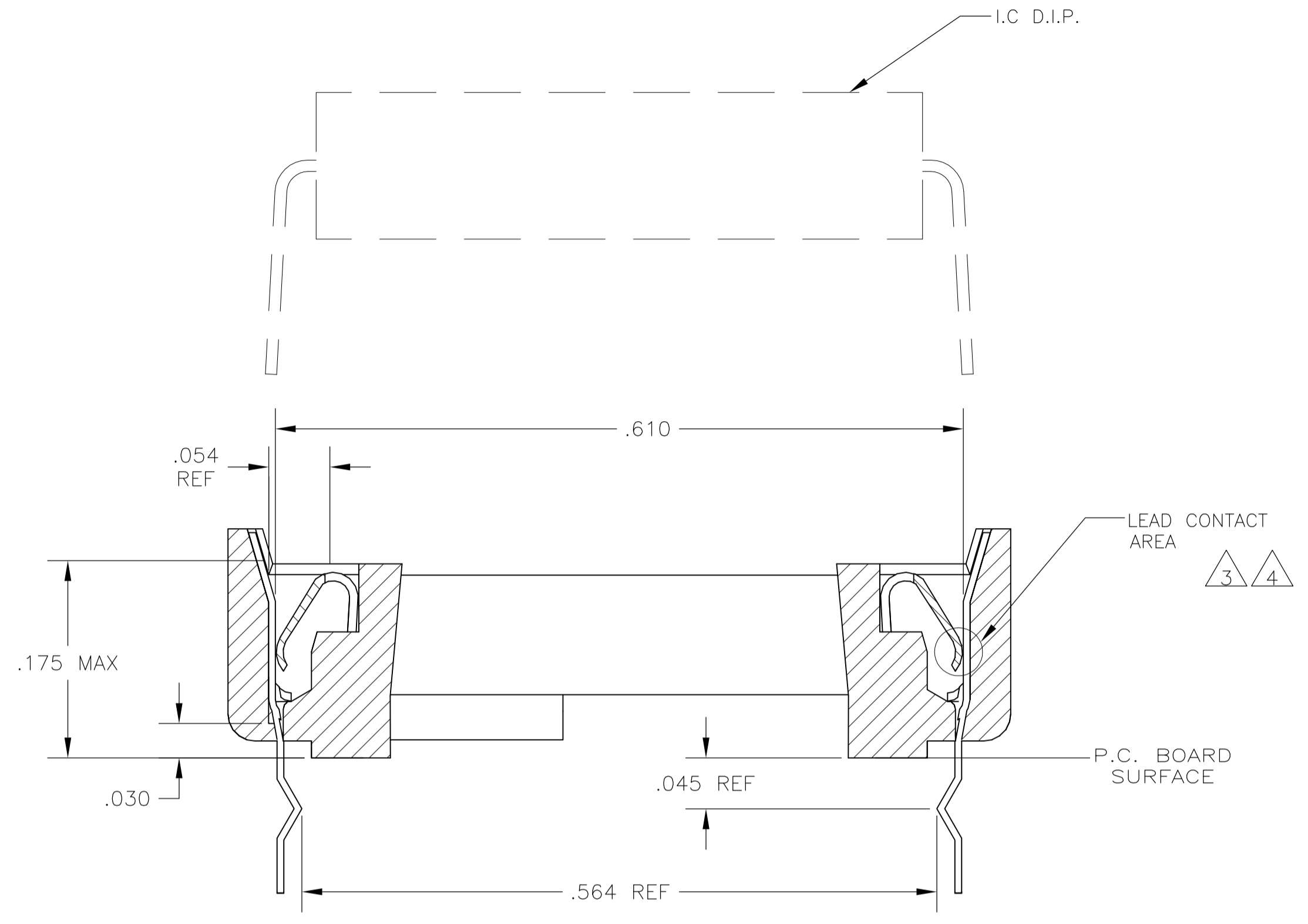
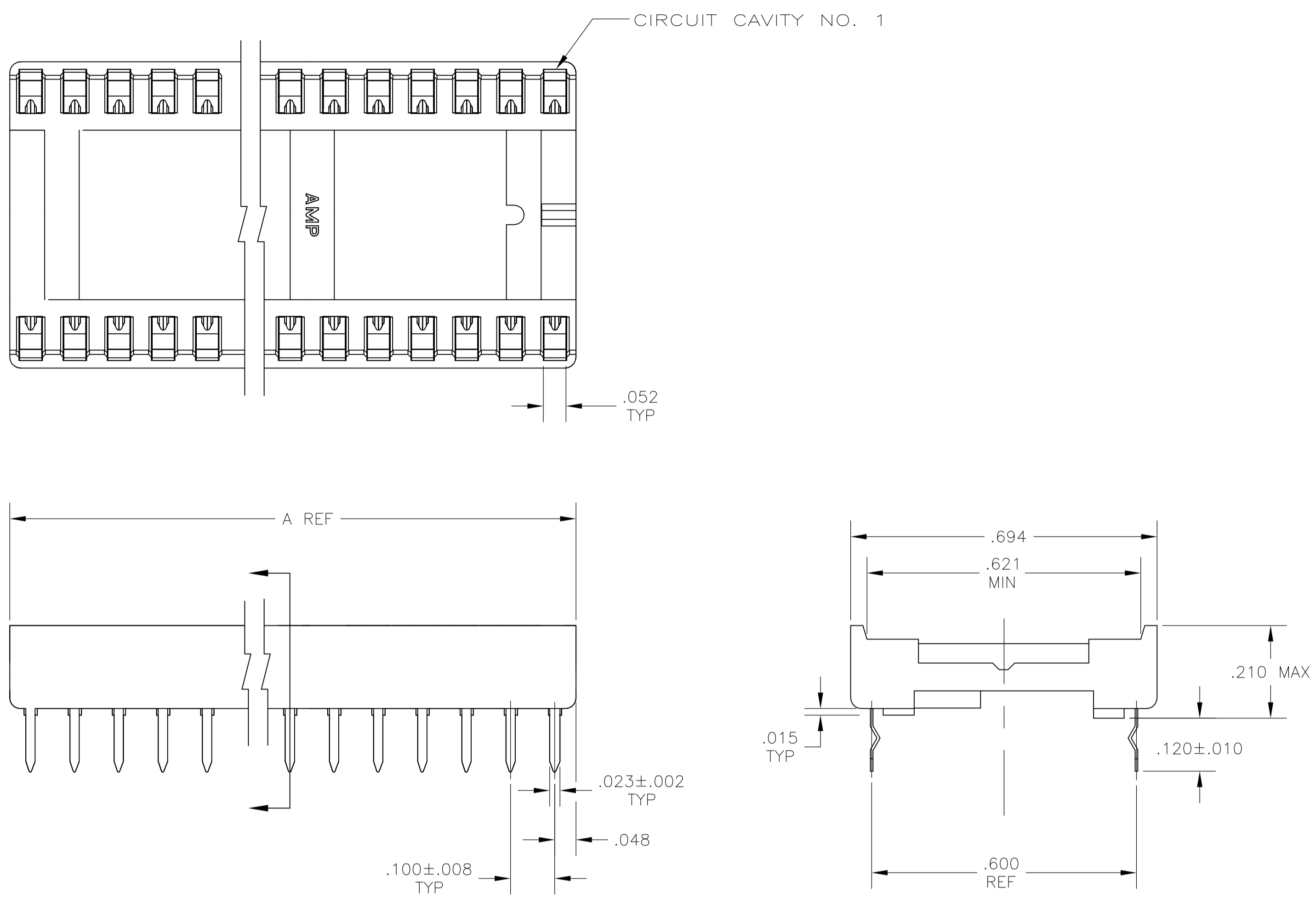
Tel: +86-755-8981 8866 Fax: +86-755-8427 6832

Email & Skype: info@chipsmall.com Web: www.chipsmall.com

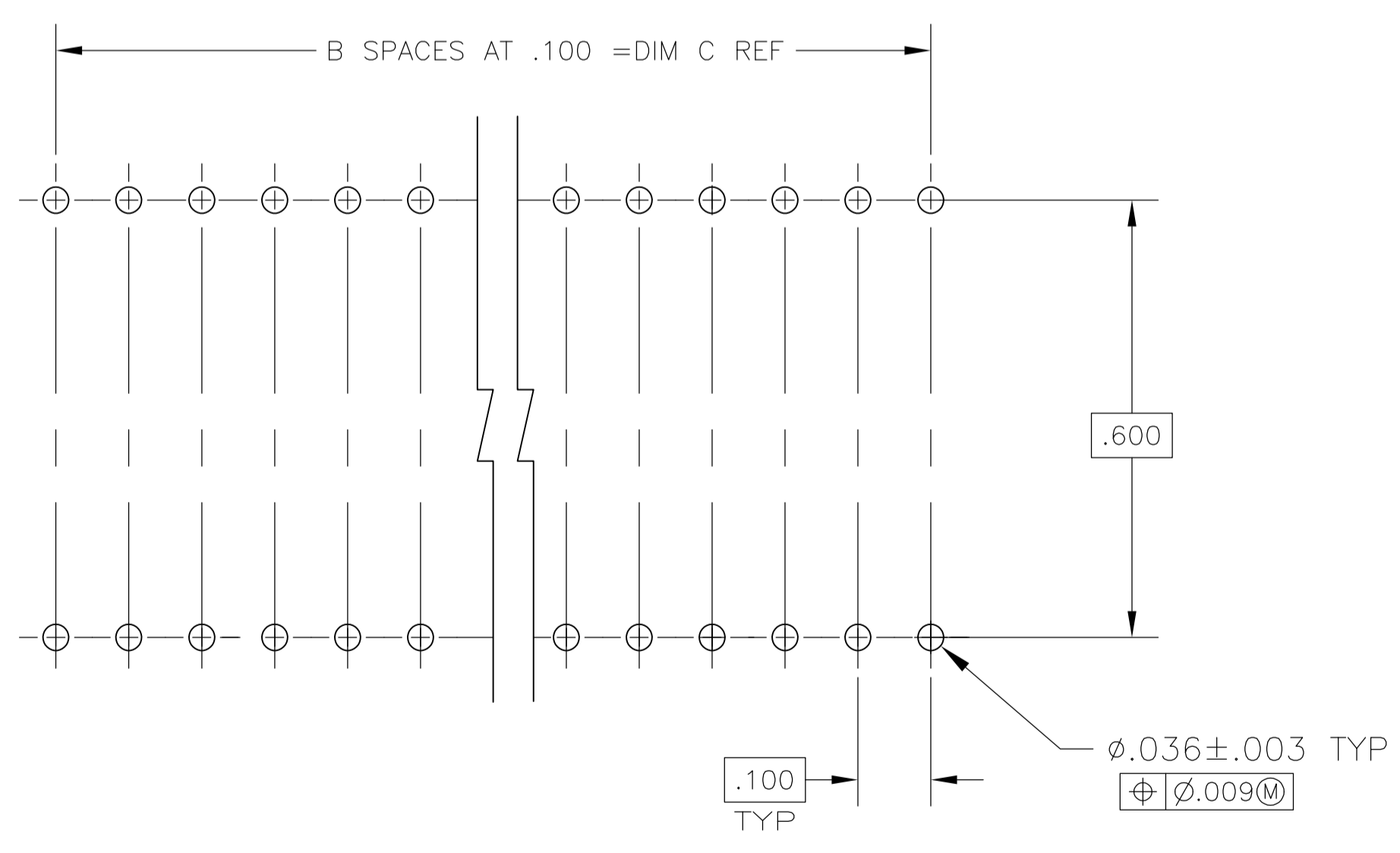
Address: A1208, Overseas Decoration Building, #122 Zhenhua RD., Futian, Shenzhen, China



LOC		DIST		REVISIONS			
AD	00	REV	DATE	BY	CHK	APPV	
A	ECO-05-013690		03JAN05	BSV		KD	
A1	REVISED PER ECO-10-000444		19JAN10	KK		HMR	



SECTION A-A
SCALE 10:1



RECOMMENDED MOUNTING HOLE PATTERN
SCALE 4:1

- 1 RECEPTACLE ACCEPTS A .008-.014 THICK I.C. LEAD.
- 2 TUBE LOADED FOR AUTOMATIC INSERTION.
- 3 BECU CONTACT - PLATED WITH TWO .000030 MIN THICK GOLD STRIPES IN CONTACT AREA WITH TIN ON CONTACT LEGS, BALANCE OF CONTACT NICKEL PLATED.
- 4 PHOS. BRZ CONTACT - PLATED WITH TWO .000015 MIN THK. GOLD STRIPES IN CONTACT AREA WITH TIN ON CONTACT LEGS, BALANCE OF CONTACT NICKEL PLATED.
- 5 GLASS FILLED THERMOPLASTIC, 94V-0, BLACK
- 6 OBSOLETE PARTS: OBSOLETE CIS STREAMLINING PER D.RENAUD/D.SINISI

CONTACT & FINISH	DIM C	B SPCS	DIM A	POSITION	PART NO.
6 OBSOLETE	3	23	2.395	48	1-1825376-4
	3	19	1.995	40	1-1825376-3
	3	13	1.395	28	1-1825376-2
OBSOLETE	3	11	1.195	24	1-1825376-1
	4	23	2.395	48	1825376-4
	4	19	1.995	40	1825376-3
	4	13	1.395	28	1825376-2
6 OBSOLETE	4	11	1.195	24	1825376-1

THIS DRAWING IS A CONTROLLED DOCUMENT.

DIN: B.S.VISWESWARA
 CHK: K.WRIGHT
 APVD: [Signature]

TOLERANCES UNLESS OTHERWISE SPECIFIED:
 0. PLC ± -
 1. PLC ± -
 2. PLC ± -
 3. PLC ± .005
 4. PLC ± -
 ANGLES ± 0°30'

PRODUCT SPEC: 108-1066
 APPLICATION SPEC: 114-1049

SIZE: A1
 CAGE CODE: 00779
 DRAWING NO: 1825376

RESTRICTED TO: [Blank]

CUSTOMER DRAWING

SCALE: 5:1 SHEET: 1 OF 1 REV: A1