



Chipsmall Limited consists of a professional team with an average of over 10 year of expertise in the distribution of electronic components. Based in Hongkong, we have already established firm and mutual-benefit business relationships with customers from,Europe,America and south Asia,supplying obsolete and hard-to-find components to meet their specific needs.

With the principle of "Quality Parts,Customers Priority,Honest Operation,and Considerate Service",our business mainly focus on the distribution of electronic components. Line cards we deal with include Microchip,ALPS,ROHM,Xilinx,Pulse,ON,Everlight and Freescale. Main products comprise IC,Modules,Potentiometer,IC Socket,Relay,Connector.Our parts cover such applications as commercial,industrial, and automotives areas.

We are looking forward to setting up business relationship with you and hope to provide you with the best service and solution. Let us make a better world for our industry!



Contact us

Tel: +86-755-8981 8866 Fax: +86-755-8427 6832

Email & Skype: info@chipsmall.com Web: www.chipsmall.com

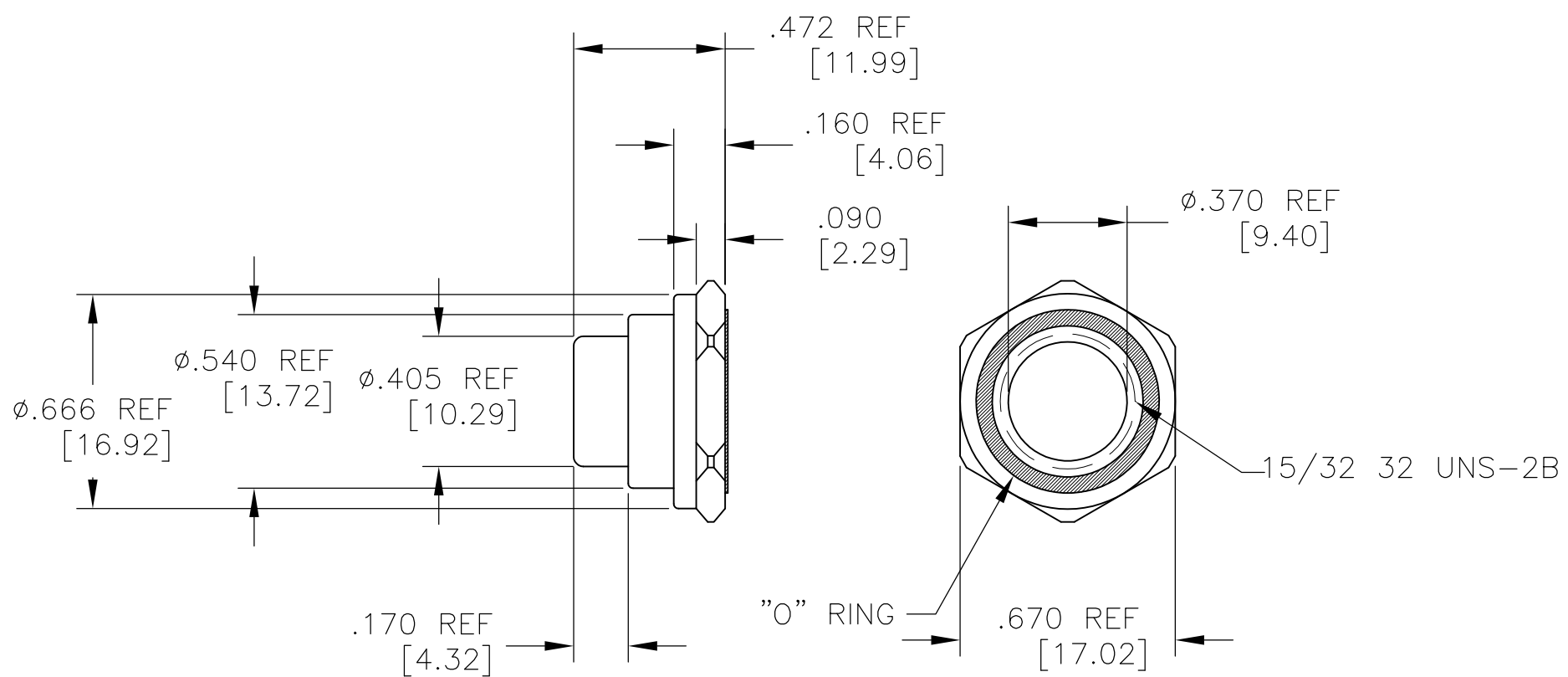
Address: A1208, Overseas Decoration Building, #122 Zhenhua RD., Futian, Shenzhen, China



THIS DRAWING IS UNPUBLISHED. RELEASED FOR PUBLICATION
 © COPYRIGHT - BY TYCO ELECTRONICS CORPORATION. ALL RIGHTS RESERVED.

LOC	DIST	REVISIONS			
P	LTR	DESCRIPTION	DATE	DWN	APVD
AD	00	B	REVISED PER ECO-07-029259	28MAR08	HMR MW

- 1 SUPPLIED WITH "O" RING SEAL FOR SEALING TO PANEL
- 2 BLACK ANODIZED MOUNT VERSION
- 3 NICKEL PLATED MOUNT VERSION
- 4 NEOPRENE BOOT



SUPERSEDE WITH 1825603-1	2	BP590004	1825608-2
OBSOLETE	3	BP589004	1825608-1
	FINISH	ALCO P/N	PART NUMBER

THIS DRAWING IS A CONTROLLED DOCUMENT.		DWN M.BINNER 14AUG2006	Tyco Electronics Corporation Harrisburg, PA 17105-3608	
DIMENSIONS: INCHES	TOLERANCES UNLESS OTHERWISE SPECIFIED:	CHK M.WILBOURN 15AUG06	NAME 15/32-32 PUSHBUTTON BOOT SEAL	
	0 PLC ± - 1 PLC ± - 2 PLC ± - 3 PLC ± .005 4 PLC ± - ANGLES ± -	APVD M.WILBOURN 15AUG06	PRODUCT SPEC -	RESTRICTED TO -
MATERIAL -	FINISH -	APPLICATION SPEC -	WEIGHT -	SIZE A3
		CUSTOMER DRAWING		SCALE 2:1
		CAGE CODE 00779		DRAWING NO 1825608
		SHEET 1 OF 1		REV B