



Chipsmall Limited consists of a professional team with an average of over 10 year of expertise in the distribution of electronic components. Based in Hongkong, we have already established firm and mutual-benefit business relationships with customers from,Europe,America and south Asia,supplying obsolete and hard-to-find components to meet their specific needs.

With the principle of “Quality Parts,Customers Priority,Honest Operation,and Considerate Service”,our business mainly focus on the distribution of electronic components. Line cards we deal with include Microchip,ALPS,ROHM,Xilinx,Pulse,ON,Everlight and Freescale. Main products comprise IC,Modules,Potentiometer,IC Socket,Relay,Connector.Our parts cover such applications as commercial,industrial, and automotives areas.

We are looking forward to setting up business relationship with you and hope to provide you with the best service and solution. Let us make a better world for our industry!



Contact us

Tel: +86-755-8981 8866 Fax: +86-755-8427 6832

Email & Skype: info@chipsmall.com Web: www.chipsmall.com

Address: A1208, Overseas Decoration Building, #122 Zhenhua RD., Futian, Shenzhen, China

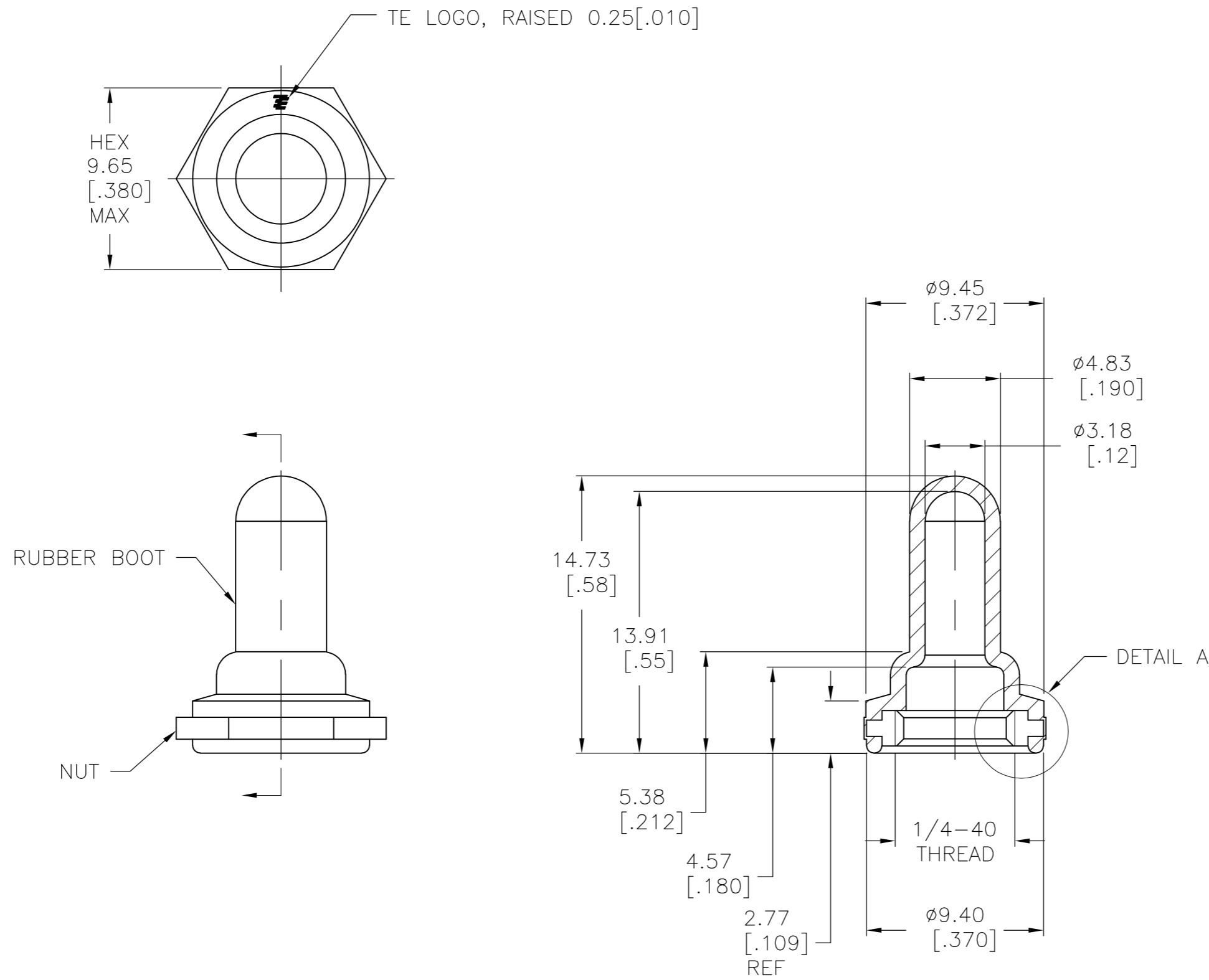


THIS DRAWING IS UNPUBLISHED. RELEASED FOR PUBLICATION
 © COPYRIGHT BY TYCO ELECTRONICS CORPORATION. ALL RIGHTS RESERVED.

LOC		DIST		REVISIONS			
P	LTR	DESCRIPTION		DATE	DWN	APVD	
	B	REVISED PER ECO-07-029260		1/22/08	SS	MW	

NOTES:

1. ALL COLORS AND MATERIALS MADE FROM ONE TOOL.
2. SOME DIMENSIONS MAY VARY DUE TO DIFFERENT COMPOUND SHRINKAGE FACTOR.
3. MINOR FLASH ACCEPTABLE ON INSERT THREAD.
4. BLACK FINISH/NICKEL PLATING ON INSIDE THREADS REMOVED DUE TO MOLDING PROCESS PERMITTED.
5. RUBBER TO METAL BOND MUST MEET OR EXCEED THE TEAR STRENGTH OF RUBBER.
6. RUBBER OVERLAY PERMISSIBLE OVER HEX FLATS AS SHOWN IN THE DRAWING.
7. COMPONENTS MUST COMPLY WITH THE EUROPEAN DIRECTIVE 2002/95/EC ON RESTRICTION OF THE USE OF CERTAIN HAZARDOUS SUBSTANCES IN ELECTRICAL AND ELECTRONIC EQUIPMENT (ROHS DIRECTIVE).



SILICONE, COLOR: GRAY	BRASS, NICKEL PLATE PER QQ-N-290	B1440804	1825612-3
SILICONE, COLOR: RED	BRASS, NICKEL PLATE PER QQ-N-290	B1440204	1825612-2
SILICONE, COLOR: BLACK	BRASS, BLACK OXIDE PER MIL-F-495	B1440004	1825612-1
RUBBER BOOT MATERIAL	HEX NUT MATERIAL	ALCO NUMBER	PART NUMBER

THIS DRAWING IS A CONTROLLED DOCUMENT.		DWN	S SCHLEGEL	22JAN2008	Tyco Electronics Corporation Harrisburg, PA 17105-3608		
DIMENSIONS: mm [INCHES]		CHK	M WILBOURN	1/22/08	NAME 1/4-40 TOGGLE SWITCH BOOT SEAL		
TOLERANCES UNLESS OTHERWISE SPECIFIED:		APVD	M WILBOURN	1/22/08	SIZE A2		
0 PLC ± -		PRODUCT SPEC		CAGE CODE		DRAWING NO	RESTRICTED TO
1 PLC ± -		APPLICATION SPEC		00779		C=1825612	-
2 PLC ± .01		WEIGHT		SCALE		SHEET	REV
3 PLC ± .005		-		4:1		1 OF 1	B
4 PLC ± -		CUSTOMER DRAWING		-			
ANGLES ± 5°		-		-			
FINISH		-		-			

1825612