



Chipsmall Limited consists of a professional team with an average of over 10 year of expertise in the distribution of electronic components. Based in Hongkong, we have already established firm and mutual-benefit business relationships with customers from,Europe,America and south Asia,supplying obsolete and hard-to-find components to meet their specific needs.

With the principle of “Quality Parts,Customers Priority,Honest Operation,and Considerate Service”,our business mainly focus on the distribution of electronic components. Line cards we deal with include Microchip,ALPS,ROHM,Xilinx,Pulse,ON,Everlight and Freescale. Main products comprise IC,Modules,Potentiometer,IC Socket,Relay,Connector.Our parts cover such applications as commercial,industrial, and automotives areas.

We are looking forward to setting up business relationship with you and hope to provide you with the best service and solution. Let us make a better world for our industry!



Contact us

Tel: +86-755-8981 8866 Fax: +86-755-8427 6832

Email & Skype: info@chipsmall.com Web: www.chipsmall.com

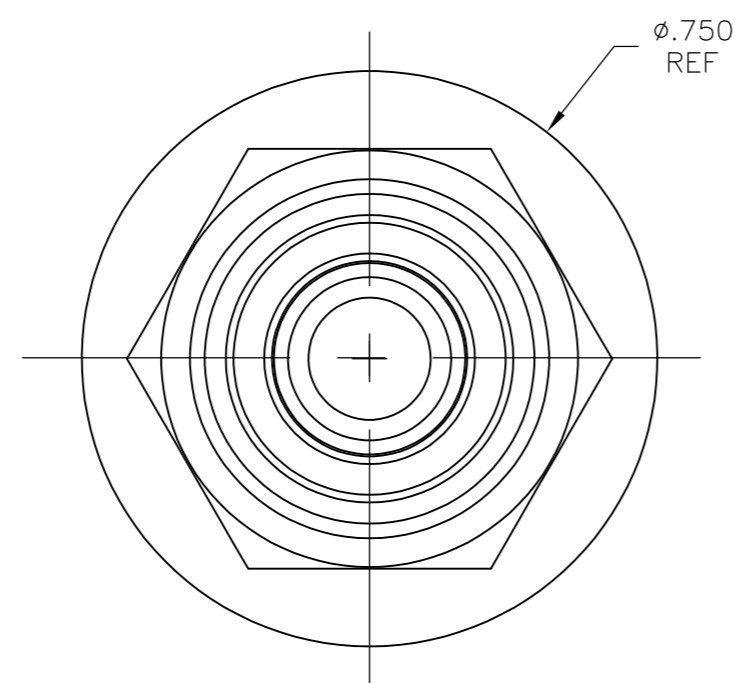
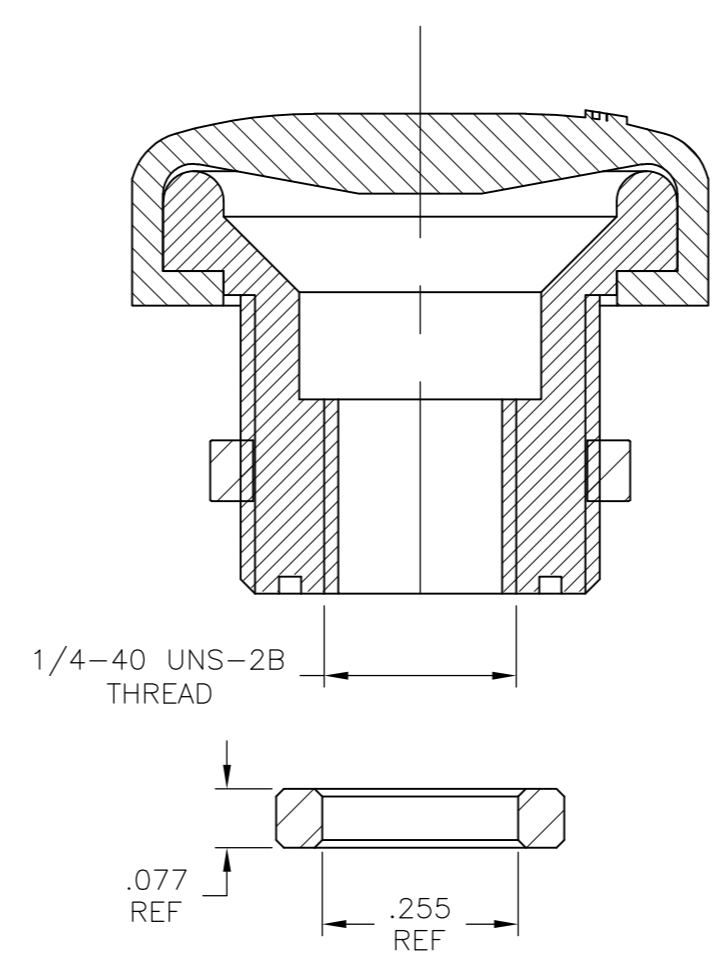
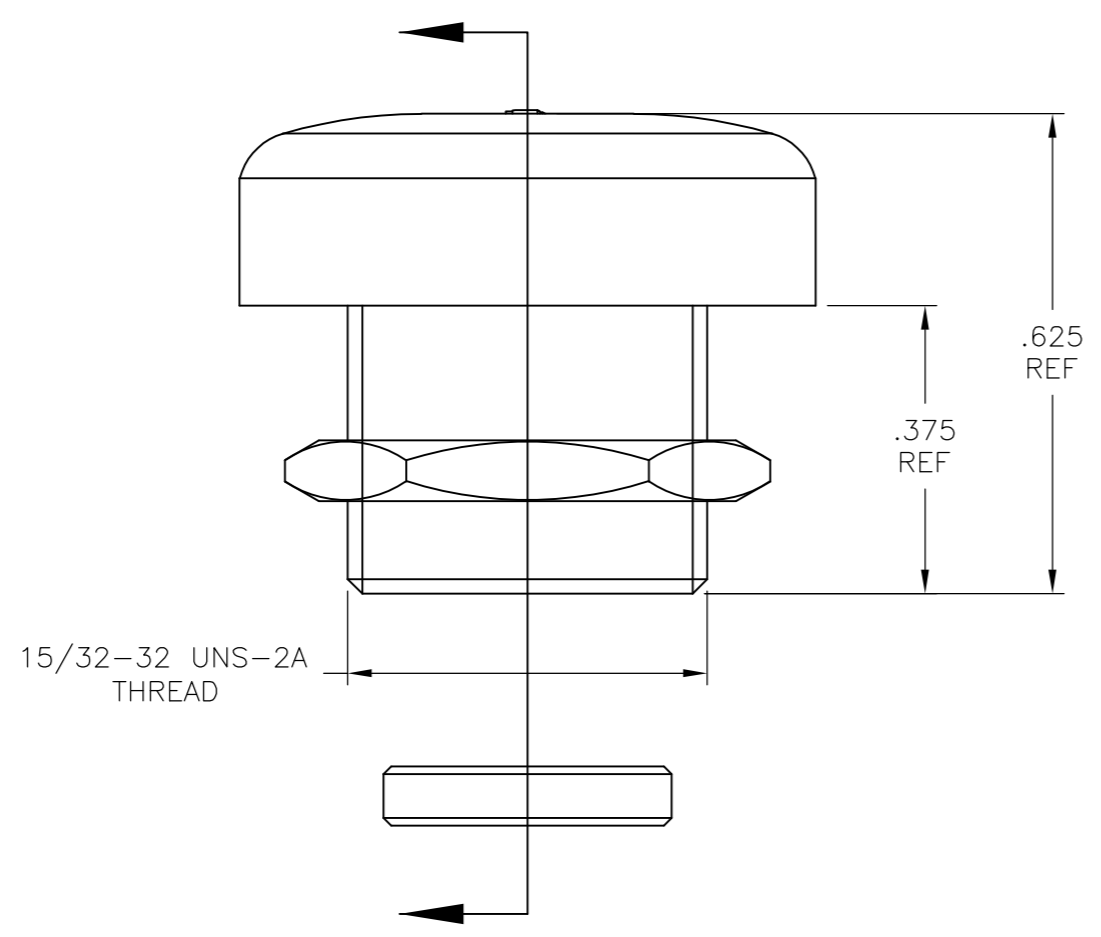
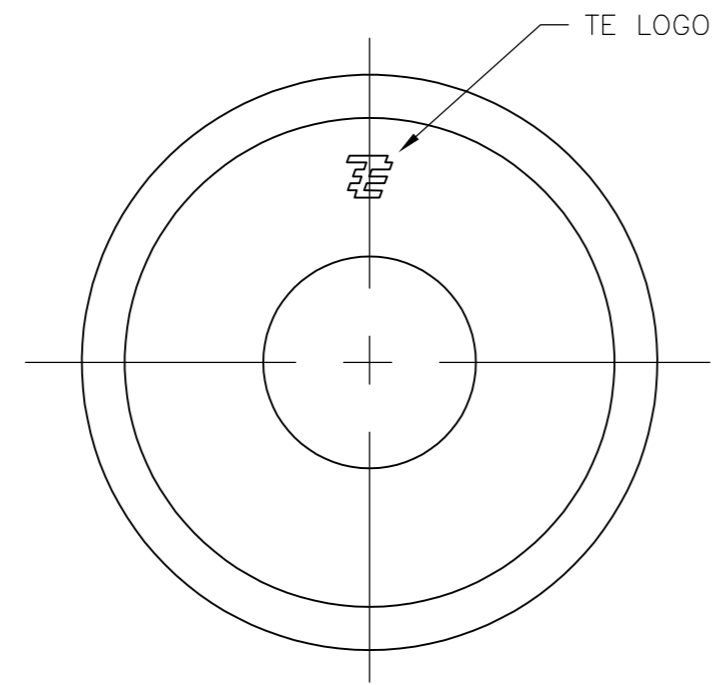
Address: A1208, Overseas Decoration Building, #122 Zhenhua RD., Futian, Shenzhen, China



THIS DRAWING IS UNPUBLISHED. RELEASED FOR PUBLICATION
 © COPYRIGHT - By - ALL RIGHTS RESERVED.

LOC		DIST		REVISIONS			
P	LTR	DESCRIPTION		DATE	DWN	APVD	
	C	REVISED PER ECO-12-004223		02MAR12	KH	PO	

- COMPONENTS MUST COMPLY WITH EUROPEAN DIRECTIVE 2002/95/EC ON RESTRICTION OF THE USE OF CERTAIN HAZARDOUS SUBSTANCES IN ELECTRICAL AND ELECTRONICS EQUIPMENT (ROHS DIRECTIVE).
- SUPPLIED WITH JAM NUT ASSEMBLED AND SPACER IN PACKAGE BAG.



BPM1532804	GRAY	SILICONE PER ZZ-R-765, CLASS 3A, GRADE 60	1825618-3
BPM1532204	RED	SILICONE PER ZZ-R-765, CLASS 3A, GRADE 60	1825618-2
BPM1532004	BLACK	SILICONE PER ZZ-R-765, CLASS 3A, GRADE 60	1825618-1
ALCO NUMBER	CAP COLOR	CAP MATERIAL	PART NUMBER

THIS DRAWING IS A CONTROLLED DOCUMENT.

DWN	S SCHLEGEL	22FEB2008
CHK	M WILBOURN	2/22/08
APVD	M WILBOURN	2/22/08

TE Connectivity

BPM PUSHBUTTON SWITCH SEAL

SIZE	CAGE CODE	DRAWING NO	RESTRICTED TO
A2	00779	C=1825618	-

CUSTOMER DRAWING SCALE 4:1 SHEET 1 of 1 REV C

1825618