



Chipsmall Limited consists of a professional team with an average of over 10 year of expertise in the distribution of electronic components. Based in Hongkong, we have already established firm and mutual-benefit business relationships with customers from,Europe,America and south Asia,supplying obsolete and hard-to-find components to meet their specific needs.

With the principle of “Quality Parts,Customers Priority,Honest Operation,and Considerate Service”,our business mainly focus on the distribution of electronic components. Line cards we deal with include Microchip,ALPS,ROHM,Xilinx,Pulse,ON,Everlight and Freescale. Main products comprise IC,Modules,Potentiometer,IC Socket,Relay,Connector.Our parts cover such applications as commercial,industrial, and automotives areas.

We are looking forward to setting up business relationship with you and hope to provide you with the best service and solution. Let us make a better world for our industry!



## Contact us

Tel: +86-755-8981 8866 Fax: +86-755-8427 6832

Email & Skype: info@chipsmall.com Web: www.chipsmall.com

Address: A1208, Overseas Decoration Building, #122 Zhenhua RD., Futian, Shenzhen, China



THIS DRAWING IS UNPUBLISHED.

RELEASED FOR PUBLICATION

---

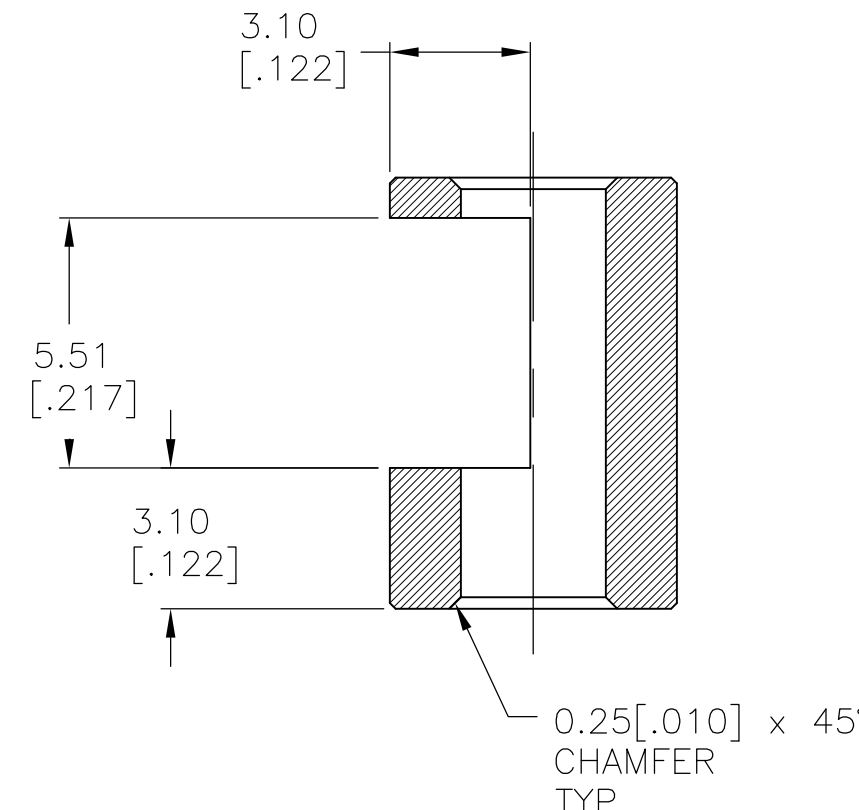
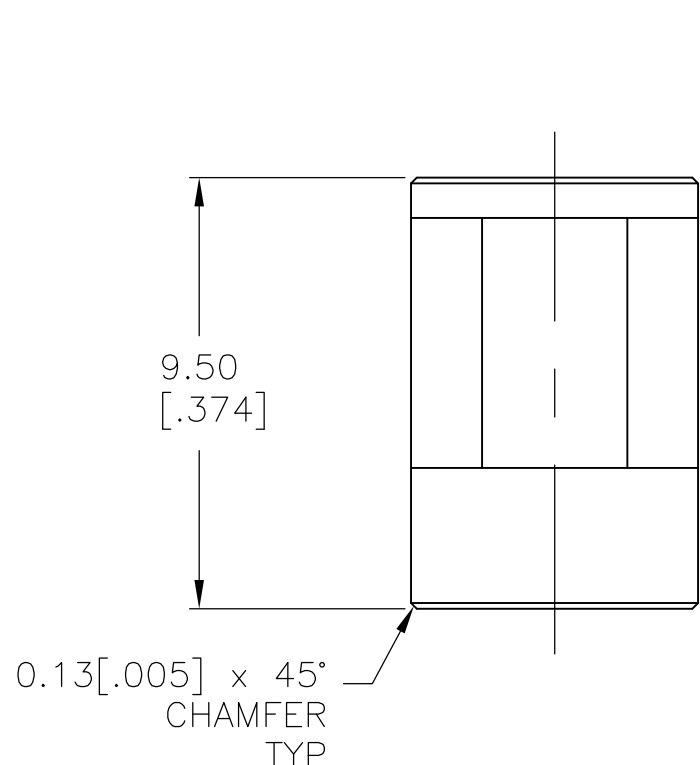
© COPYRIGHT - By -

ALL RIGHTS RESERVED.

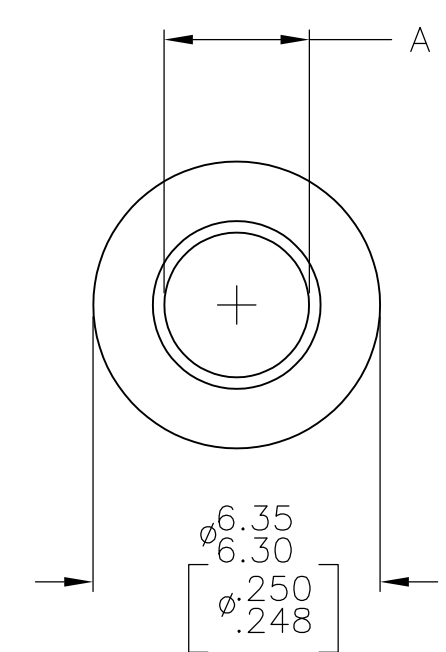
LOC AD DIST 00

REVISIONS

P	LTR	DESCRIPTION	DATE	DWN	APVD
	A1	REVISED PER ECO-11-004917	11MAR11	RK	HMR



- △ 1 BRASS
- △ 2 NICKEL PLATE ELECTRODEPOSITED



4.09 <sup>+0.08</sup> <sub>-0.0</sub> [.161 <sup>+0.003</sup> <sub>-.000</sub> ]	△ 2	△ 1	KR-304	1825620-3
4.83 <sup>+0.08</sup> <sub>-0.0</sub> [.190 <sup>+0.003</sup> <sub>-.000</sub> ]	△ 2	△ 1	KR-204	1825620-2
3.20 <sup>+0.08</sup> <sub>-0.0</sub> [.126 <sup>+0.003</sup> <sub>-.000</sub> ]	△ 2	△ 1	KR-104	1825620-1
A	FINISH	MATERIAL	ALCO P/N	P/N

THIS DRAWING IS A CONTROLLED DOCUMENT.		DWN M.BINNER 18OCT2007	<b>STE</b> TE Connectivity		
DIMENSIONS: mm [INCHES]		CHK M.WILBOURN 18OCT07			
TOLERANCES UNLESS OTHERWISE SPECIFIED:		APVD M.WILBOURN 18OCT07	NAME SHAFT ADAPTER		
<ul style="list-style-type: none"> <li>0 PLC ± -</li> <li>1 PLC ± -</li> <li>2 PLC ± 0.13 [.005]</li> <li>3 PLC ± -</li> <li>4 PLC ± -</li> <li>ANGLES ± 5°</li> </ul>		PRODUCT SPEC -	APPLICATION SPEC -		
MATERIAL SEE TABLE	FINISH SEE TABLE	WEIGHT -	SIZE A3	CAGE CODE 00779	DRAWING NO C-1825620
CUSTOMER DRAWING			RESTRICTED TO -	SCALE 8:1	SHEET 1 OF 1
			REV A1		