



Chipsmall Limited consists of a professional team with an average of over 10 year of expertise in the distribution of electronic components. Based in Hongkong, we have already established firm and mutual-benefit business relationships with customers from,Europe,America and south Asia,supplying obsolete and hard-to-find components to meet their specific needs.

With the principle of “Quality Parts,Customers Priority,Honest Operation,and Considerate Service”,our business mainly focus on the distribution of electronic components. Line cards we deal with include Microchip,ALPS,ROHM,Xilinx,Pulse,ON,Everlight and Freescale. Main products comprise IC,Modules,Potentiometer,IC Socket,Relay,Connector.Our parts cover such applications as commercial,industrial, and automotives areas.

We are looking forward to setting up business relationship with you and hope to provide you with the best service and solution. Let us make a better world for our industry!



Contact us

Tel: +86-755-8981 8866 Fax: +86-755-8427 6832

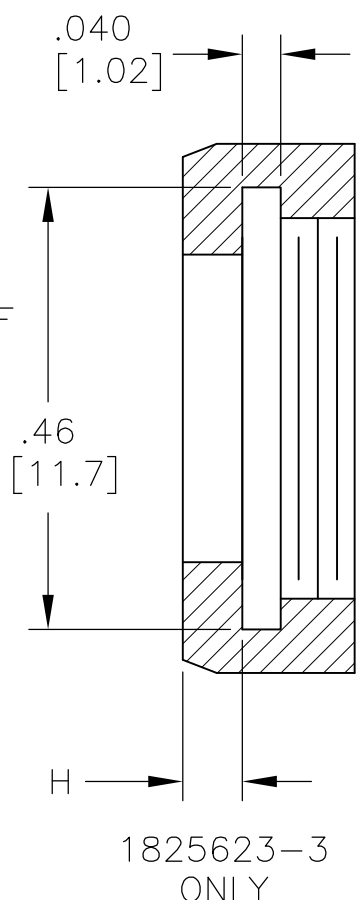
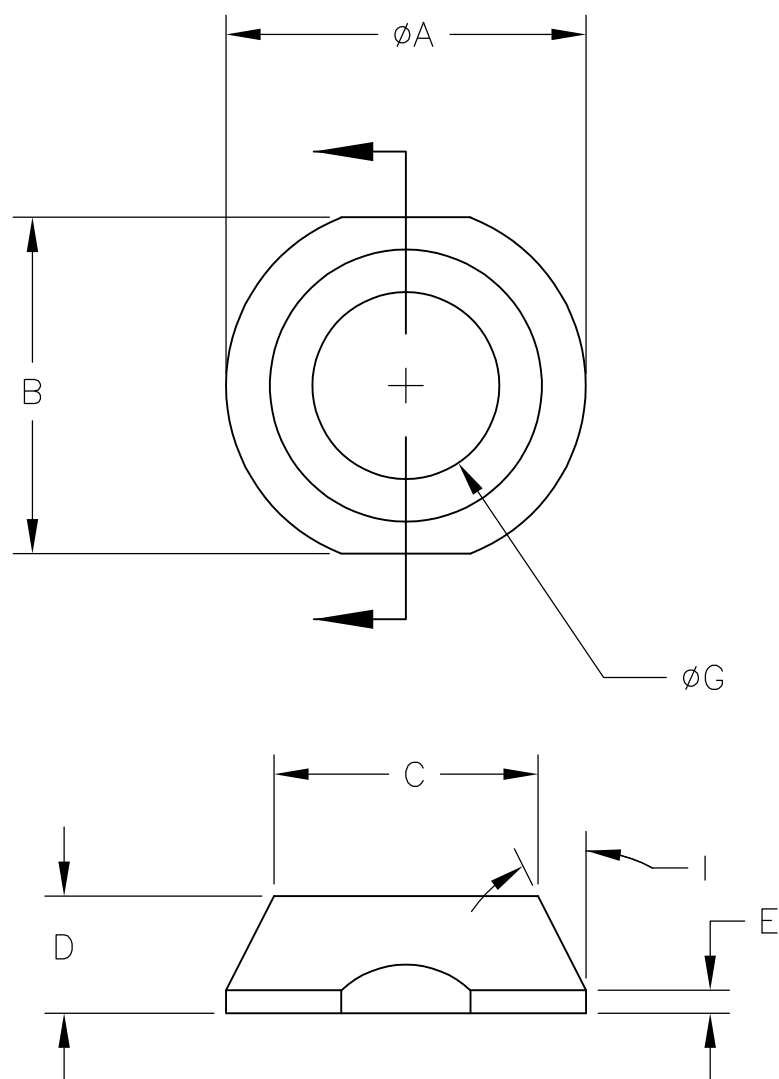
Email & Skype: info@chipsmall.com Web: www.chipsmall.com

Address: A1208, Overseas Decoration Building, #122 Zhenhua RD., Futian, Shenzhen, China



THIS DRAWING IS UNPUBLISHED. RELEASED FOR PUBLICATION
 © COPYRIGHT BY TYCO ELECTRONICS CORPORATION. ALL RIGHTS RESERVED.

LOC	DIST	REVISIONS			
P	LTR	DESCRIPTION	DATE	DWN	APVD
AD	00	A	ECO-07-10997	31MAY07	MB MW



I	H	G	F	E	D	C	B	A	FINISH	MATERIAL	ALCO PART NUMBER	PART NUMBER
23' REF.	.062 [1.58]	.320 [8.13]	15/32-32 UNS 2B	.03 [0.8]	.170 [4.32]	.512 [13.01]	.551 ^{+.000} _{-.005} [14.00 ^{+.000} _{-.013}]	.630 [16.00]	3	2	N45	1825623-3
27' REF.	-	.195 [4.95]	1/4-40 UNS 2B	.02 [0.5]	.122 [3.10]	.275 [6.99]	.346 ^{+.000} _{-.005} [8.79 ^{+.000} _{-.013}]	.375 [9.53]	3	2	N43	1825623-2
27' REF.	-	.195 [4.95]	1/4-40 UNS 2B	.02 [0.5]	.122 [3.10]	.275 [6.99]	.346 ^{+.000} _{-.005} [8.79 ^{+.000} _{-.013}]	.375 [9.53]	4	2	N40	1825623-1

THIS DRAWING IS A CONTROLLED DOCUMENT.

DWN M.BINNER 30MAY2007
 CHK M.WILBOURN 31MAY07
 APVD M.WILBOURN 31MAY07

Tyco Electronics Tyco Electronics Corporation
 Harrisburg, PA 17105-3608

NAME: NUT, DECORATIVE

PRODUCT SPEC: -
 APPLICATION SPEC: -
 WEIGHT: -

SIZE: A3 CAGE CODE: 00779 DRAWING NO: G-1825623 RESTRICTED TO: -

MATERIAL: SEE TABLE FINISH: SEE TABLE

CUSTOMER DRAWING SCALE: 5:1 SHEET: 1 OF 1 REV: A