



Chipsmall Limited consists of a professional team with an average of over 10 year of expertise in the distribution of electronic components. Based in Hongkong, we have already established firm and mutual-benefit business relationships with customers from,Europe,America and south Asia,supplying obsolete and hard-to-find components to meet their specific needs.

With the principle of “Quality Parts,Customers Priority,Honest Operation,and Considerate Service”,our business mainly focus on the distribution of electronic components. Line cards we deal with include Microchip,ALPS,ROHM,Xilinx,Pulse,ON,Everlight and Freescale. Main products comprise IC,Modules,Potentiometer,IC Socket,Relay,Connector.Our parts cover such applications as commercial,industrial, and automotives areas.

We are looking forward to setting up business relationship with you and hope to provide you with the best service and solution. Let us make a better world for our industry!



Contact us

Tel: +86-755-8981 8866 Fax: +86-755-8427 6832

Email & Skype: info@chipsmall.com Web: www.chipsmall.com

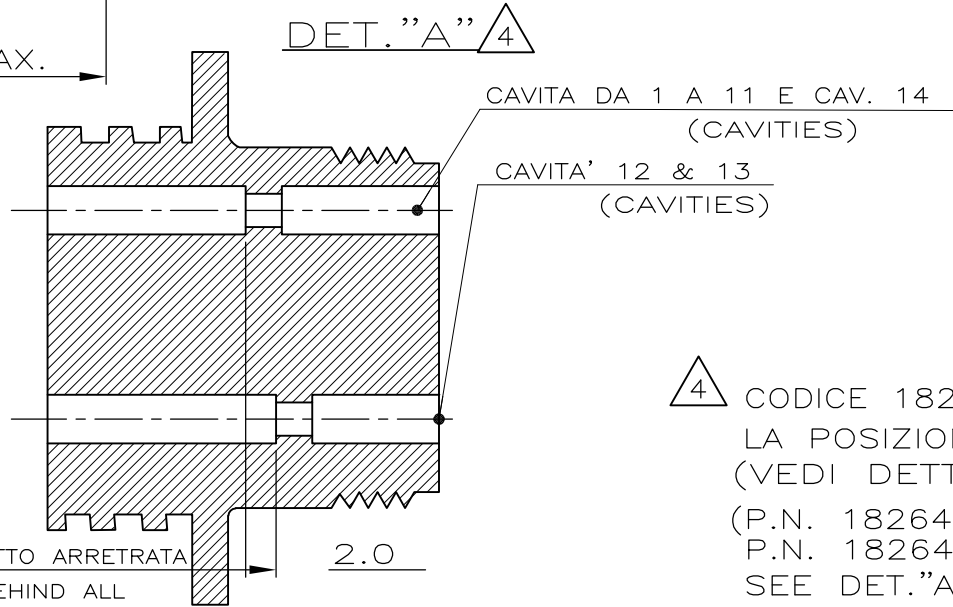
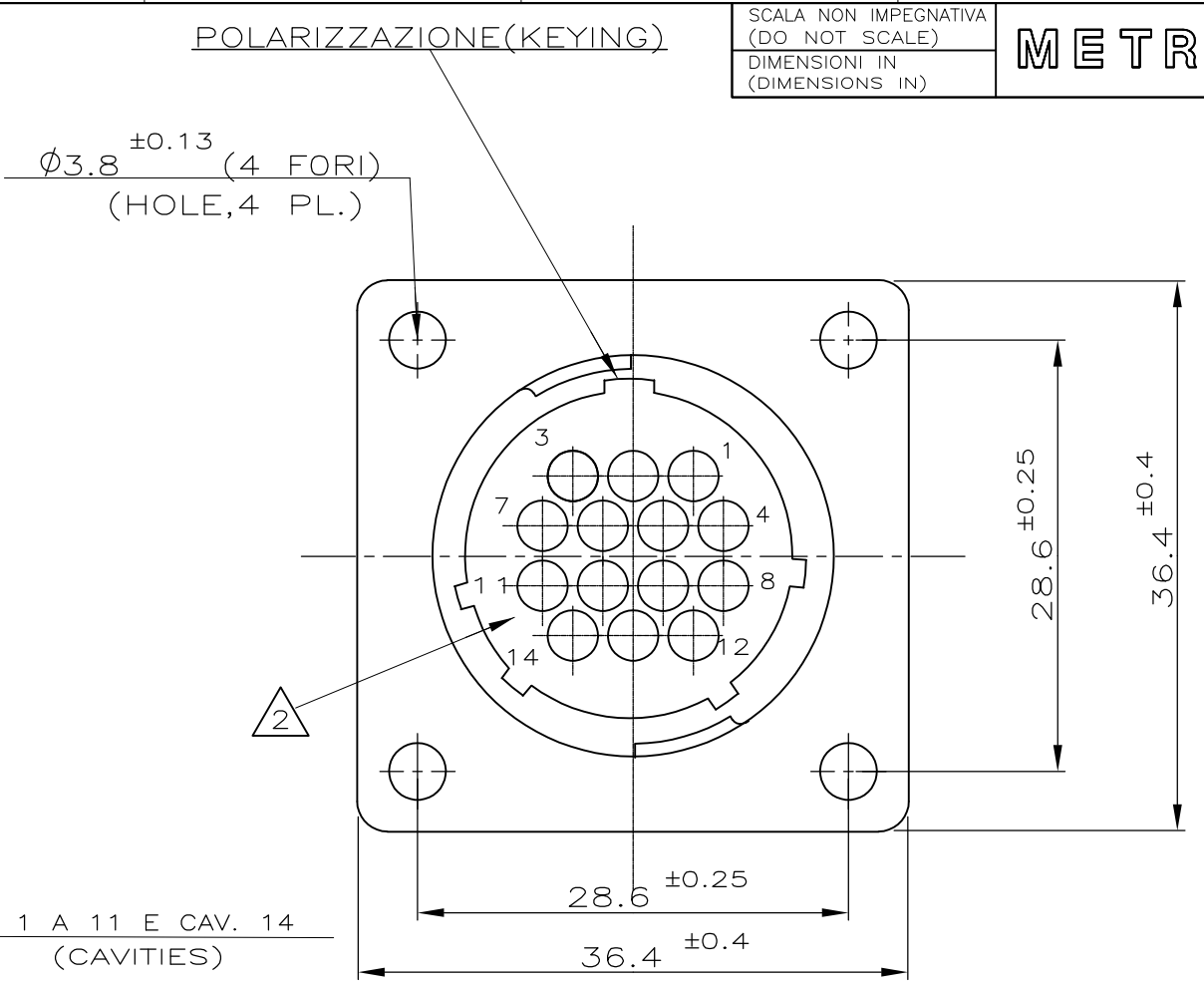
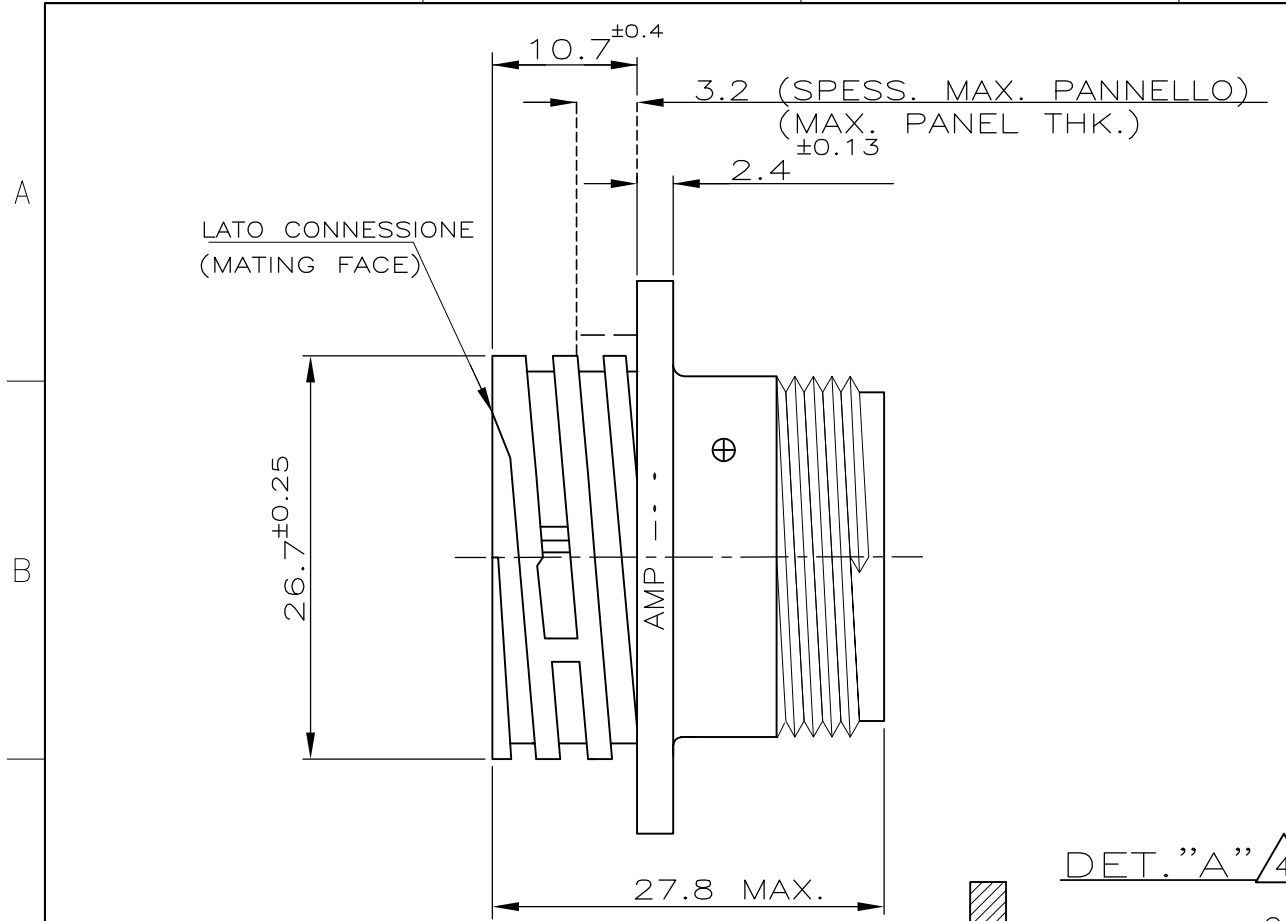
Address: A1208, Overseas Decoration Building, #122 Zhenhua RD., Futian, Shenzhen, China



SCALA NON IMPEGNATIVA
(DO NOT SCALE)
DIMENSIONI IN
(DIMENSIONS IN)

METRIC

PROIEZIONE EUROPEA
(EUROPEAN PROJECTION)



4 CODICE 182641-2 RISERVATO AMP-SVIZZERA. DIFFERENTE DAL 182641-1 PER LA POSIZIONE DELL'AGGANCO DEL CONTATTO NELLE CAVITA' 12 E 13, (VEDI DETT."A")
(P.N. 182641-2 RESTRICTED FOR AMP-SWITZERLAND. IS DIFFERENT FROM P.N. 182641-1 FOR CONTACT LOCKING POSITION OF CAVITIES 12&13. SEE DET."A" FOR DIMENSIONS).

NOTE(NOTES)

- 1. MATERIALE (MATL.): TERMOPLASTICO COLORE NERO (THERMOPLASTIC, BLACK COLOR).
- 2. OGNI CAVITA' E' IDENTIFICATA DAL NUMERO POSTO SIA SUL FRONTE CHE SUL RETRO DEL CONNETTORE. (CONTACT CAVITIES IDENTIFIED BY CHARACTERS)
- 3. QUESTO CONNETTORE E' APPROVATO CON FILE N.E28476 E CERTIFICATO CON FILE N.LR7189A-259 (THIS CONNECTOR IS RECOGNIZED BY FILE N.E28476 AND CERTIFIED BY FILE N.LR7189A-259)

4	182641-2	VEDI NOTA 1 (SEE NOTE 1)	SQ.FLANGE 17-14 FOR REC.CTC. SPECIAL
	182641-1	VEDI NOTA 1 (SEE NOTE 1)	SQ.FLANGE 17-14 FOR REC.CTC.
	CODICE (P.N.)	MATERIALE - COLORE (MATERIAL - COLOR)	DESCRIZIONE (DESCRIPTION)
			CUSTOMER DRAWING FOR REFERENCE ONLY
			DISEGNO PER CLIENTE SOLO PER RIFERIMENTO
			THIS DRAWING IS UNPUBLISHED
			RELEASE FOR PUBLICATION
			© COPYRIGHT - BY - , ALL INTERNATIONAL RIGHT RESERVED.
		TOLLERANZE: SE NON DIVERSAMENTE SPECIFICATO (TOLERANCES: UNLESS OTHERWISE SPECIFIED)	DIAM. ISOLANTE (INS. DIA. RANGE)
		± 0.3	RANGO FILO (WIRE RANGE)
		ANGOLI (ANGLES)	SCALA (SCALE)
		± 2°	
		DIS. 27-07-1993 (DR.)	DESCRIZIONE (DESCRIPTION)
		C.CORDOLA	C.P.C. SQUARE FLANGE RECEPTACLE FOR REC. CTC.S
		CONT.28-07-1993 (CHK)	SIZE 17-14, REV. SEX
		C.MARTINS	
	M3 REVISED PER ECO-11-005140	RK 11APR 2011	LOC.SIZE NUMERO (DWG NO)
	REVISIONI (REVISION RECORD)	DIS. DATA (DR) (DATE)	APP. (APP.)
			1 A3C-182641
			REV. M3
			FOGLIO (SHEET) 1 DI 1 (OF) 1

DISTRIBUZIONE (PRINT. DIST.)