



Chipsmall Limited consists of a professional team with an average of over 10 year of expertise in the distribution of electronic components. Based in Hongkong, we have already established firm and mutual-benefit business relationships with customers from,Europe,America and south Asia,supplying obsolete and hard-to-find components to meet their specific needs.

With the principle of “Quality Parts,Customers Priority,Honest Operation,and Considerate Service”,our business mainly focus on the distribution of electronic components. Line cards we deal with include Microchip,ALPS,ROHM,Xilinx,Pulse,ON,Everlight and Freescale. Main products comprise IC,Modules,Potentiometer,IC Socket,Relay,Connector.Our parts cover such applications as commercial,industrial, and automotives areas.

We are looking forward to setting up business relationship with you and hope to provide you with the best service and solution. Let us make a better world for our industry!



## Contact us

Tel: +86-755-8981 8866 Fax: +86-755-8427 6832

Email & Skype: info@chipsmall.com Web: www.chipsmall.com

Address: A1208, Overseas Decoration Building, #122 Zhenhua RD., Futian, Shenzhen, China



THIS DRAWING IS UNPUBLISHED.

RELEASED FOR PUBLICATION

© COPYRIGHT

ALL RIGHTS RESERVED.

LOC

DIST

REVISIONS

P

LTR

DESCRIPTION

DATE

DWN

APVD

C1

REVISED PER ECO-11-005140

31MAR11

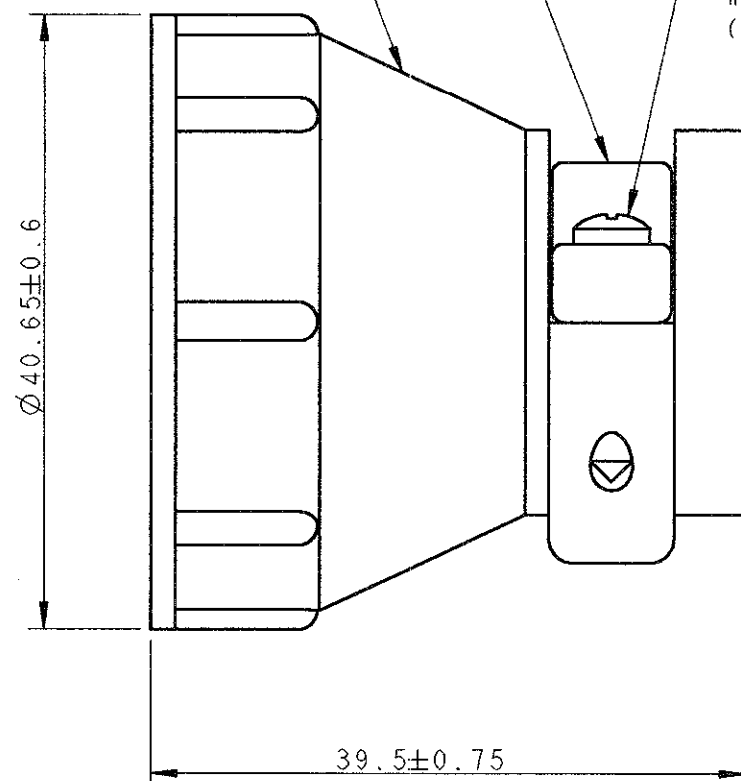
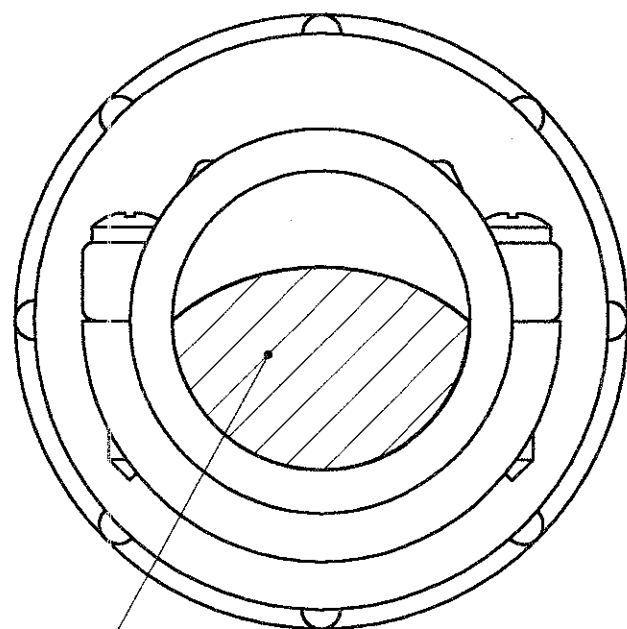
RK

HMR

INSERTO SERRACAVI  
(CLAMPING INSERT)

CORPO CORAZZA  
(CLAMPING INSERT)

#5-20 VITI AUTOFIETTANTI IN ACCIAIO ZINCATO (Q.TA' 2)  
(#5-20 SELF-TAPPING SCREWS, ZINC PLATED STEEL, Q.TY 2)



AREA SERRAGGIO CAVI  
(CLAMPING AREA)



- 1) MATERIALE : TERMOPLASTICO, COLORE NERO  
(MATERIAL : THERMOPLASTIC, BLACK COLOUR)
- 2) PARTICOLARI FORNITI NON ASSEMBLATI IN SACCHETTO DI PLASTICA  
(PARTS PACKAGED UNASSEMBLED INTO A PLASTIC BAG)
- 3) L'AREA SERRAGGIO CAVI E' VARIABILE DA 64.5 A 264.5 mm<sup>2</sup>  
IN FUNZIONE DEL TIPO E POSIZIONE DELL'INSERTO SERRACAVO  
(CABLE CLAMPING AREA ADJUSTABLE FROM .100 TO .410 SQ. IN.  
BY SELECTING AND REVERSING CLAMPING INSERTS)
- 4) QUESTO CONNETTORE E' RICONOSCIUTO E CERTIFICATO   
(THIS CONNECTOR IS UL RECOGNIZED AND CSA CERTIFIED)
- 5) Ø MAX DEL FASCIO CAVI = 17.9 mm.  
(MAXIMUM CABLE O.D. = .703 IN.)

P/N 182652-1 COME RAPPRESENTATO  
(P/N 182652-1 AS SHOWN)

DIMENSIONS: mm		TOLERANCES UNLESS OTHERWISE SPECIFIED:		DWN R. FABRIZI	TE Connectivity NAME C.P.C. CABLE CLAMP KIT SIZE 23	
		0 PLC ±	1 PLC ± ±0.3	CHK -		
MATERIAL -		2 PLC ±	3 PLC ±	APVD C. TARTARI	PRODUCT SPEC 108-10024	
FINISH -		4 PLC ±	ANGLES ±2°	APPLICATION SPEC -	SIZE A3	CAGE CODE 00779
CUSTOMER DRAWING				WEIGHT -	DRAWING NO C=182652	
				CUSTOMER DRAWING	SCALE 2:1	SHEET 1 OF 1
					REV C1	