



Chipsmall Limited consists of a professional team with an average of over 10 year of expertise in the distribution of electronic components. Based in Hongkong, we have already established firm and mutual-benefit business relationships with customers from,Europe,America and south Asia,supplying obsolete and hard-to-find components to meet their specific needs.

With the principle of “Quality Parts,Customers Priority,Honest Operation,and Considerate Service”,our business mainly focus on the distribution of electronic components. Line cards we deal with include Microchip,ALPS,ROHM,Xilinx,Pulse,ON,Everlight and Freescale. Main products comprise IC,Modules,Potentiometer,IC Socket,Relay,Connector.Our parts cover such applications as commercial,industrial, and automotives areas.

We are looking forward to setting up business relationship with you and hope to provide you with the best service and solution. Let us make a better world for our industry!



Contact us

Tel: +86-755-8981 8866 Fax: +86-755-8427 6832

Email & Skype: info@chipsmall.com Web: www.chipsmall.com

Address: A1208, Overseas Decoration Building, #122 Zhenhua RD., Futian, Shenzhen, China

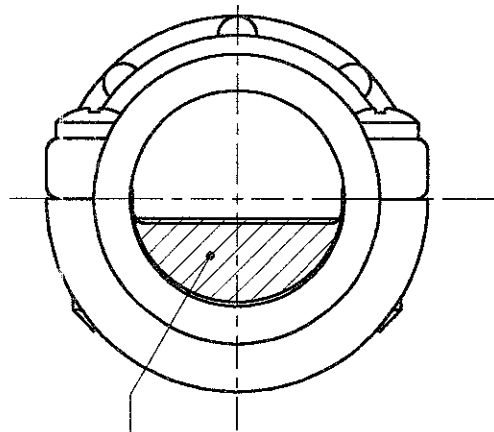


P	LTR	DESCRIPTION	DATE	DWN	APVD
	C1	REVISED PER ECO-11-005140	31MAR11	RK	HMR

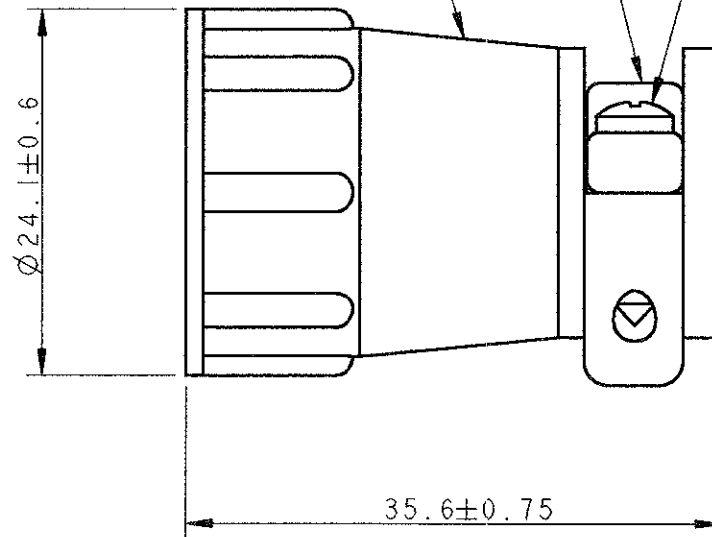
INSERTO SERRACAVI
(CLAMPING INSERT)

CORPO CORAZZA
(CABLE CLAMP BODY)

#5-20 VITI AUTOFIETTANTI IN ACCIAIO ZINCATO (Q.TA' 2)
(#5-20 SELF-TAPPING SCREWS, ZINC PLATED STEEL, Q.TY 2)



AREA SERRAGGIO CAVI
(CLAMPING AREA)



- 1) MATERIALE : TERMOPLASTICO, COLORE NERO
(MATERIAL : THERMOPLASTIC, BLACK COLOUR)
- 2) PARTICOLARI FORNITI NON ASSEMBLATI IN SACCHETTO DI PLASTICA
(PARTS PACKAGED UNASSEMBLED INTO A PLASTIC BAG)
- 3) L'AREA SERRAGGIO CAVI E' VARIABILE DA 6.45 A 103.9 mm²
IN FUNZIONE DEL TIPO E POSIZIONE DELL'INSERTO SERRACAVO
(CABLE CLAMPING AREA ADJUSTABLE FROM .010 TO .161 SQ. IN.
BY SELECTING AND REVERSING CLAMPING INSERTS)
- 4) QUESTO CONNETTORE E' RICONOSCIUTO E CERTIFICATO
(THIS CONNECTOR IS UL RECOGNIZED AND CSA CERTIFIED)
- 5) Ø MAX DEL FASCIO CAVI = 11.5 mm.
(MAXIMUM CABLE O.D. = .453 IN.)

P/N 182663-1 COME RAPPRESENTATO
(P/N 182663-1 AS SHOWN)

DWN R. FABRIS		15NOV2000		TE Connectivity	
CHK -		-			
APVD C. TARTARI		-		NAME C.P.C. CABLE CLAMP KIT	
PRODUCT SPEC 108-10024		-		SIZE A3	
APPLICATION SPEC -		-		CAGE CODE 00779	
WEIGHT -		-		DRAWING NO 182663	
MATERIAL -		FINISH -		SCALE 2:1	
DIMENSIONS: mm		TOLERANCES UNLESS OTHERWISE SPECIFIED:		SHEET 1 OF 1	
		0 PLC ± 1 PLC ± ±0.3 2 PLC ± ± 3 PLC ± ± 4 PLC ± ± ANGLES ±2°		REV C1	
CUSTOMER DRAWING					