



Chipsmall Limited consists of a professional team with an average of over 10 year of expertise in the distribution of electronic components. Based in Hongkong, we have already established firm and mutual-benefit business relationships with customers from,Europe,America and south Asia,supplying obsolete and hard-to-find components to meet their specific needs.

With the principle of "Quality Parts,Customers Priority,Honest Operation,and Considerate Service",our business mainly focus on the distribution of electronic components. Line cards we deal with include Microchip,ALPS,ROHM,Xilinx,Pulse,ON,Everlight and Freescale. Main products comprise IC,Modules,Potentiometer,IC Socket,Relay,Connector.Our parts cover such applications as commercial,industrial, and automotives areas.

We are looking forward to setting up business relationship with you and hope to provide you with the best service and solution. Let us make a better world for our industry!



Contact us

Tel: +86-755-8981 8866 Fax: +86-755-8427 6832

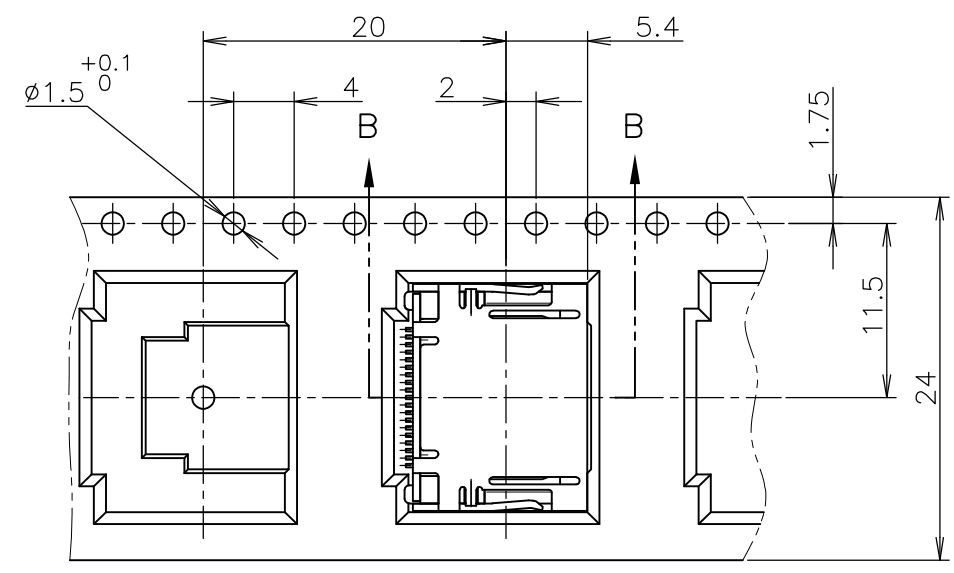
Email & Skype: info@chipsmall.com Web: www.chipsmall.com

Address: A1208, Overseas Decoration Building, #122 Zhenhua RD., Futian, Shenzhen, China

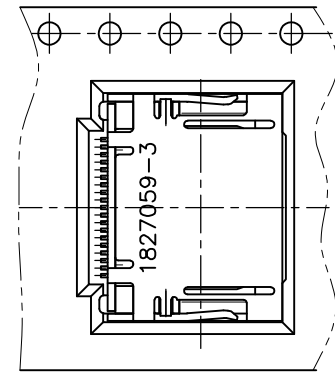


THIS DRAWING IS UNPUBLISHED. RELEASED FOR PUBLICATION OCT., 2004.
 © COPYRIGHT 2004 BY TYCO ELECTRONICS CORPORATION. ALL RIGHTS RESERVED.

LOC	DIST	REVISIONS					
J	/	P	LTR	DESCRIPTION	DATE	DWN	APVD
		E		REVISED PER ECR-10-007306	13APR10	HMR	TM



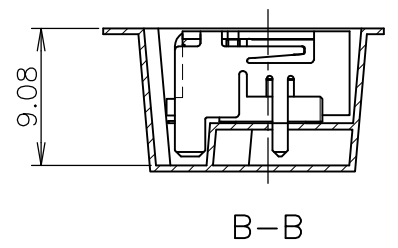
DETAIL A



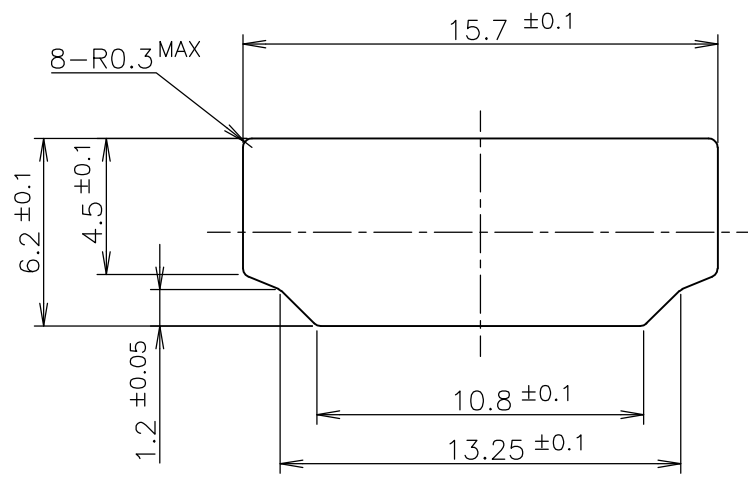
1827059-3 ONLY

- 1 CONTACT COPLANALITY IS 0.1 MAX.
- △2 FINISH
CONTACT: E μm MIN. Au PL. ON CONTACT AREA (E: SEE TABLE)
Sn PL. ON SOLDERING AREA
Ni UNDER PL. ALL OVER
SHELL: Sn PL. (MATTE) ALL OVER
Ni UNDER PL. ALL OVER
- △3 LABEL DESCRIPTION

TYCO P/N: 1827059-*
 QTY: 300 pcs
 D/C:
 MADE IN CHINA

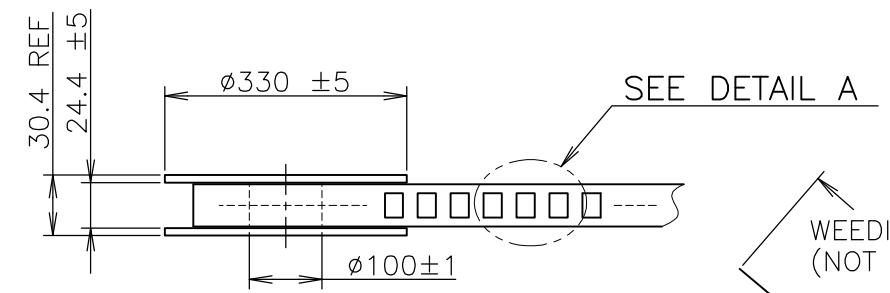


B-B



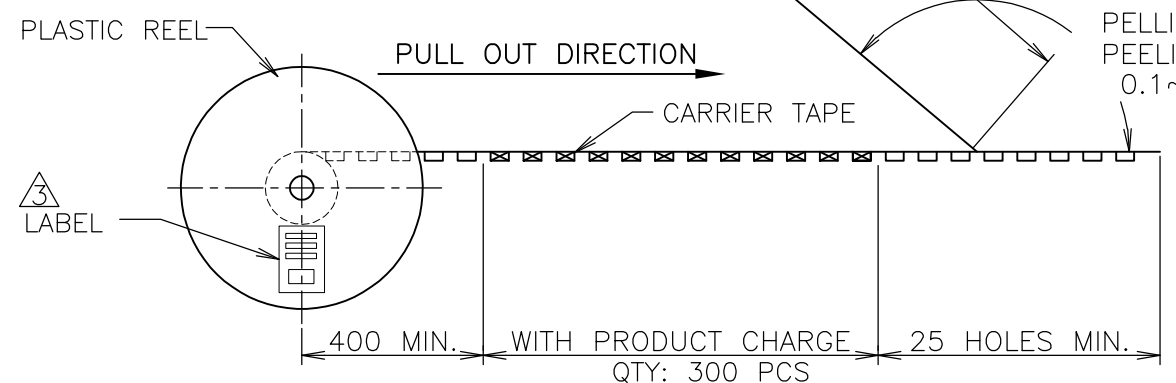
PANEL CUT OUT DIMENSION (REFERENCE)

- 1 コンタクトコプラナリティーは 0.1 以下。
- △2 仕上
コンタクト: コンタクトエリアに E μm 以上の 金めっき (E: 表参照)
半田付けエリアに すずめっき
ニッケル下地めっきを施す
シェル: すずめっき (MATTE)
ニッケル下地めっきを施す
- △3 ラベル表記: 英文注記参照



WEEDING THE COVER TAPE : 300 MIN
 (NOT INCLUDE EMPTINESS POCKET)

PELLING ANGLE: 165°~180°
 PEELING STRENGTH:
 0.1~0.7N (300mm/min.)

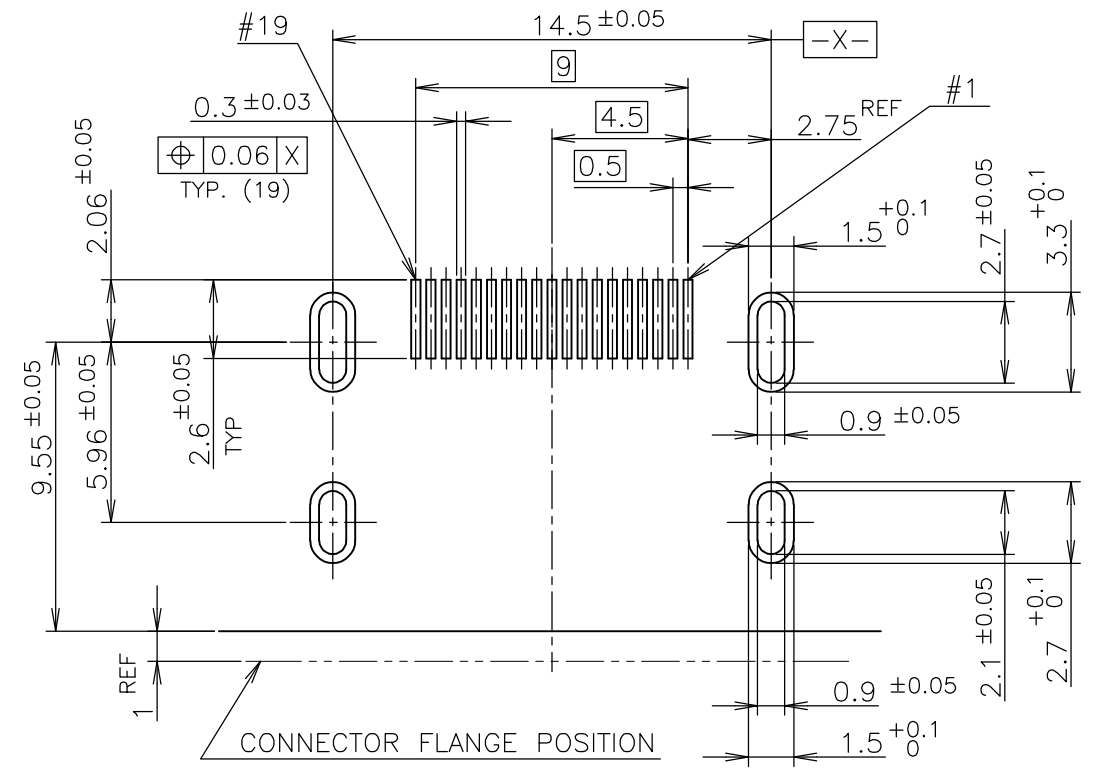
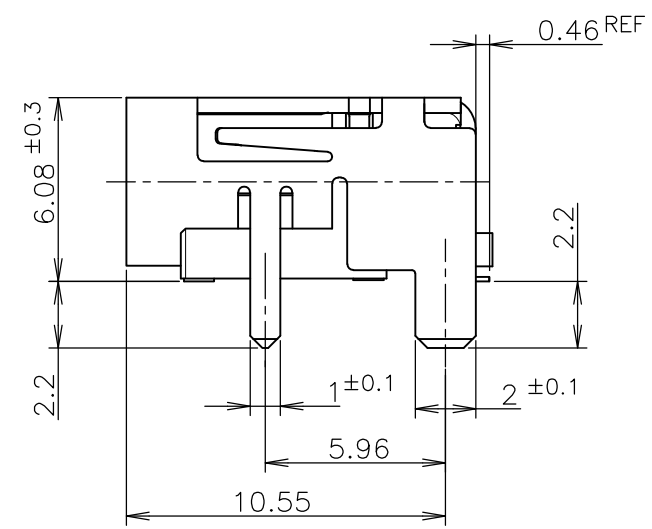
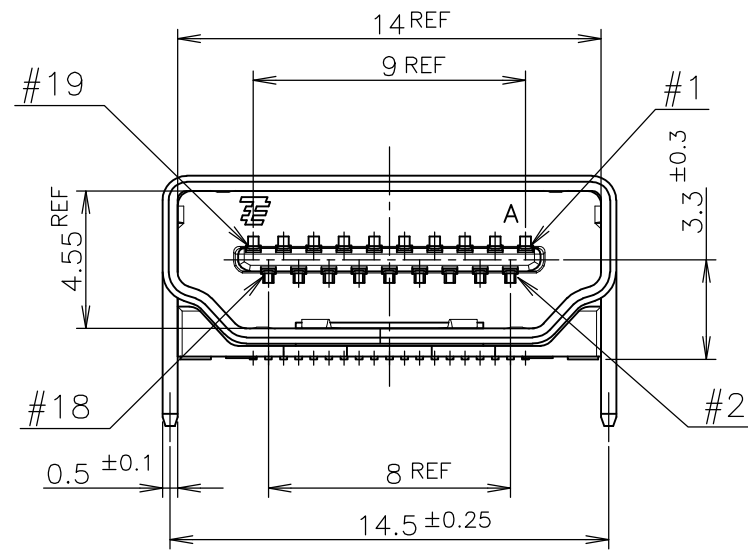
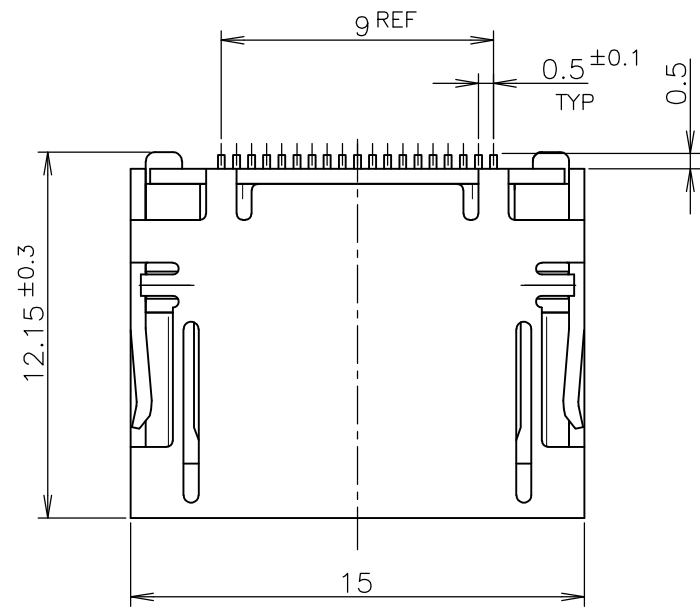


300	0.76	1.8	1.8	(SEE SHEET 3)	WITH BOSS	1827059-5
300	0.3	-	-	(SEE SHEET 3)	WITH BOSS	1827059-4
300	0.76	2.2	2.2	(SEE SHEET 3)	WITH BOSS	1827059-3
300	0.3	-	-	(SEE SHEET 2)	WITHOUT BOSS	1827059-2
300	0.76	-	-	(SEE SHEET 2)	WITHOUT BOSS	1827059-1
QTY	E	D	C	CONNECTOR	BOSS	PART NUMBER
	△2 Au PL.	DIMENSION		PART LIST		

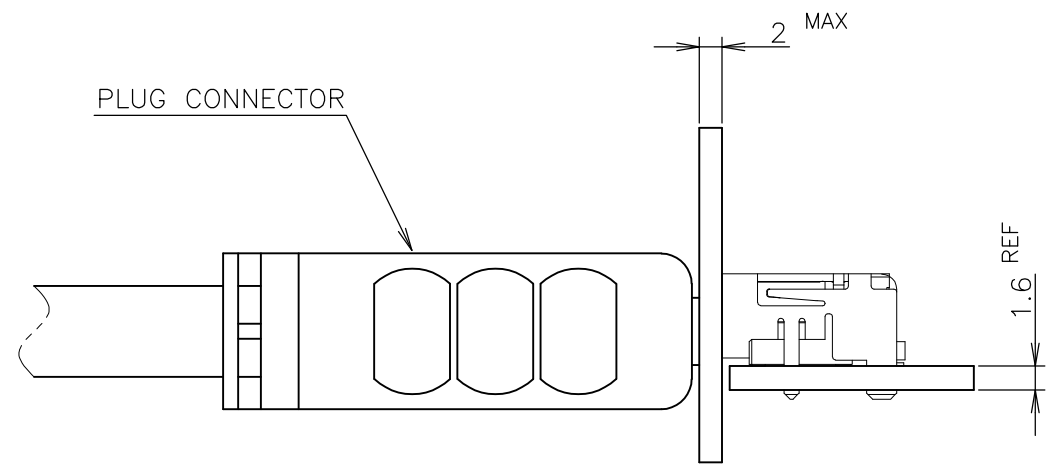
THIS DRAWING IS A CONTROLLED DOCUMENT.		DWN Y. HIRATA 22OCT2004	Tyco Electronics AMP K.K. Kawasaki, Japan	
DIMENSIONS: 単位: 概 mm		CHK T. KIMURA 22OCT2004	NAME K. IKEGAMI	
TOLERANCES UNLESS OTHERWISE SPECIFIED: 一般公差		APVD K. IKEGAMI 22OCT2004	PRODUCT SPEC 製品規格 108-78180	
0-PLC ± 1-PLC ± 2-PLC ± ±0.3 3-PLC ± 4-PLC ± ANGLES ±		APPLICATION SPEC 取付適用規格		SIZE A3
MATERIAL 材料		FINISH 仕上		CAGE CODE 00779
PET COVER TAPE		DRAWING NO G-1827059		RESTRICTED TO
PS CARRIER TAPE		SCALE 尺度 4:1		SHEET 1 OF 3
PLASTIC REEL		CUSTOMER DRAWING		REV E
MATERIAL DESCRIPTION		SCALE 4:1		SHEET 1 OF 3

THIS DRAWING IS UNPUBLISHED. RELEASED FOR PUBLICATION OCT, 2004.
 © COPYRIGHT 2004 BY TYCO ELECTRONICS CORPORATION. ALL RIGHTS RESERVED.

LOC	DIST	REVISIONS					
J		P	LTR	DESCRIPTION	DATE	DWN	APVD
			-	SEE SHEET 1	-	-	-



P.C.B LAYOUT
 SHOWN AS CONNECTOR MOUNTING SIDE
 TOLERANCE: NON-CUMULATIVE
 (REFERENCE)



MATING CONDITION (REFERENCE)
 (SCALE 2:1)

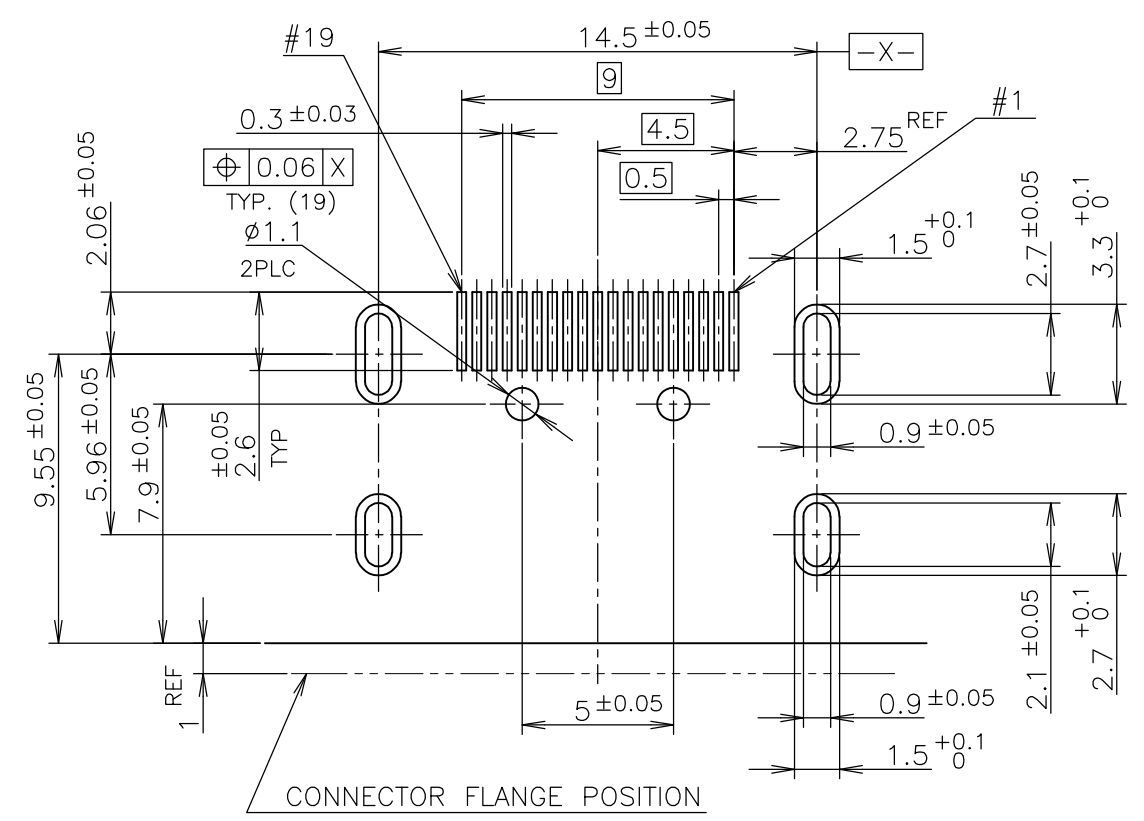
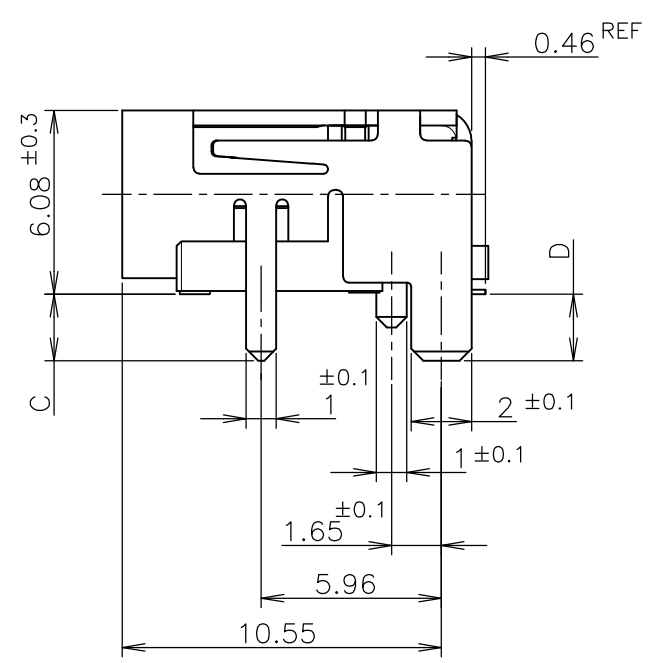
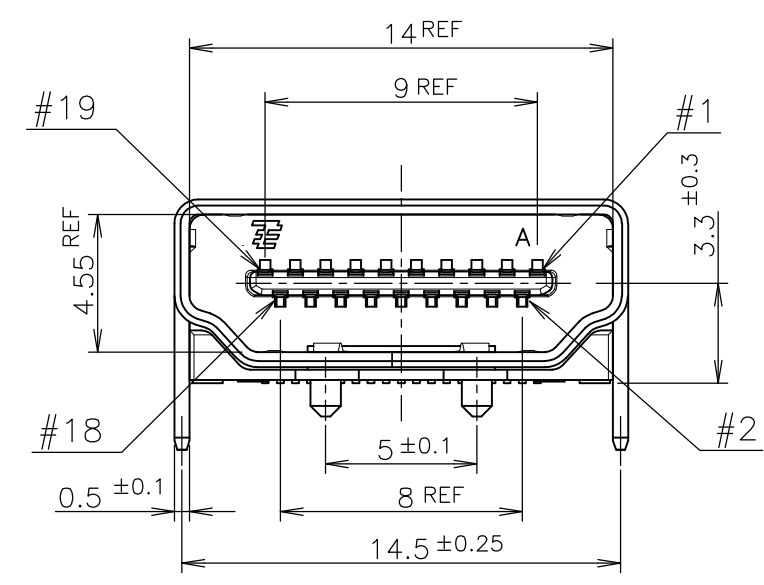
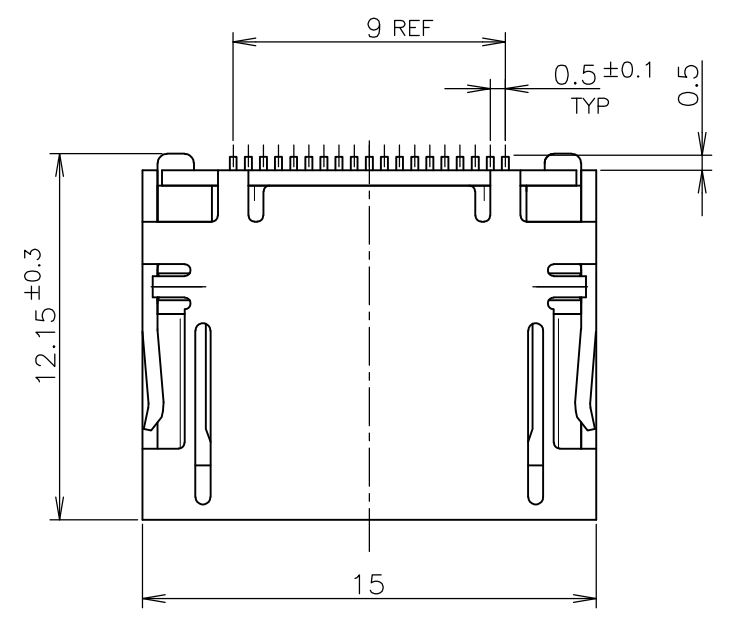
CONNECTOR WITHOUT BOSS TYPE

BRASS	CONTACT	3
PHOSPHOR BRONZE	SHELL	2
THERMOPLASTIC UL94V-0, BLACK COLOR	HOUSING	1
MATERIAL	DESCRIPTION	ITEM

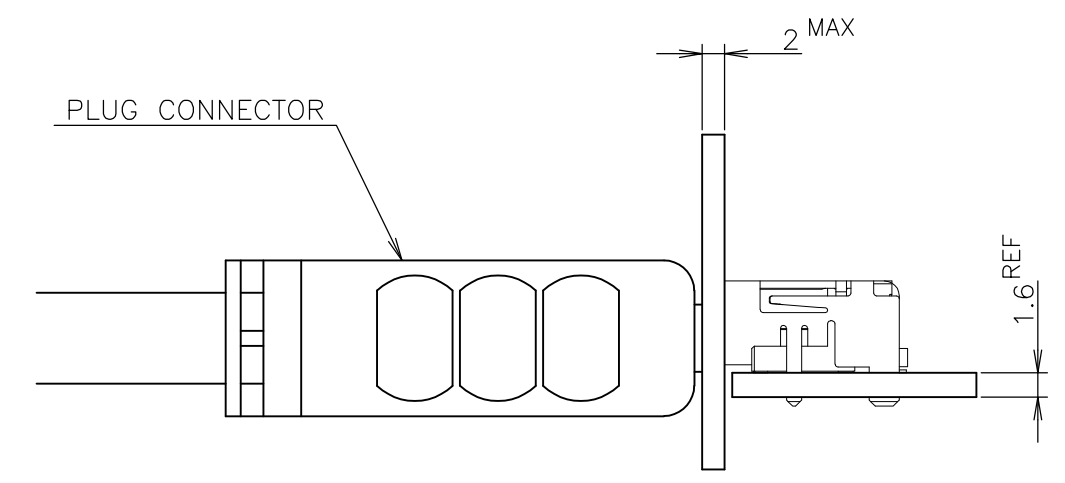
THIS DRAWING IS A CONTROLLED DOCUMENT.		DWN	Tyco Electronics Tyco Electronics AMP K.K. Kawasaki, Japan		
DIMENSIONS: 単位: 耗 mm		CHK	NAME 名称		
TOLERANCES UNLESS OTHERWISE SPECIFIED: 一般公差		APVD	HDMI 19 POS RECEPTACLE ASSY SMT TYPE S		
0 PLC ± 0.2		PRODUCT SPEC 製品規格	SIZE	CAGE CODE	DRAWING NO 番号
1 PLC ± 0.2		APPLICATION SPEC 取付適用規格	A3	00779	G-1827059
2 PLC ± 0.2		WEIGHT	RESTRICTED TO		
3 PLC ± 0.2			-		
4 PLC ± 0.2					
ANGLES ± 2'					
MATERIAL 材料	FINISH 仕上	CUSTOMER DRAWING		SCALE 尺度 2:1	SHEET 2 OF 3
				REV E	

THIS DRAWING IS UNPUBLISHED. RELEASED FOR PUBLICATION OCT, 2004.
 © COPYRIGHT 2004 BY TYCO ELECTRONICS CORPORATION. ALL RIGHTS RESERVED.

LOC	DIST	REVISIONS					
J		P	LTR	DESCRIPTION	DATE	DWN	APVD
			-	SEE SHEET 1	-	-	-



P.C.B LAYOUT
 SHOWN AS CONNECTOR MOUNTING SIDE
 TOLERANCE: NON-CUMULATIVE
 (REFERENCE)



CONNECTOR WITH BOSS TYPE

MATERIAL	DESCRIPTION	ITEM
BRASS	CONTACT	3
PHOSPHOR BRONZE	SHELL	2
THERMOPLASTIC UL94V-0, BLACK COLOR	HOUSING	1

THIS DRAWING IS A CONTROLLED DOCUMENT.		DWN	Tyco Electronics Tyco Electronics AMP K.K. Kawasaki, Japan		
DIMENSIONS: 単位: 耗 mm		CHK	NAME 名称		
TOLERANCES UNLESS OTHERWISE SPECIFIED: 一般公差		APVD	HDMI 19 POS RECEPTACLE ASSY SMT TYPE S		
0 PLC ± 0.2		PRODUCT SPEC 製品規格	SIZE	CAGE CODE	DRAWING NO 番号
1 PLC ± 0.2		APPLICATION SPEC 取付適用規格	A3	00779	G-1827059
2 PLC ± 0.2		WEIGHT	RESTRICTED TO		
3 PLC ± 0.2			-		
4 PLC ± 0.2			SCALE 尺度 4:1		
ANGLES ± 2'			SHEET 3 OF 3		
FINISH 仕上			REV E		
MATERIAL 材料		CUSTOMER DRAWING			