



Chipsmall Limited consists of a professional team with an average of over 10 year of expertise in the distribution of electronic components. Based in Hongkong, we have already established firm and mutual-benefit business relationships with customers from,Europe,America and south Asia,supplying obsolete and hard-to-find components to meet their specific needs.

With the principle of "Quality Parts,Customers Priority,Honest Operation,and Considerate Service",our business mainly focus on the distribution of electronic components. Line cards we deal with include Microchip,ALPS,ROHM,Xilinx,Pulse,ON,Everlight and Freescale. Main products comprise IC,Modules,Potentiometer,IC Socket,Relay,Connector.Our parts cover such applications as commercial,industrial, and automotives areas.

We are looking forward to setting up business relationship with you and hope to provide you with the best service and solution. Let us make a better world for our industry!



## Contact us

Tel: +86-755-8981 8866 Fax: +86-755-8427 6832

Email & Skype: info@chipsmall.com Web: www.chipsmall.com

Address: A1208, Overseas Decoration Building, #122 Zhenhua RD., Futian, Shenzhen, China



4

3

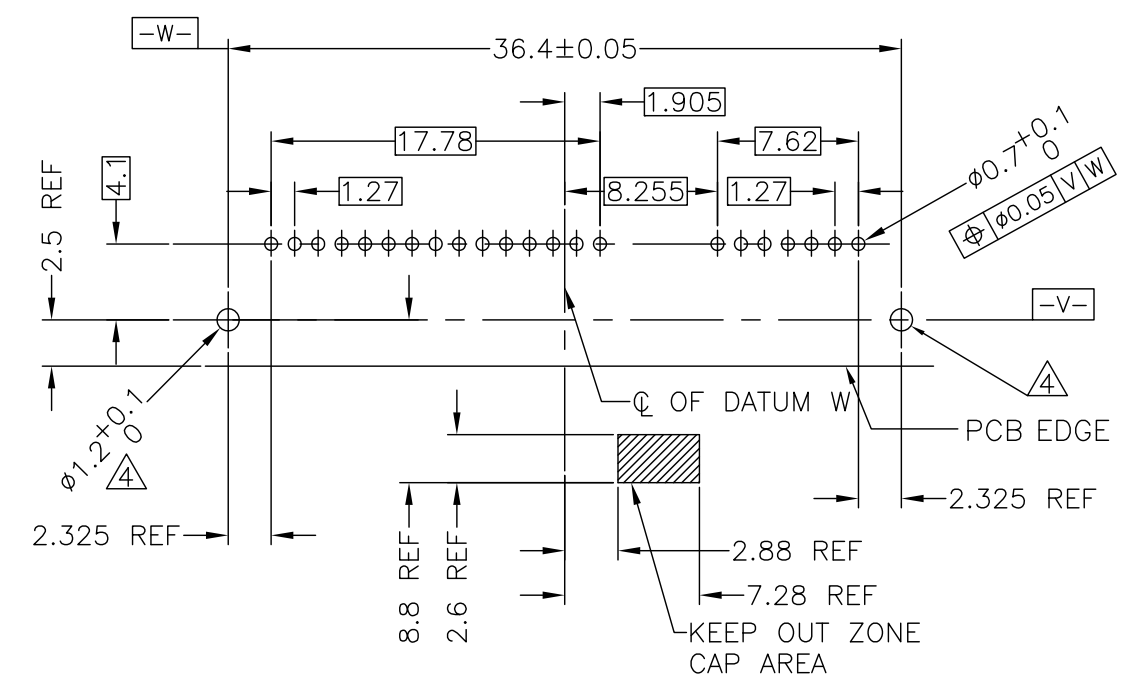
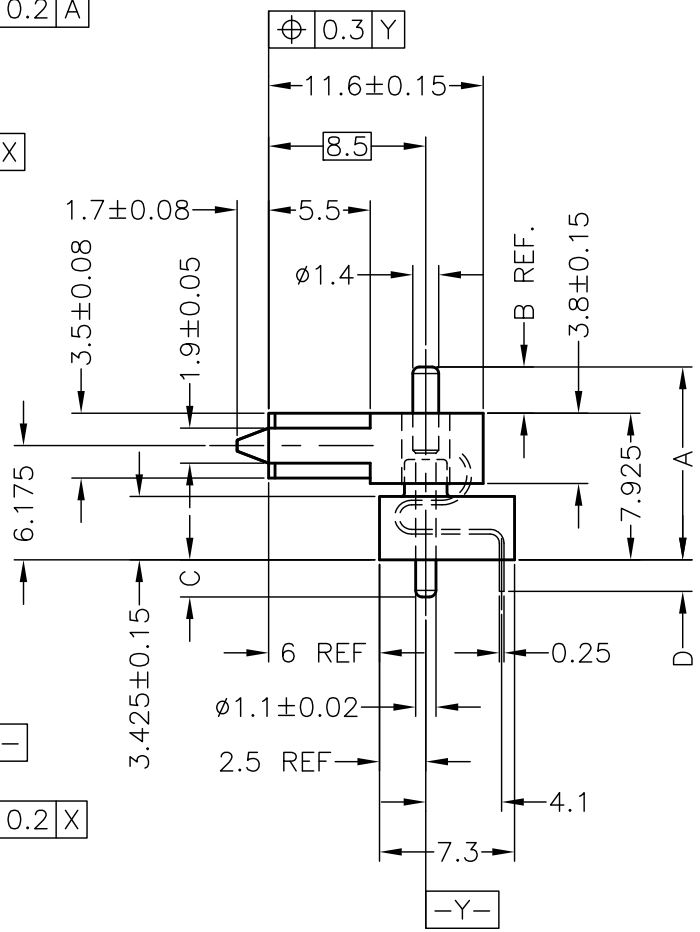
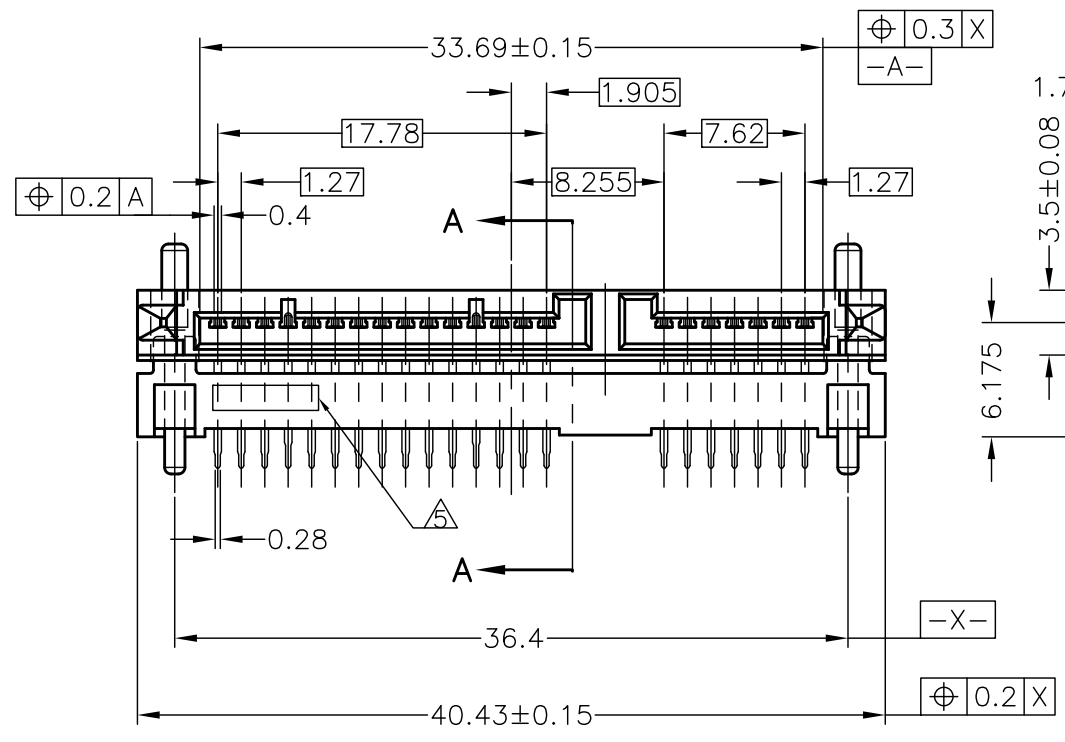
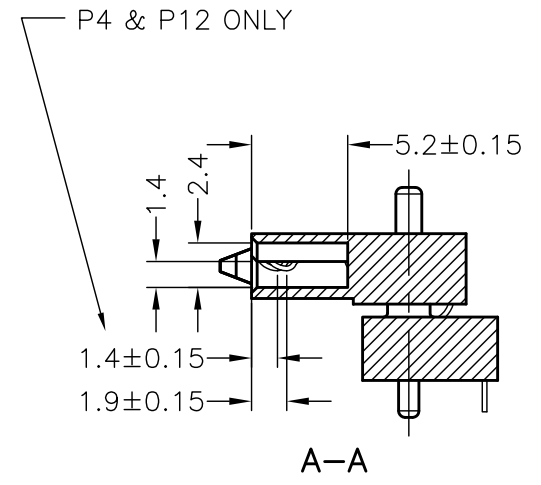
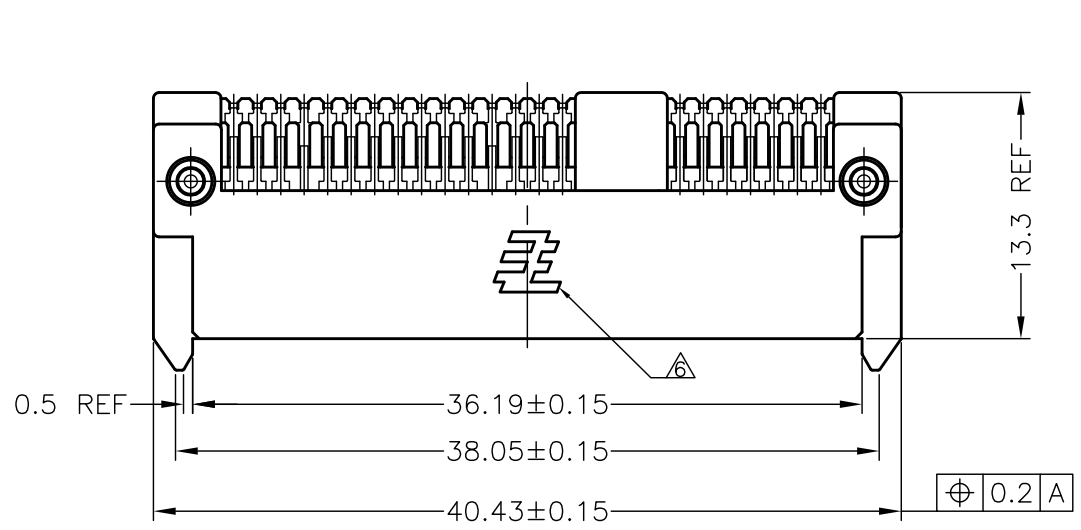
2

1

THIS DRAWING IS UNPUBLISHED. RELEASED FOR PUBLICATION ,2005.  
 ALL RIGHTS RESERVED.

LOC	DIST	REVISIONS					
J		P	LTR	DESCRIPTION	DATE	DWN	APVD
		G4		REVISED (ECR-13-001920)	03JUL2013	B.W	V.P

NOTES: CONNECTOR  
 1. MATERIAL:  
 HOUSING: THERMOPLASTIC HIGH TEMP., UL94V-0,  
 COLOR: BLACK.  
 CONTACT: PHOSPHOR BRONZE  
 PIN: BRASS  
 TRAY: PS 0.8t (COLOR, WHITE)  
 EMBOSS TAPE: PS, COLOR: CLEAR  
 COVER TAPE: PET  
 2. FINISH:  
 CONTACT: GOLD PLATING ON CONTACT AREA  
 TIN MATTE PLATING ON SOLDER TAILS  
 NICKEL UNDERPLATED OVER ALL  
 PIN: TIN MATTE PLATING OVER ALL  
 NICKEL UNDERPLATED OVER ALL  
 3. QTY: 30 PRODUCTS / TRAY  
 150 PRODUCTS / REEL  
 4. PIN MUST BE SOLDERED WITH PCB.  
 5. DATE CODE AND ASSY MACHINE ID  
 6. TE LOGO MUST BE CLEAR AND LEGIBLE.



REFERENCE PCB LAYOUT  
 REFERENCE PCB THICKNESS t=1.2

1.2	1.4	1.5 REF.	9.425	1827334-5
1.7	2	1.5 REF.	9.425	1827334-4
1.7	2	2.5 REF.	10.425	1827334-3
				1827334-2
1.7	2	2.5 REF.	10.425	1827334-1
D	C	B REF.	A	P/N

OBSELETE

AS SHOWN : WITHOUT CAP

THIS DRAWING IS A CONTROLLED DOCUMENT.		DWN	M.UMEHARA	27APR2005
DIMENSIONS: 單位: 耗 mm		CHK	A.KUBO	27APR2005
TOLERANCES UNLESS OTHERWISE SPECIFIED: 一般公差		APVD	Y.YAMAMOTO	27APR2005
0 PLC ± 0.2		NAME 名称		
1 PLC ± 0.2		REC ASSY		
2 PLC ± 0.2		A-FREE S-ATA H6.175		
3 PLC ± 0.2		SIZE		
4 PLC ± 0.2		CAGE CODE		
ANGLES ± 3'		DRAWING NO 番号		
MATERIAL 材料		A3 00779		
FINISH 仕上		1827334		
WEIGHT		RESTRICTED TO		
CUSTOMER DRAWING		SCALE 尺度 NTS		
		SHEET 1 OF 4		
		REV G4		

4

3

2

1

THIS DRAWING IS UNPUBLISHED.

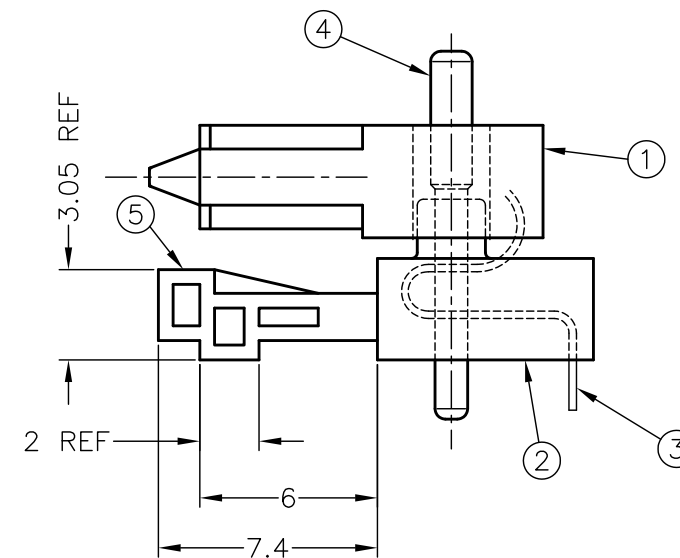
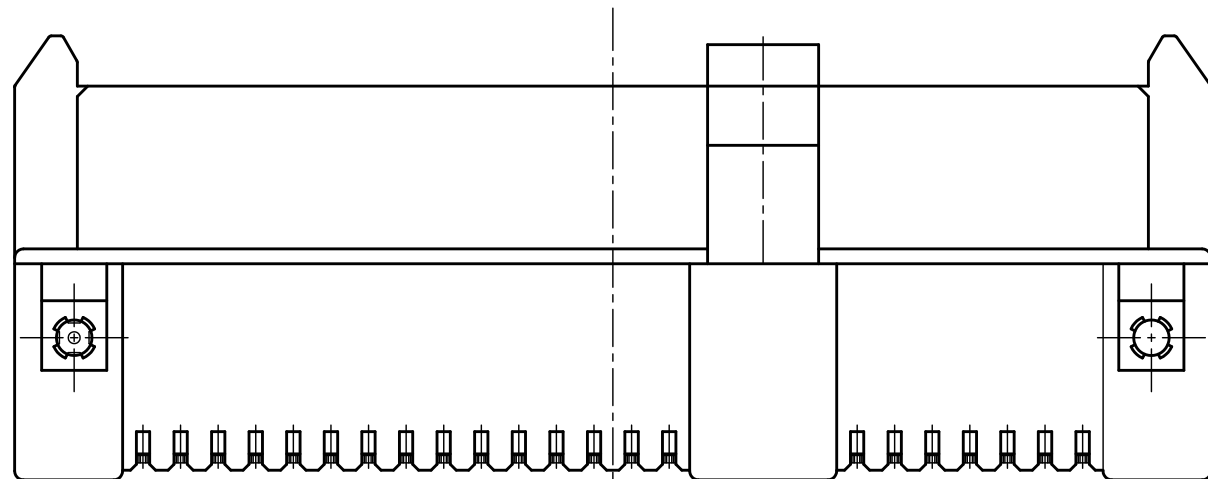
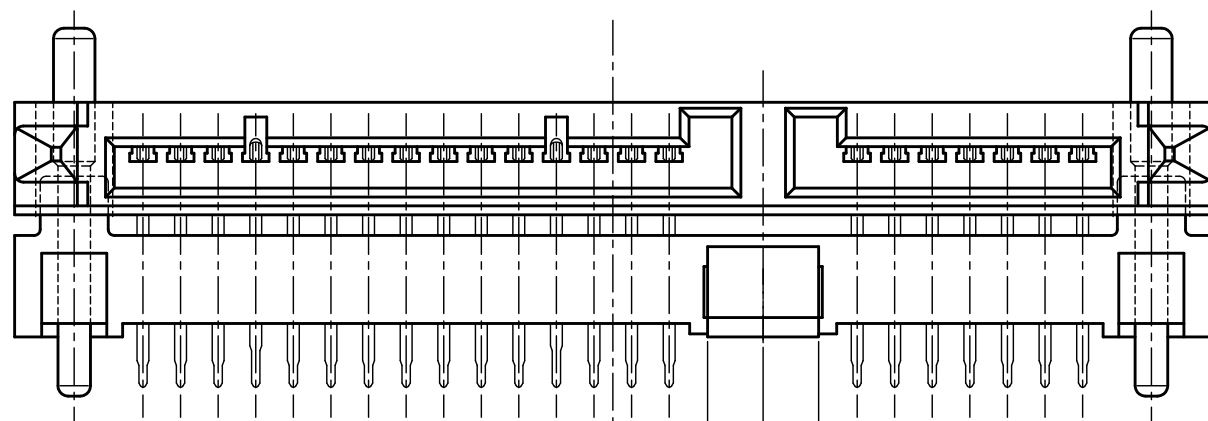
RELEASED FOR PUBLICATION

,2005.

ALL RIGHTS RESERVED.

© COPYRIGHT 2005 By -

LOC	DIST	REVISIONS					
J		P	LTR	DESCRIPTION	DATE	DWN	APVD
		-		SEE SHEET 1	-	-	-



← CAP REMOVE DIRECTION  
STROKE 7.0mm MIN.

CAP	5
PIN	4
CONTACT	3
LOWER HOUSING	2
UPPER HOUSING	1
PART LIST	ITEM NO.

THIS DRAWING IS A CONTROLLED DOCUMENT.		DWN		TE Connectivity	
DIMENSIONS: 單位: 耗 mm		CHK			
TOLERANCES UNLESS OTHERWISE SPECIFIED: 一般公差		APVD		NAME 名稱	
0 PLC ±		PRODUCT SPEC 製品規格		REC ASSY	
1 PLC ±		APPLICATION SPEC 取付適用規格		A-FREE S-ATA H6.175	
2 PLC ±		WEIGHT		SIZE	
3 PLC ±		CUSTOMER DRAWING		CAGE CODE	
4 PLC ±		SCALE 尺度 4:1		DRAWING NO 番号	
ANGLES ±		SHEET 2 OF 4		RESTRICTED TO	
MATERIAL 材料		REV G4		A3 00779	
FINISH 仕上		SCALE 4:1		DRAWING NO 1827334	

AS SHOWN : WITH CAP

4

3

2

1

THIS DRAWING IS UNPUBLISHED. RELEASED FOR PUBLICATION ,2005.  
 © COPYRIGHT 2005 By - ALL RIGHTS RESERVED.

LOC	DIST	REVISIONS					
J		P	LTR	DESCRIPTION	DATE	DWN	APVD
		-		SEE SHEET 1	-	-	-

D

C

B

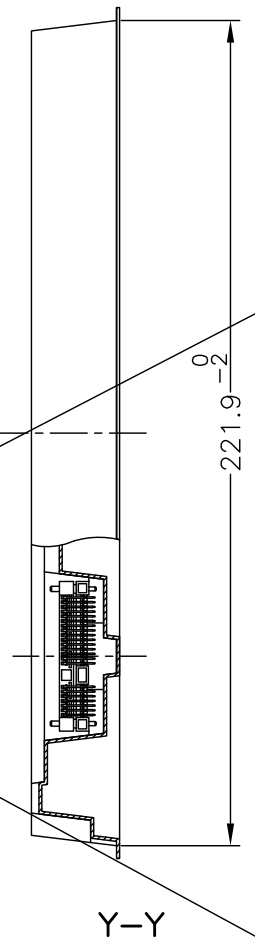
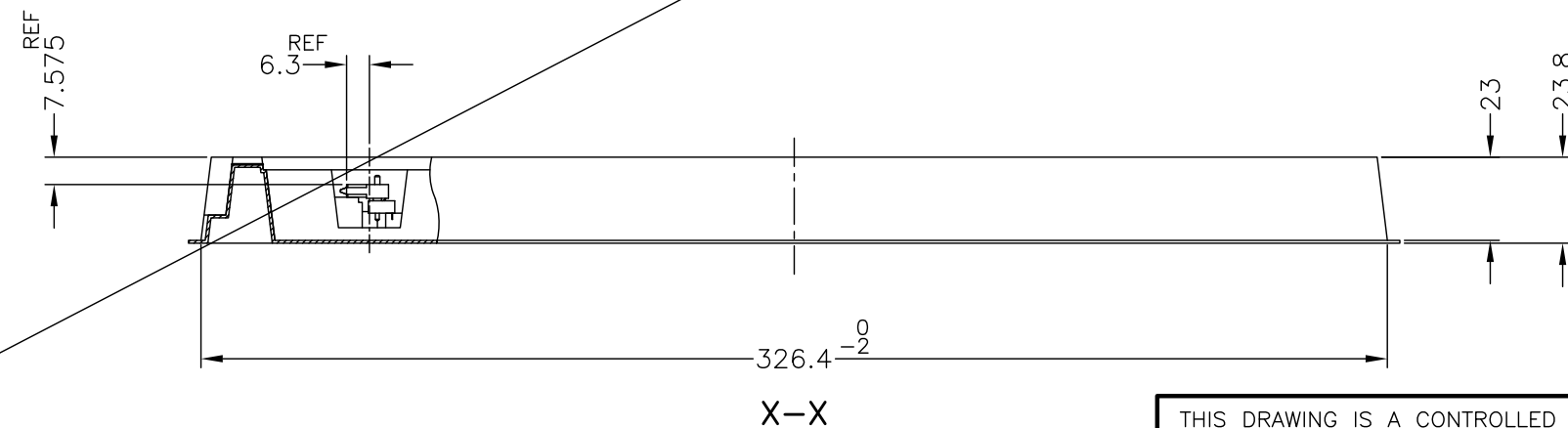
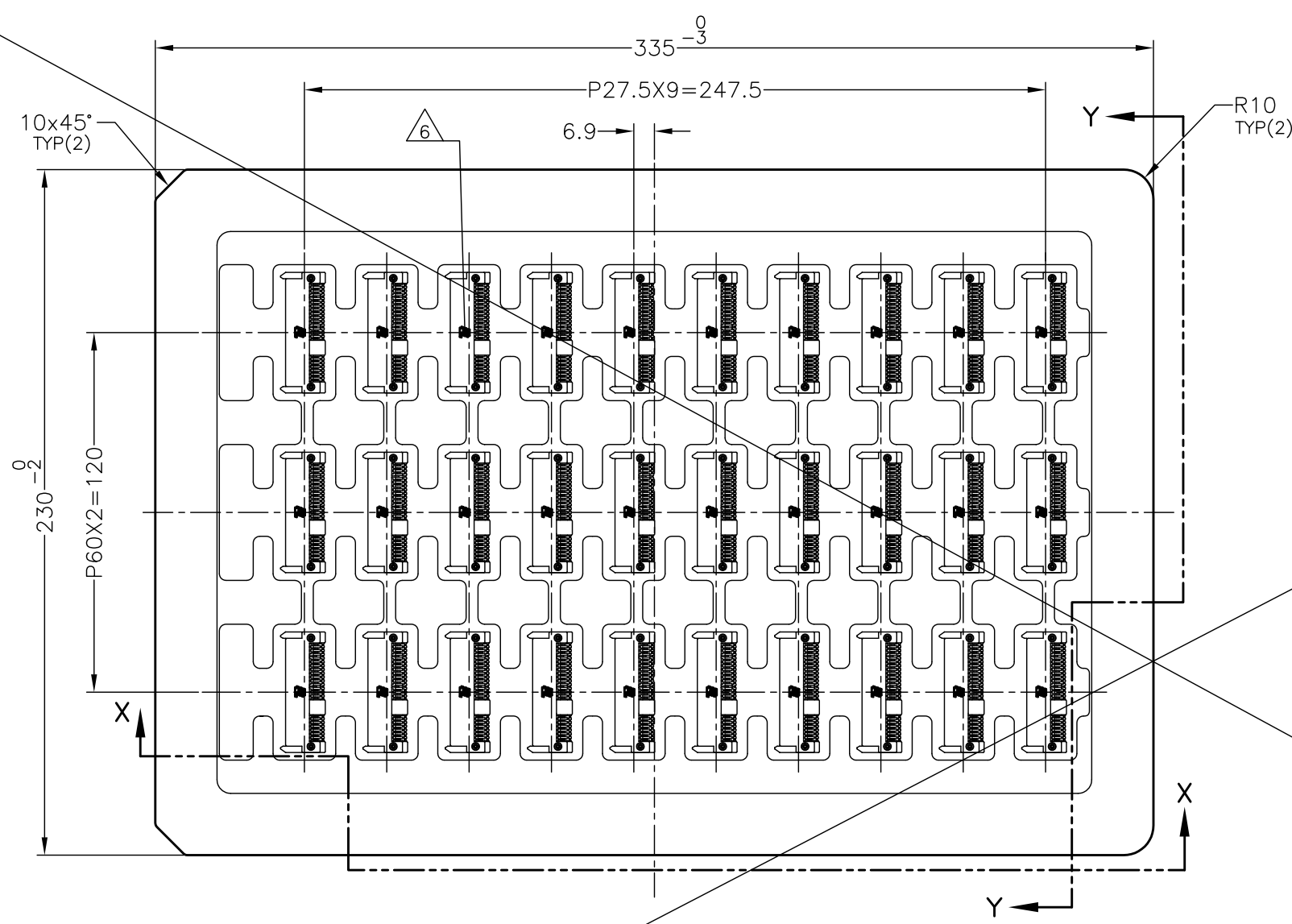
A

D

C

B

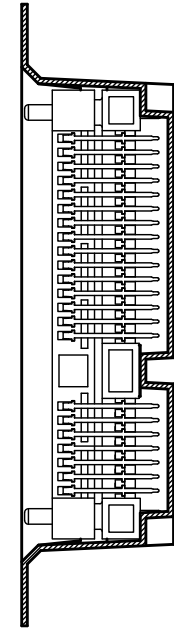
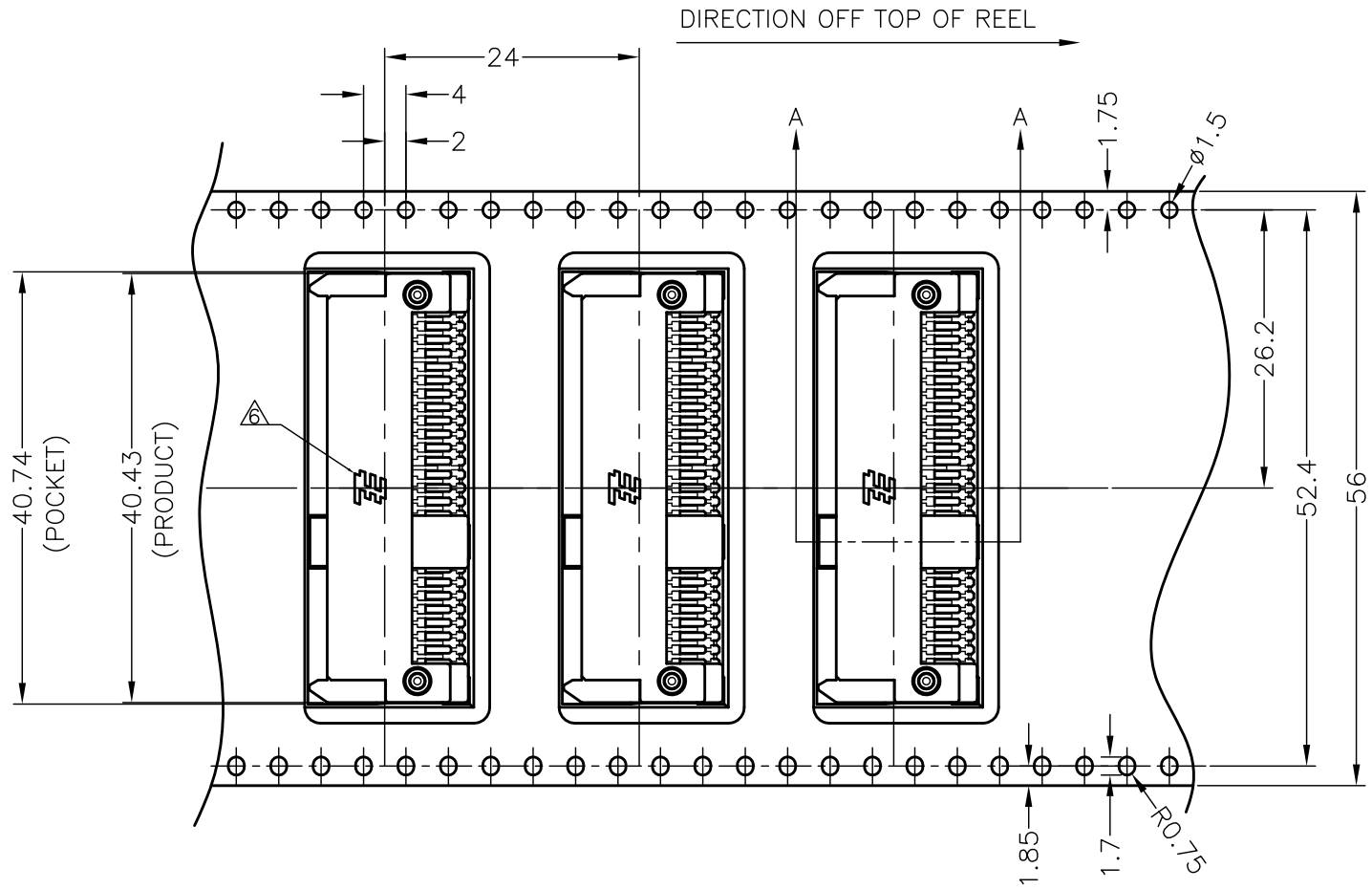
A



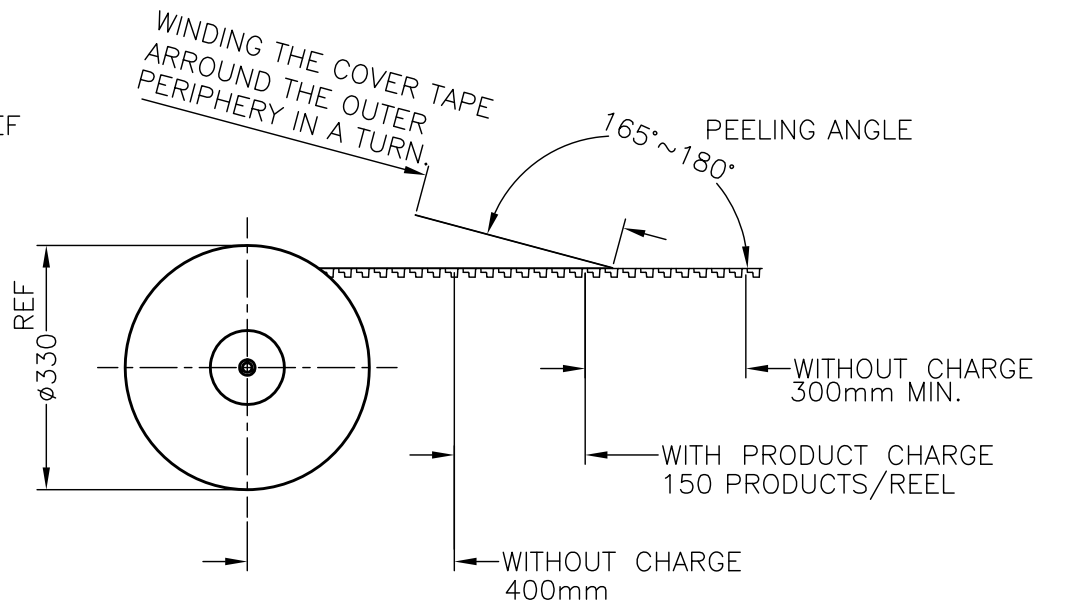
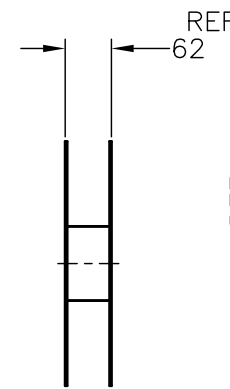
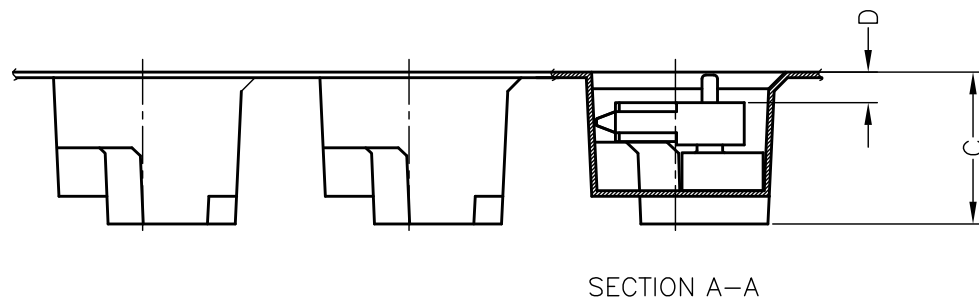
AS SHOWN :  
 1827334-1 (TRAY, W/O CAP)  
 1827334-3 (TRAY, WITH CAP)

THIS DRAWING IS A CONTROLLED DOCUMENT.		DWN		TE Connectivity	
DIMENSIONS: 單位: 耗 mm		CHK			
TOLERANCES UNLESS OTHERWISE SPECIFIED: 一般公差		APVD		NAME 名称	
0 PLC ± 1 PLC ± 2 PLC ± ±1.0 3 PLC ± 4 PLC ± ANGLES ±		PRODUCT SPEC 製品規格		REC ASSY A-FREE S-ATA H6.175	
MATERIAL 材料		FINISH 仕上		APPLICATION SPEC 取付適用規格	
		WEIGHT		SIZE CAGE CODE DRAWING NO A3 00779 番号 1827334	
		CUSTOMER DRAWING		RESTRICTED TO	
		SCALE 尺度 1:2		SHEET 3 OF 4	
				REV G4	

LOC	DIST	REVISIONS					
J		P	LTR	DESCRIPTION	DATE	DWN	APVD
		-	-	SEE SHEET 1	-	-	-



1.755	12.68	1827334-5
1.755	12.68	1827334-4
2.755	13.68	1827334-2
DIM. D	DIM. C	P/N



AS SHOWN :  
 1827334-2 (TAPE & REEL, W/O CAP)  
 1827334-4 (TAPE & REEL, WITH CAP)

THIS DRAWING IS A CONTROLLED DOCUMENT.		DWN	<b>STE</b> TE Connectivity	
DIMENSIONS: 單位: 耗 mm		CHK		
TOLERANCES UNLESS OTHERWISE SPECIFIED: 一般公差		APVD	NAME 名稱	
0 PLC ±		PRODUCT SPEC 製品規格	REC ASSY	
1 PLC ±		APPLICATION SPEC 取付適用規格	A-FREE S-ATA H6.175	
2 PLC ± ±0.3		WEIGHT	SIZE	CAGE CODE
3 PLC ±		CUSTOMER DRAWING	A3	00779
4 PLC ±			DRAWING NO 番号	1827334
ANGLES ±		SCALE 尺度	NTS	SHEET
MATERIAL 材料	FINISH 仕上	RESTRICTED TO		REV
△		4 OF 4		G4