



Chipsmall Limited consists of a professional team with an average of over 10 year of expertise in the distribution of electronic components. Based in Hongkong, we have already established firm and mutual-benefit business relationships with customers from,Europe,America and south Asia,supplying obsolete and hard-to-find components to meet their specific needs.

With the principle of “Quality Parts,Customers Priority,Honest Operation,and Considerate Service”,our business mainly focus on the distribution of electronic components. Line cards we deal with include Microchip,ALPS,ROHM,Xilinx,Pulse,ON,Everlight and Freescale. Main products comprise IC,Modules,Potentiometer,IC Socket,Relay,Connector.Our parts cover such applications as commercial,industrial, and automotives areas.

We are looking forward to setting up business relationship with you and hope to provide you with the best service and solution. Let us make a better world for our industry!



Contact us

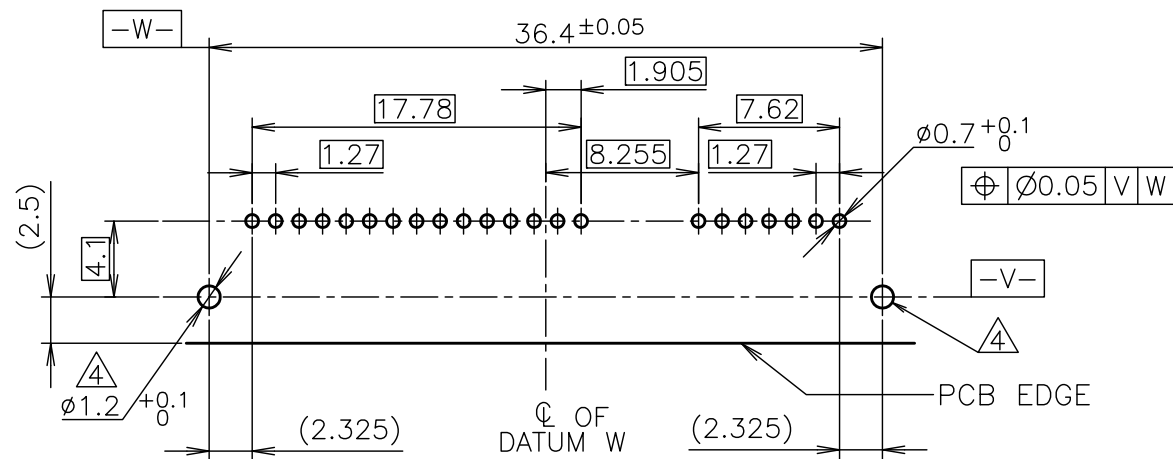
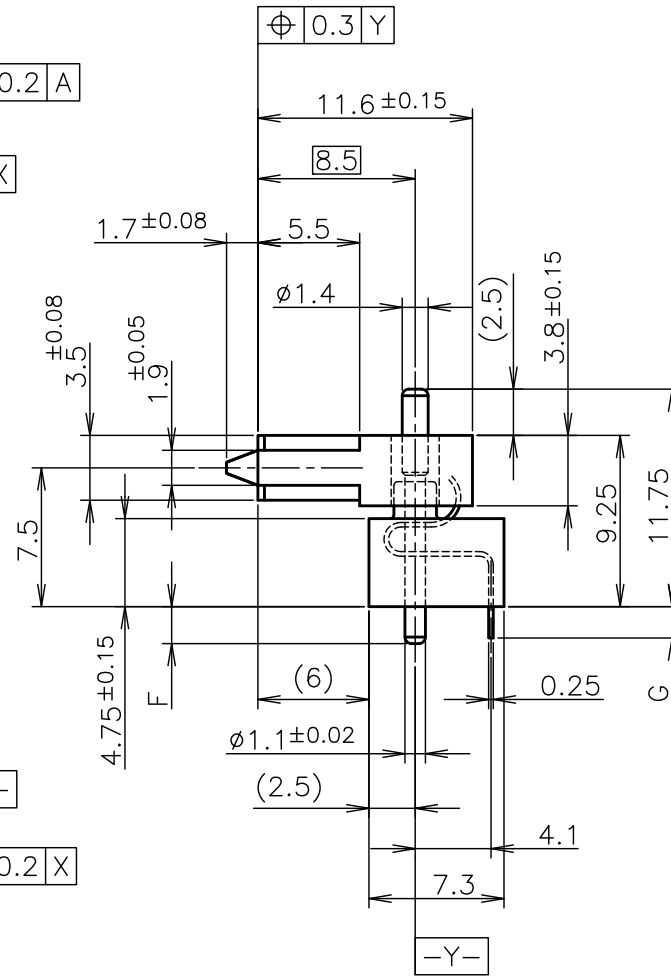
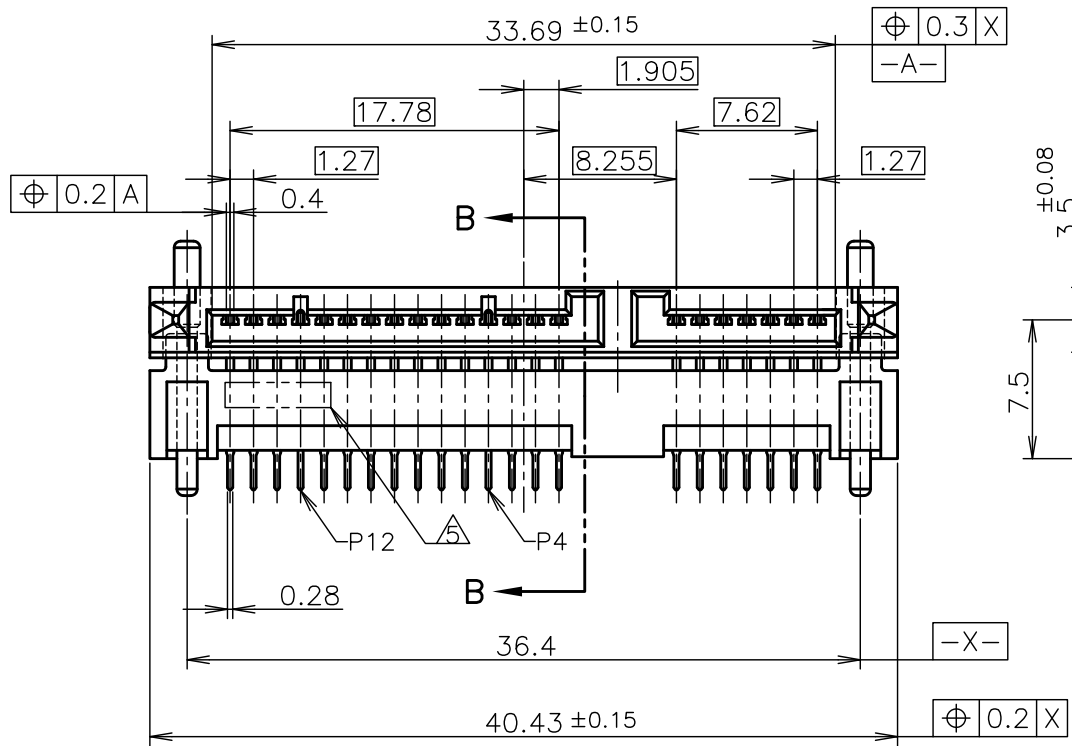
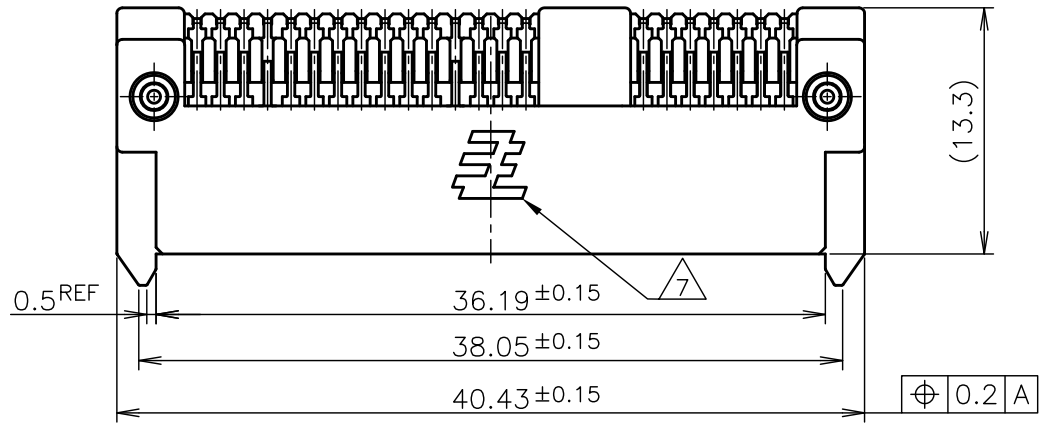
Tel: +86-755-8981 8866 Fax: +86-755-8427 6832

Email & Skype: info@chipsmall.com Web: www.chipsmall.com

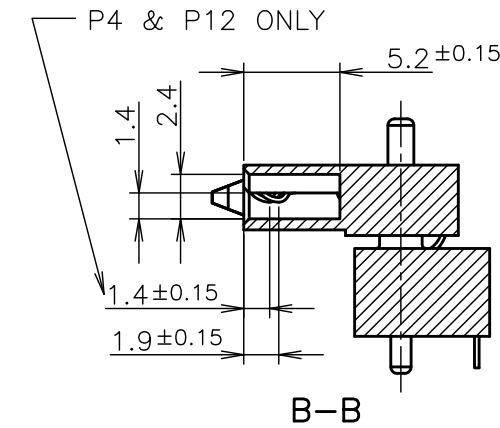
Address: A1208, Overseas Decoration Building, #122 Zhenhua RD., Futian, Shenzhen, China



LOC	DIST	REVISIONS					
J		P	LTR	DESCRIPTION	DATE	DWN	APVD
		E1		REVISED (ECR-13-001920)	03JUL2013	B.W	V.P



- △ MATERIAL:
 HOUSING: THERMOPLASTIC HIGH TEMP. UL94V-0,
 COLOR: BLACK.
 CONTACT: PHOSPHOR BRONZE
 PIN: BRASS
 TRAY: PS 0.8t (COLOR, WHITE)
 EMBOSS TAPE: PS, COLOR: CLEAR
 COVER TAPE: PET
- △ FINISH:
 CONTACT: 0.0002 MIN. GOLD PLATING ON CONTACT AREA
 TIN MATTE PLATING ON SOLDER TAILS
 NICKEL UNDER PLATED OVER ALL
 PIN: TIN MATTE PLATING OVER ALL
 NICKEL UNDER PLATED OVER ALL
- 3 QTY: 30 PRODUCTS / TRAY
 130 PRODUCTS / REEL (P/N:1827335-2,-3)
 120 PRODUCTS / REEL (P/N:1827335-4)
- △ PIN MUST BE SOLDERED WITH PCB.
- △ DATE CODE AND ASSY MACHINE ID
- △ FINISH:
 CONTACT: 0.00076 MIN. GOLD PLATING ON CONTACT AREA
 TIN MATTE PLATING ON SOLDER TAILS
 NICKEL UNDER PLATED OVER ALL
 PIN: TIN MATTE PLATING OVER ALL
 NICKEL UNDER PLATED OVER ALL
- △ TE LOGO MUST BE CLEAR AND LEGIBLE. TE CONNECTIVITY
 P/N 15994-1



OBSOLETE	2.4	2.7	△6	1827335-4
	-1.7	2.0	△6	1827335-3
	-1.7	2.0	△6	1827335-2
	-1.7	2.0	△6	1827335-1
	G	F	FINISH	PART NO

REFERENCE PCB LAYOUT
 REFERENCE PCB THICKNESS t=1.2 : AS SHOWN -1,-2,-3
 REFERENCE PCB THICKNESS t=1.6 : AS SHOWN -4

THIS DRAWING IS A CONTROLLED DOCUMENT.		DWN	M.UMEHARA	27APR2005	TE Connectivity
DIMENSIONS: 單位: 耗 mm		CHK	A.KUBO	27APR2005	
TOLERANCES UNLESS OTHERWISE SPECIFIED: 一般公差		APVD	Y.YAMAMOTO	27APR2005	NAME 名称 REC ASSY A-FREE S-ATA H7.5
0 PLC ± 0.2		PRODUCT SPEC 製品規格		108-78274	
1 PLC ± 0.2		APPLICATION SPEC 取付適用規格			SIZE A3
2 PLC ± 0.2		WEIGHT		00779	
3 PLC ± 0.2		CUSTOMER DRAWING			CAGE CODE 00779
4 PLC ± 0.2		FINISH 仕上		SEE TABLE	
ANGLES ± 3'		MATERIAL 材料		△	DRAWING NO 番号 1827335
					RESTRICTED TO -
					SCALE 尺度 NTS
					SHEET 1 OF 3
					REV E1

4

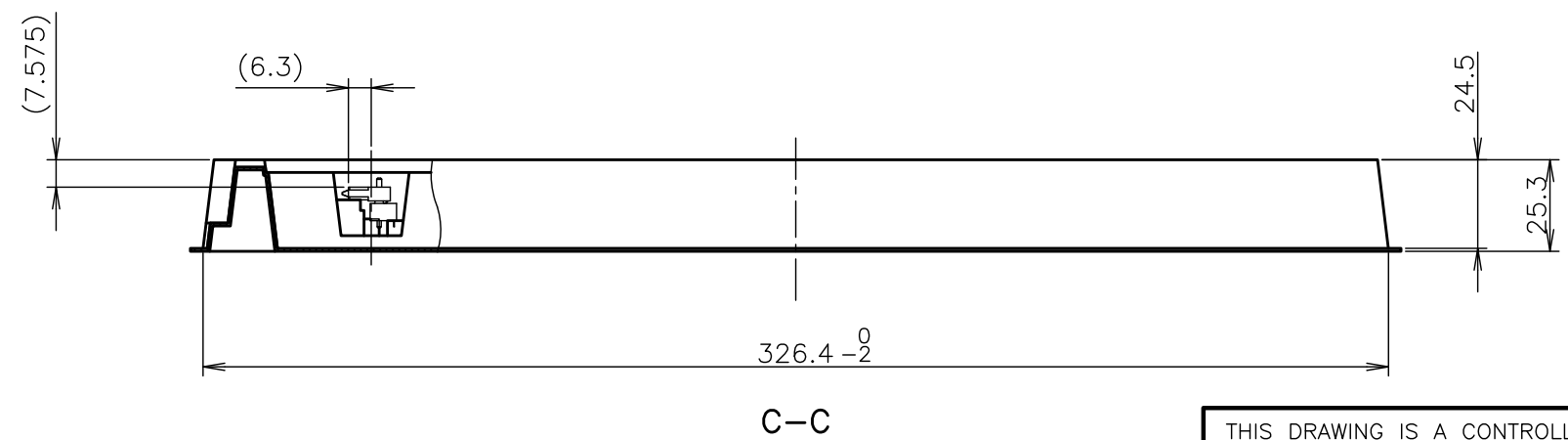
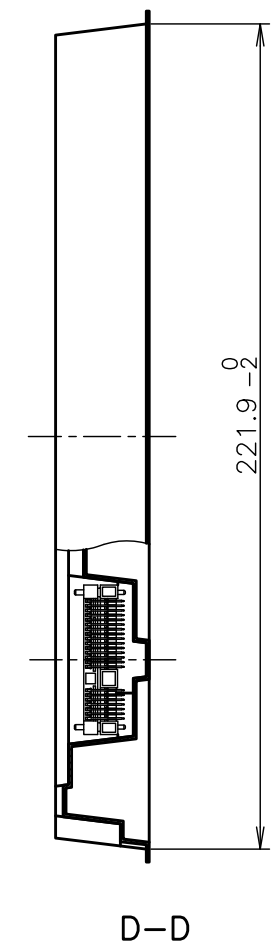
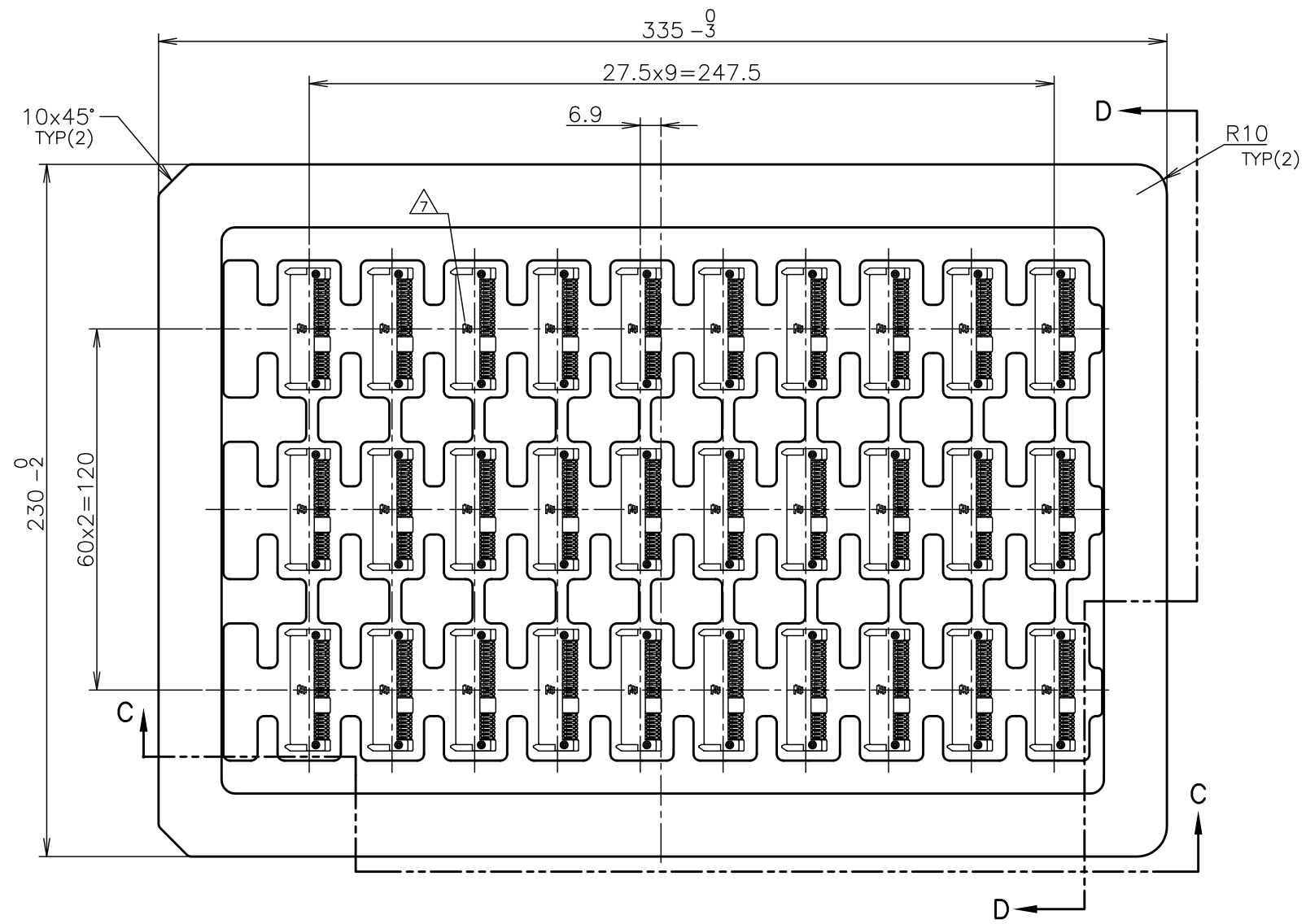
3

2

1

THIS DRAWING IS UNPUBLISHED. RELEASED FOR PUBLICATION APR ,2005.
 © COPYRIGHT 2005 By - ALL RIGHTS RESERVED.

LOC	DIST	REVISIONS					
J		P	LTR	DESCRIPTION	DATE	DWN	APVD
		-		SEE SHEET 1	-	-	-



AS SHOWN: 1827335-1

THIS DRAWING IS A CONTROLLED DOCUMENT.		DWN		TE Connectivity	
DIMENSIONS: 單位: 耗 mm		CHK			
TOLERANCES UNLESS OTHERWISE SPECIFIED: 一般公差		APVD		NAME 名称	
0 PLC ± 1 PLC ± 2 PLC ± ±1.0 3 PLC ± 4 PLC ± ANGLES ±		PRODUCT SPEC 製品規格		REC ASSY	
MATERIAL 材料		APPLICATION SPEC 取付適用規格		A-FREE S-ATA H7.5	
FINISH 仕上		WEIGHT		SIZE A3	CAGE CODE 00779
		CUSTOMER DRAWING		DRAWING NO 番号 1827335	RESTRICTED TO
				SCALE 尺度 1:2	SHEET 2 OF 3
				REV E1	

4

3

2

1

THIS DRAWING IS UNPUBLISHED. RELEASED FOR PUBLICATION APR ,2005.
 © COPYRIGHT 2005 By - ALL RIGHTS RESERVED.

LOC	DIST	REVISIONS 変更					
J		P	LTR	DESCRIPTION	DATE	DWN	APVD
		-		SEE SHEET 1	-	-	-

D

C

B

A

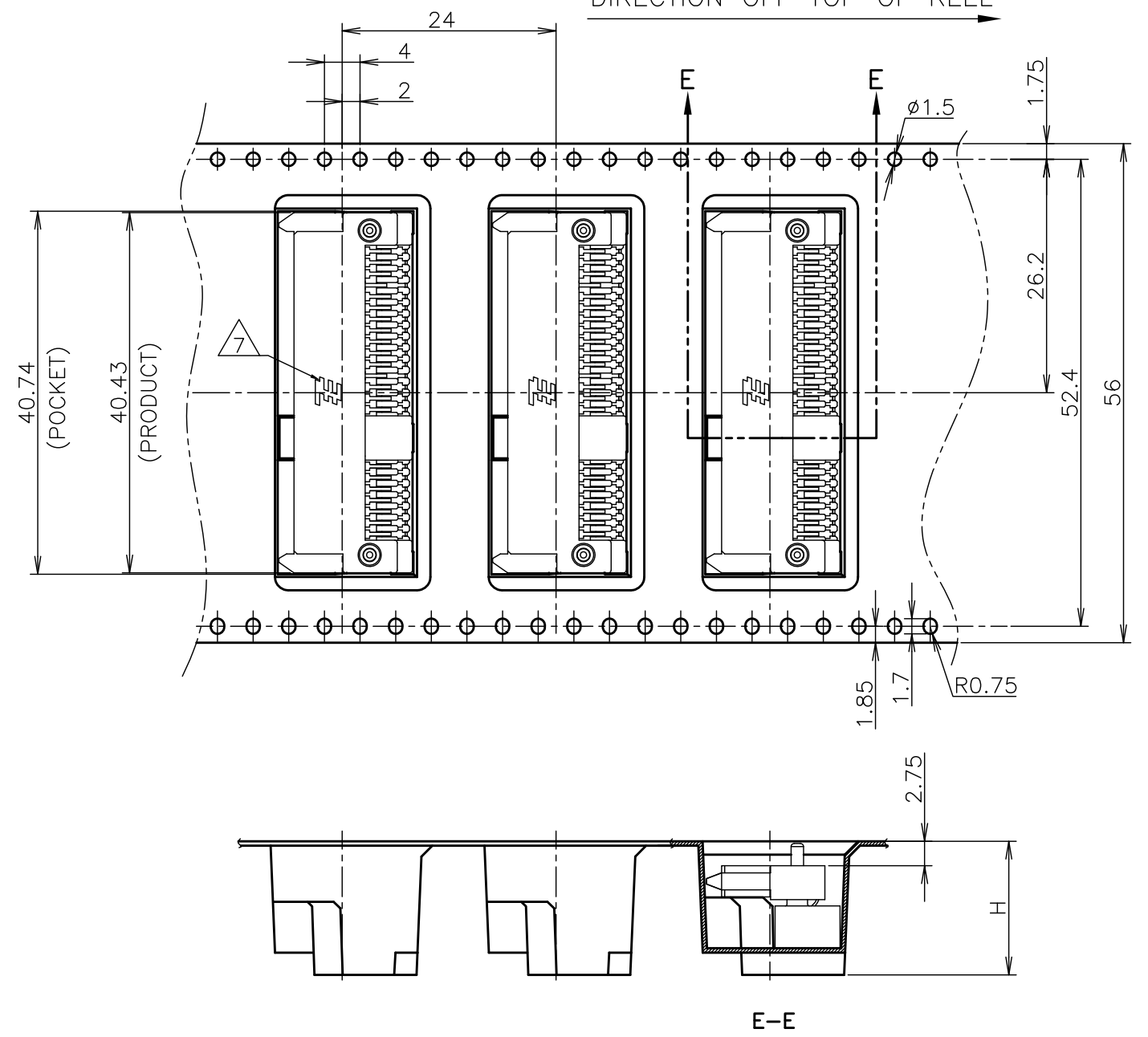
D

C

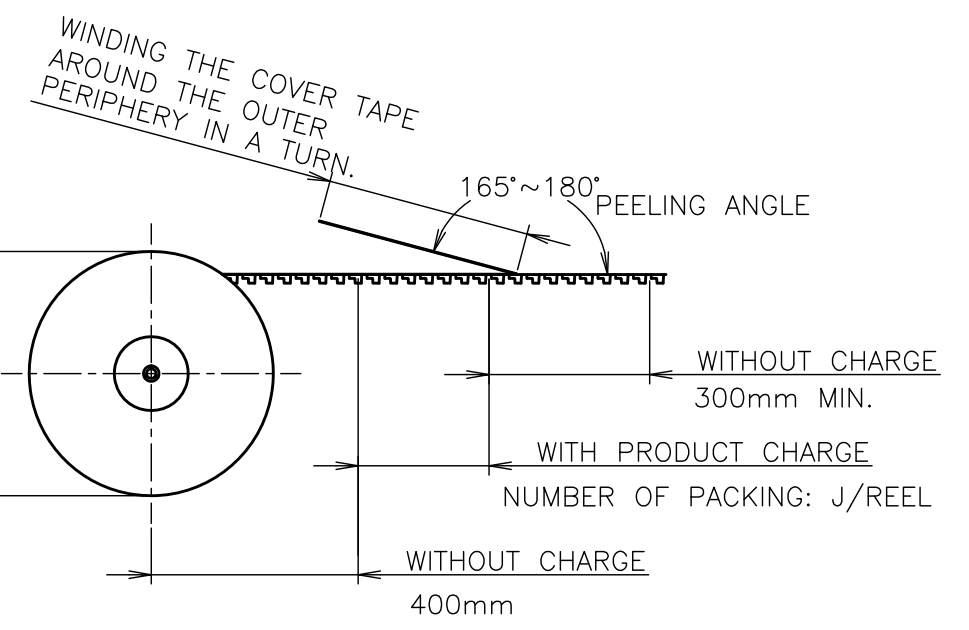
B

A

DIRECTION OFF TOP OF REEL



120 PCS	16.0	1827335-4
130 PCS	15.0	1827335-3
130 PCS	15.0	1827335-2
PACKING QTY: J	H	PART NO.



AS SHOWN: 1827335-2,-3,-4

THIS DRAWING IS A CONTROLLED DOCUMENT.		DWN	TE Connectivity			
DIMENSIONS: 單位: 耗 mm		CHK				
TOLERANCES UNLESS OTHERWISE SPECIFIED: 一般公差		APVD	NAME 名称			
0 PLC ± 1 PLC ± 2 PLC ± ±0.3 3 PLC ± 4 PLC ± ANGLES ±		PRODUCT SPEC 製品規格	REC ASSY A-FREE S-ATA H7.5			
MATERIAL 材料		APPLICATION SPEC 取付適用規格	SIZE	CAGE CODE	DRAWING NO 番号	RESTRICTED TO
FINISH 仕上		WEIGHT	A3	00779	1827335	-
		CUSTOMER DRAWING	SCALE 尺度	NTS	SHEET 3 of 3	REV E1