



Chipsmall Limited consists of a professional team with an average of over 10 year of expertise in the distribution of electronic components. Based in Hongkong, we have already established firm and mutual-benefit business relationships with customers from,Europe,America and south Asia,supplying obsolete and hard-to-find components to meet their specific needs.

With the principle of “Quality Parts,Customers Priority,Honest Operation,and Considerate Service”,our business mainly focus on the distribution of electronic components. Line cards we deal with include Microchip,ALPS,ROHM,Xilinx,Pulse,ON,Everlight and Freescale. Main products comprise IC,Modules,Potentiometer,IC Socket,Relay,Connector.Our parts cover such applications as commercial,industrial, and automotives areas.

We are looking forward to setting up business relationship with you and hope to provide you with the best service and solution. Let us make a better world for our industry!



Contact us

Tel: +86-755-8981 8866 Fax: +86-755-8427 6832

Email & Skype: info@chipsmall.com Web: www.chipsmall.com

Address: A1208, Overseas Decoration Building, #122 Zhenhua RD., Futian, Shenzhen, China



THIS DRAWING IS UNPUBLISHED.

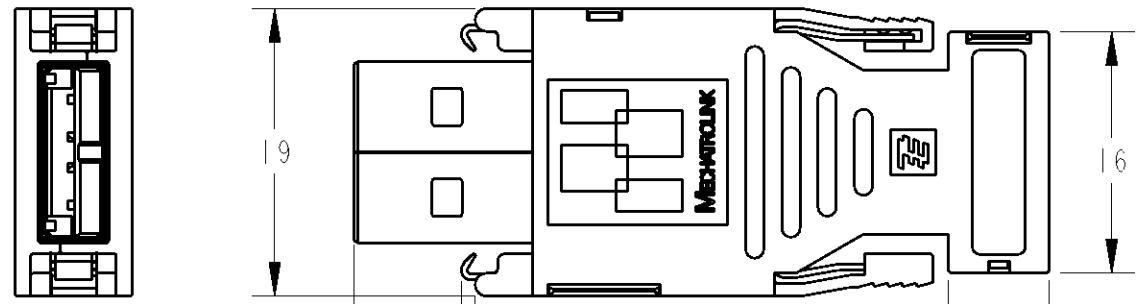
RELEASED FOR PUBLICATION

© COPYRIGHT

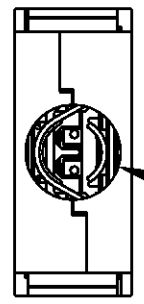
ALL RIGHTS RESERVED.

LOC	DIST	REVISIONS			DATE	DWN	APVD
J	-	P	LTR	DESCRIPTION			
				C1 REVISED PER ECO-11-005030	14APR11	RK	HMR

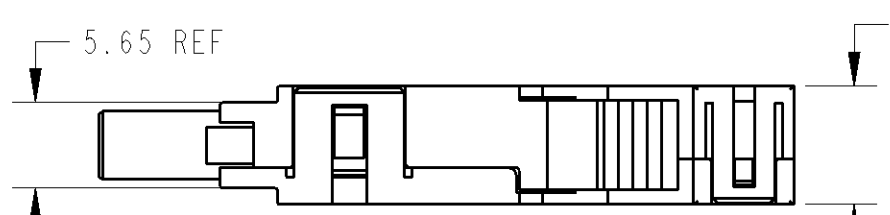
-1:本図
-1:AS SHOWN



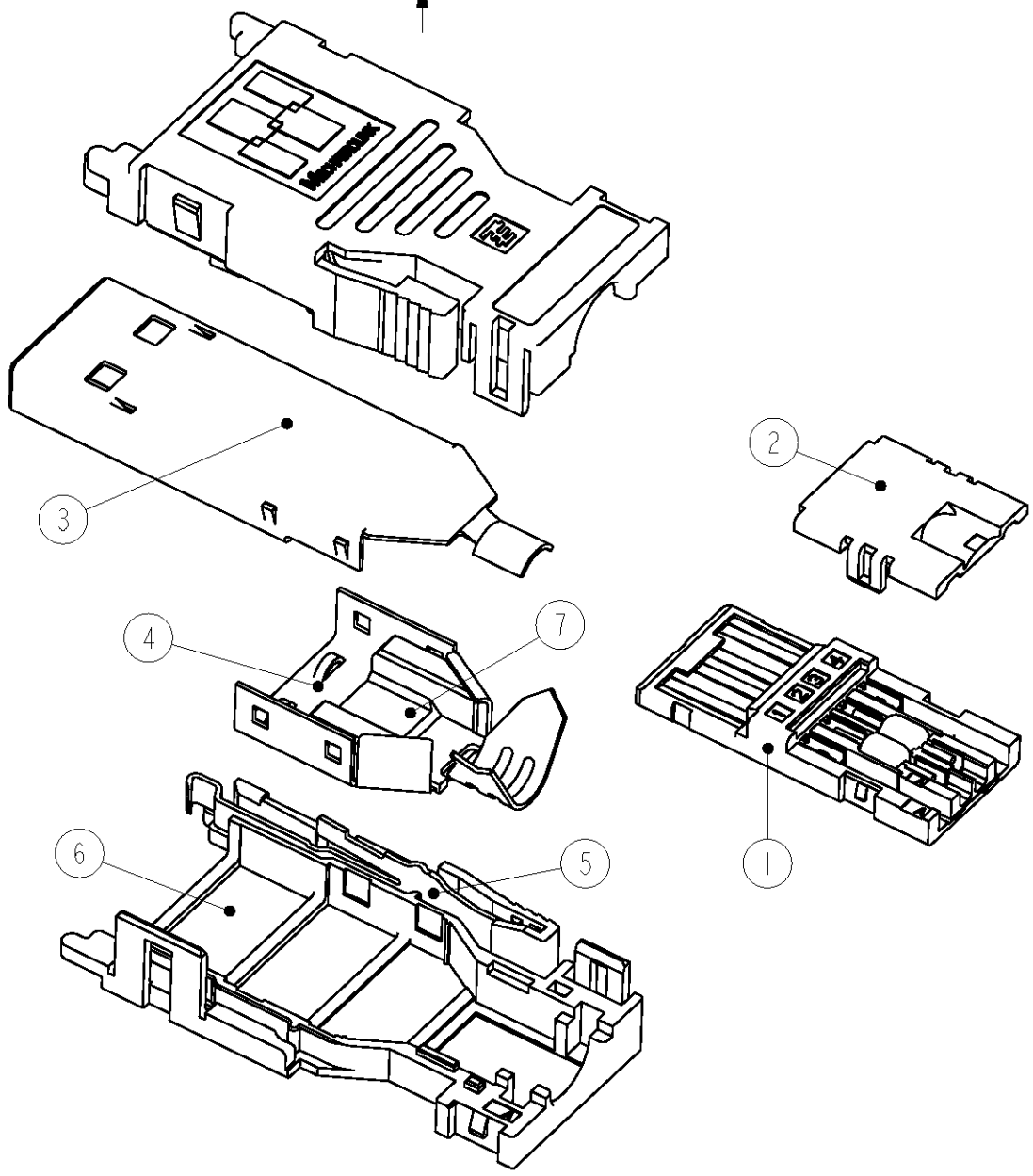
11.81 REF
8.02 REF
7.1 REF



- 適合電線: 大電(株)製(HRZFV-SB AWG25×2心)
- D/Cは同梱の顧客用図面(図面名称欄内)に記載
- 取扱説明書: 411-78259



- ACCEPTABLE WIRE: DAIDEN Co. Ltd. (HRZFV-SB AWG25×2C)
- D/C IS DESCRIBED IN THE BUNDLED CUSTOMER DRAWING (IN DRAWING NAME COLUMN).
- INSTRUCTION SHEET: 411-78259



NO.	MATERIAL / FINISH	PART NAME	ITEM NO.
1	POLYAMIDE OF GLASS FILLED PLASTIC(UL94V-0) ガラス入りポリアミド系樹脂 UL94V-0	RETENTION HSG リテンション ハウジング	7
2	OLYESTER OF GLASS FILLED THERMO PLASTIC(UL94V-0) ガラス入り熱可塑性ポリエステル系樹脂 UL94V-0	COVER HSG カバー ハウジング	6
2	STAINLESS STEEL ステンレス鋼	LOCK SPRING ロック スプリング	5
1	STEEL/UNDER: COPPER PLATING, TOP: Ni PLATING 鋼/下地: 銅めっき, 表面: ニッケルめっき	BACK SHELL OF PLUG バック シェル	4
1	STEEL/UNDER: COPPER PLATING, TOP: Ni PLATING 鋼/下地: 銅めっき, 表面: ニッケルめっき	FRONT SHELL OF PLUG フロント シェル	3
1	POLYESTER OF GLASS FILLED THERMO PLASTIC(UL94V-0) ガラス入り熱可塑性ポリエステル系樹脂 UL94V-0	CAP HSG キャップ ハウジング	2
1	CONTACT(COPPER ALLOY/ UNDER ALL SURFACE: Ni PLATING 1.27µm MIN TOP CONTACT AREA: Au PLATING 0.76µm MIN SOLDERING AREA: Tin PLATING 2µm MIN) HSG(POLYAMIDE OF GLASS FILLED PLASTIC(UL94V-0)) INDUCTOR(TDK SP0203-R10K-PF) コンタクト(銅合金/ 全面: ニッケルめっき下地 1.27µm以上 表面 接点部: 金めっき 0.76µm以上 半田付け部: 錫めっき 2µm以上) ハウジング(ガラス入りポリアミド系樹脂 UL94V-0) インダクタ(TDK製 SP0203-R10K-PF)	SUB PLUG ASSY with INDUCTOR サブ プラグ アッセムリ (インダクタ付)	1
REQUIRED PAR ASSEMBLY	MATERIAL / FINISH 材料/仕上げ	PART NAME 部品名称	ITEM NO.

DIMENSIONS: 単位: 概 mm 	TOLERANCES UNLESS OTHERWISE SPECIFIED: 一般公差 ±0.3 0-PLC ± 1-PLC ± 2-PLC ± 3-PLC ± 4-PLC ± ANGLES ±	DWN 27OCT2006 K. RIKU	TE Connectivity	NAME 名称 MECHATROLINK II CONNECTOR KIT
		CHK 27OCT2006 I. HASEGAWA		
MATERIAL 材料	FINISH 仕上	APVD 27OCT2006 I. HASEGAWA	APPLICATION SPEC 取付適用規格 114-5404	SIZE A3
		WEIGHT TRAY IS CONTAINED 29.9(g)	DRAWING NO 番号 C=1827525	RESTRICTED TO -
CUSTOMER DRAWING			SCALE 尺度 2:1	SHEET OF REV C1