



Chipsmall Limited consists of a professional team with an average of over 10 year of expertise in the distribution of electronic components. Based in Hongkong, we have already established firm and mutual-benefit business relationships with customers from,Europe,America and south Asia,supplying obsolete and hard-to-find components to meet their specific needs.

With the principle of “Quality Parts,Customers Priority,Honest Operation,and Considerate Service”,our business mainly focus on the distribution of electronic components. Line cards we deal with include Microchip,ALPS,ROHM,Xilinx,Pulse,ON,Everlight and Freescale. Main products comprise IC,Modules,Potentiometer,IC Socket,Relay,Connector.Our parts cover such applications as commercial,industrial, and automotives areas.

We are looking forward to setting up business relationship with you and hope to provide you with the best service and solution. Let us make a better world for our industry!



Contact us

Tel: +86-755-8981 8866 Fax: +86-755-8427 6832

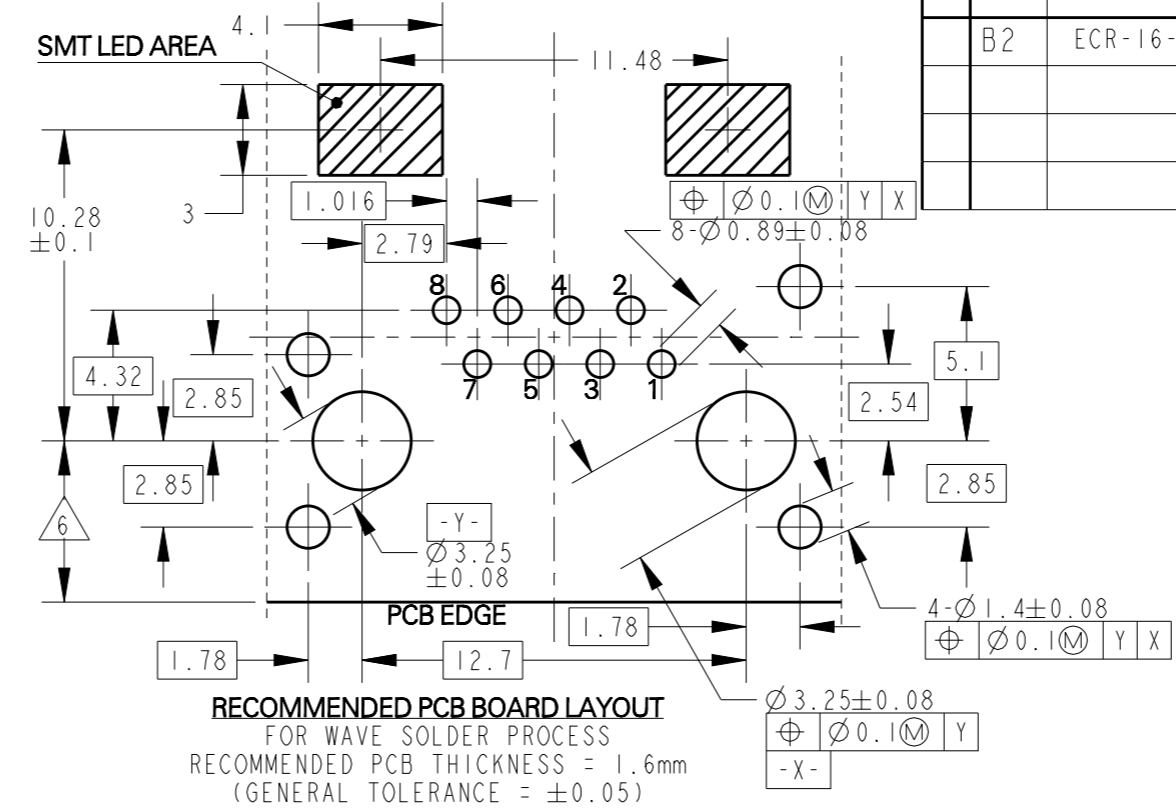
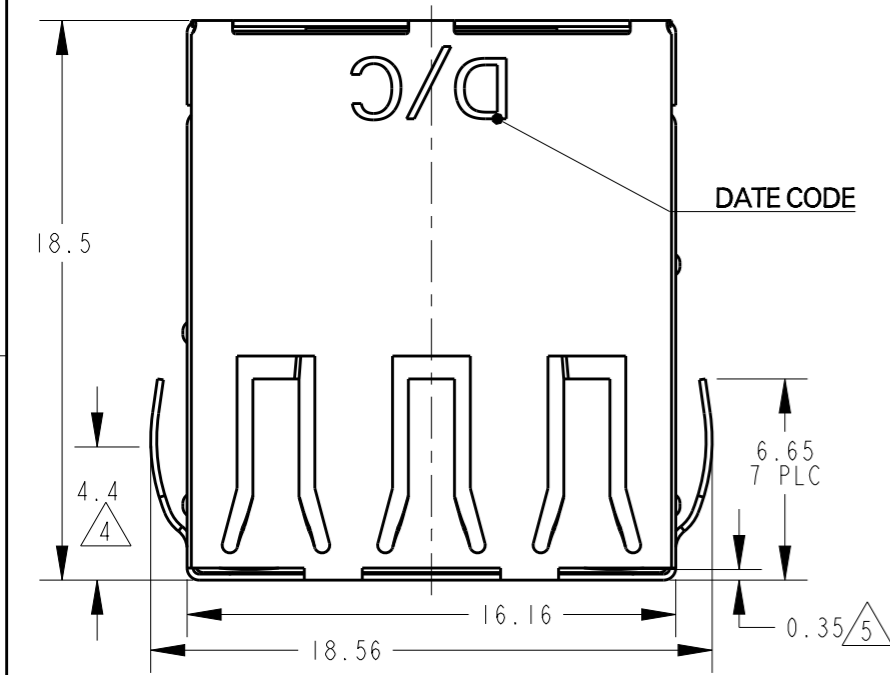
Email & Skype: info@chipsmall.com Web: www.chipsmall.com

Address: A1208, Overseas Decoration Building, #122 Zhenhua RD., Futian, Shenzhen, China



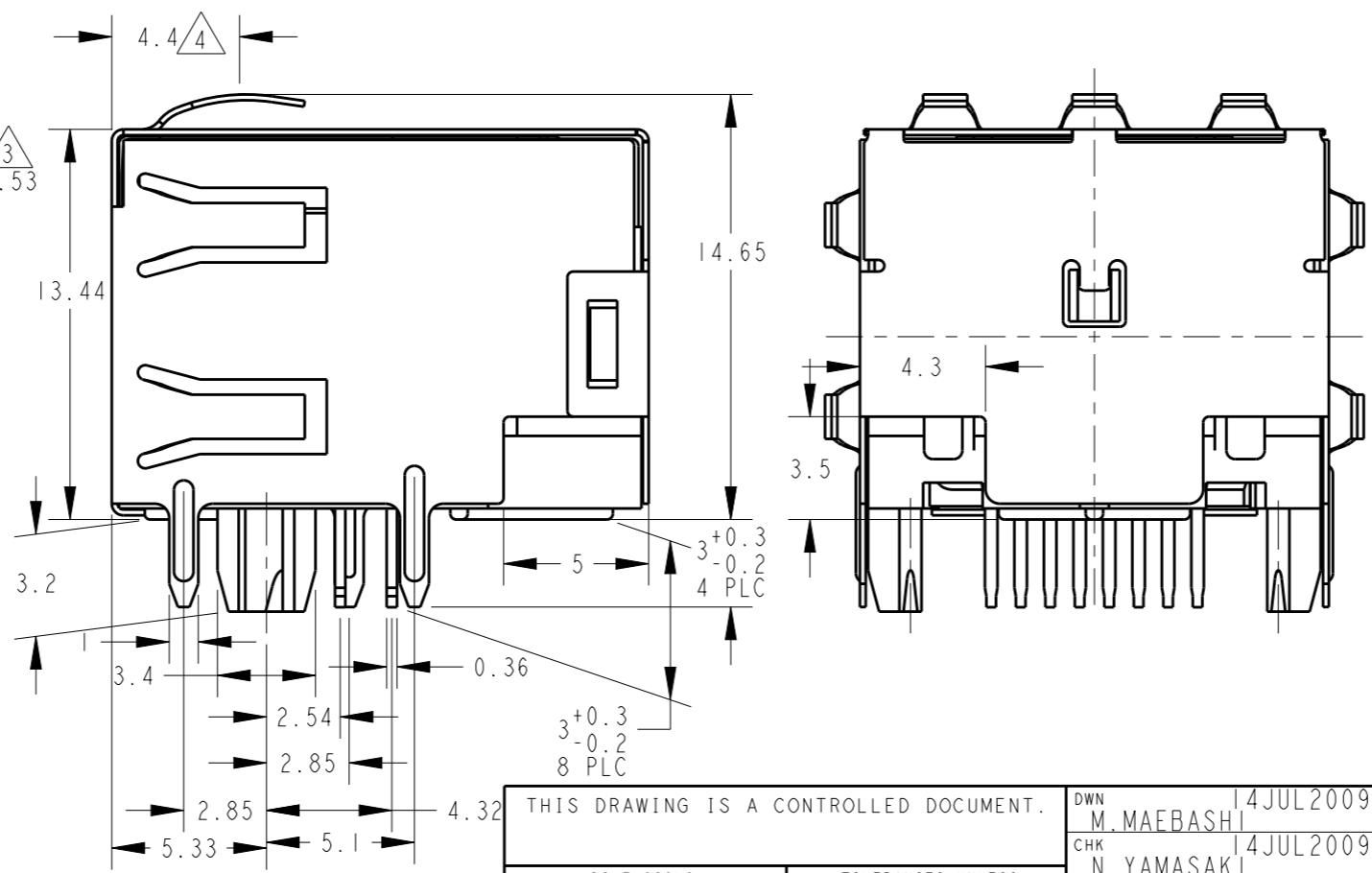
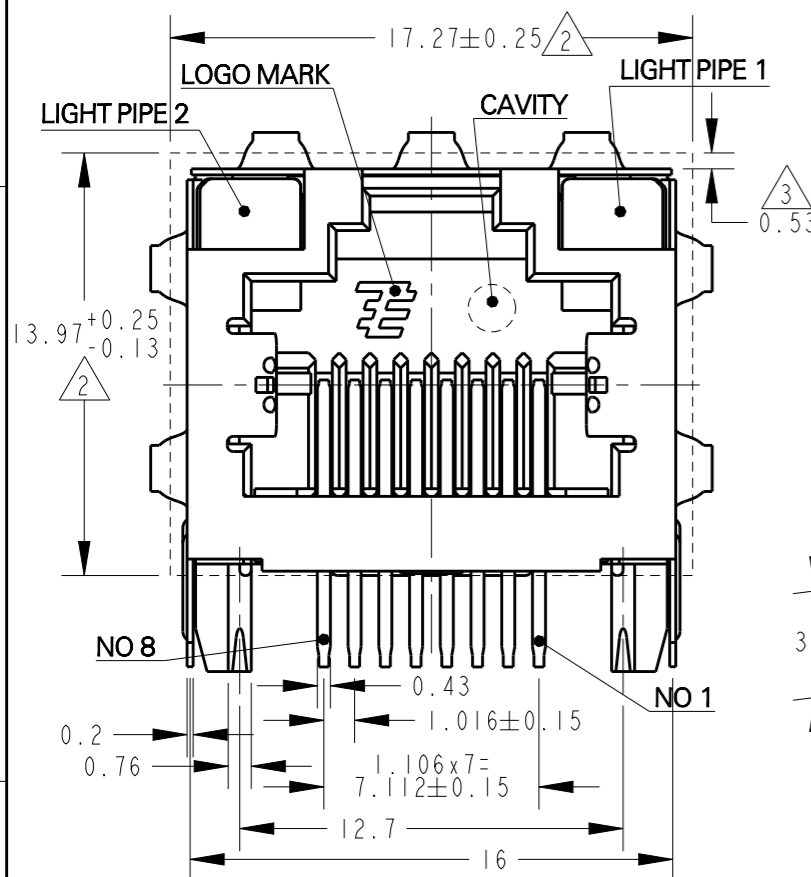
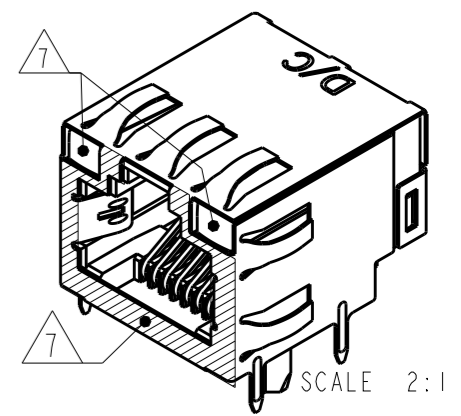
THIS DRAWING IS UNPUBLISHED. RELEASED FOR PUBLICATION 20
 © COPYRIGHT 20 BY - ALL RIGHTS RESERVED.

| REVISIONS | | | | |
|-----------|-----|---------------|-----------|---------|
| P | LTR | DESCRIPTION | DATE | APVD |
| | B2 | ECR-16-013788 | 28SEP2016 | T.S N.Y |

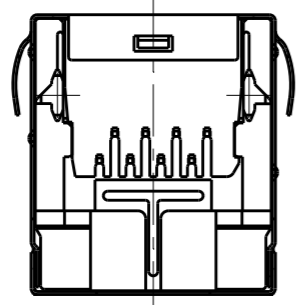


RECOMMENDED ETHERNET PLUG

INDUSTRIAL ETHERNET : 1903527-1
 MODULAR PLUG KIT : 5-1479185-3



- △ MATERIAL
 BODY HOUSING : HIGH TEMPERATURE THERMOPLASTIC, BLACK, UL94V-0.
 INSERT HOUSING : HIGH TEMPERATURE THERMOPLASTIC, BLACK, UL94V-0.
 LIGHT PIPE HOUSING : HIGH TEMPERATURE THERMOPLASTIC, CLEAR, UL94V-2
 TERMINALS : 0.36mm THICKNESS PHOSPH-BRONZE PLATED WITH 3.81µmMIN BRIGHT TIN IN SOLDER AREA, 1.27µmMIN GOLD IN CONTACT AREA, ALL OVER 1.27µmMIN NICKEL.
 SHIELD : 0.2mm THICKNESS PHOSPH-BRONZE PRE-PLATED 1.27µmMIN SEMI-BRIGHT NICKEL, AND POST DIPPED 2.0µmMIN BRIGHT TIN ON PCB GROUND TABS
- △ SUGGESTED PANEL OPENING DIMENSIONS.
- △ SUGGESTED CLEARANCE BETWEEN TOP OF CONNECTOR AND TOP PANEL OPENING.
- △ SUGGESTED PANEL LOCATION POINT.
- △ OFFSET TO LIGHT PIPE.
- △ TO BE DETERMINED BY CUSTOMER.
- △ NO VISIBLE SCRACH AND DAMAGE ON HATCHING AREA AND LIGHT PIPE SURFACE BY VISUAL INSPECTION 300MM APART FROM PRODUCT.



| | | | | | |
|---|--|--|--|--|--|
| THIS DRAWING IS A CONTROLLED DOCUMENT. | | DWN M. MAEBASHI 14JUL2009 | | TE Connectivity | |
| | | CHK N. YAMASAKI 14JUL2009 | | | |
| | | APVD T. KIMURA 14JUL2009 | | NAME RJ45 GIGABIT MODULAR JACK WITH LIGHT PIPE RIGHT ANGLE TYPE 8POS | |
| DIMENSIONS: mm | | TOLERANCES UNLESS OTHERWISE SPECIFIED: ±0.3, ±5° | | PRODUCT SPEC 108-78645 | |
| 0 PLC ± 1 PLC ± 2 PLC ± 3 PLC ± 4 PLC ± ANGLES ± | | MATERIAL | | APPLICATION SPEC - | |
| | | FINISH | | WEIGHT - | |
| | | CUSTOMER DRAWING | | SCALE 4:1 | |
| | | | | SHEET 1 OF 1 | |
| | | | | REV B2 | |