



Chipsmall Limited consists of a professional team with an average of over 10 year of expertise in the distribution of electronic components. Based in Hongkong, we have already established firm and mutual-benefit business relationships with customers from,Europe,America and south Asia,supplying obsolete and hard-to-find components to meet their specific needs.

With the principle of "Quality Parts,Customers Priority,Honest Operation,and Considerate Service",our business mainly focus on the distribution of electronic components. Line cards we deal with include Microchip,ALPS,ROHM,Xilinx,Pulse,ON,Everlight and Freescale. Main products comprise IC,Modules,Potentiometer,IC Socket,Relay,Connector.Our parts cover such applications as commercial,industrial, and automotives areas.

We are looking forward to setting up business relationship with you and hope to provide you with the best service and solution. Let us make a better world for our industry!



## Contact us

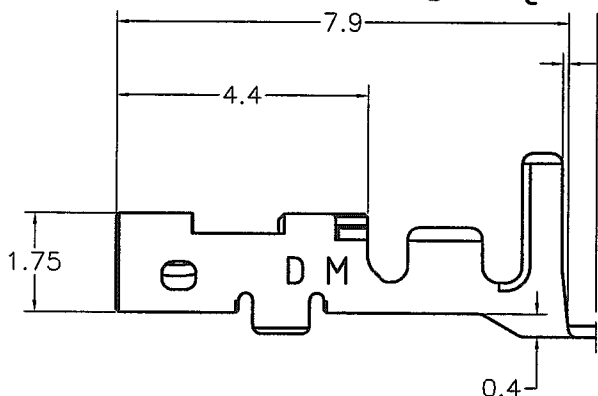
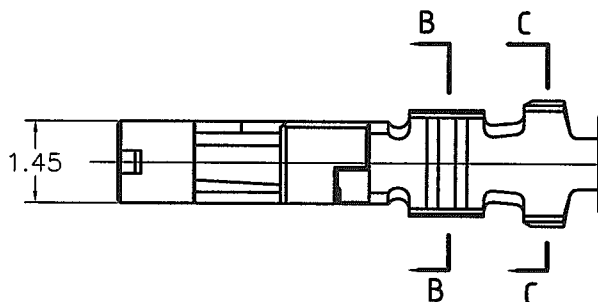
Tel: +86-755-8981 8866 Fax: +86-755-8427 6832

Email & Skype: info@chipsmall.com Web: www.chipsmall.com

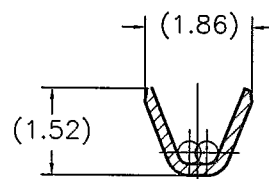
Address: A1208, Overseas Decoration Building, #122 Zhenhua RD., Futian, Shenzhen, China



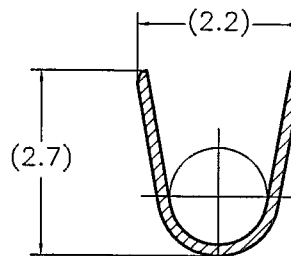
LOC	DIST	REVISIONS			DATE	DWN	APVD
J	-	P	LTR	DESCRIPTION			
		A1		REVISED PER ECO-11-005030	23MAR11	RK	HMR



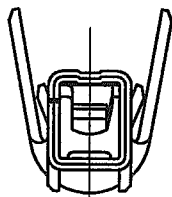
0.5MAX CUT OFF TAB  
0.1



SECT. B-B



SECT. C-C



NOTE

1. GENERAL TORELANCE :  $\pm 0.3, \pm 3^\circ$

1827587-2
PART NUMBER

DIMENSIONS: 単位: 毫米 mm  TOLERANCES UNLESS OTHERWISE SPECIFIED: 一般公差  0 PLC $\pm -$ 1 PLC $\pm -$ 2 PLC $\pm -$ 3 PLC $\pm -$ 4 PLC $\pm -$ ANGLES $\pm -$	DWN T.KUDO 27JAN2005	MATERIAL 材料 COPPER ALLOY	FINISH OVER Ni PL : 1.27 $\mu$ m MIN 仕上 Au PL(CONTACT AREA):0.38 $\mu$ m MIN	
	CHK D.MITSUGI 27JAN2005	TE Connectivity		
	APVD D.MITSUGI 27JAN2005			
	PRODUCT SPEC 製品規格 108-78268	NAME 名称 DYNAMIC D1000 SERIES REC CONTACT (M TYPE)(L/P)		
APPLICATION SPEC 取付適用規格 114-5377	SIZE A4	CAGE CODE 00779	DRAWING NO 番号 C-1827587	RESTRICTED TO -
WEIGHT -	CUSTOMER DRAWING			SCALE 尺度 8:1
			SHEET 1 OF 1	REV A1

THIS DRAWING IS UNPUBLISHED.

ALL RIGHTS RESERVED.

© COPYRIGHT