



Chipsmall Limited consists of a professional team with an average of over 10 year of expertise in the distribution of electronic components. Based in Hongkong, we have already established firm and mutual-benefit business relationships with customers from,Europe,America and south Asia,supplying obsolete and hard-to-find components to meet their specific needs.

With the principle of “Quality Parts,Customers Priority,Honest Operation,and Considerate Service”,our business mainly focus on the distribution of electronic components. Line cards we deal with include Microchip,ALPS,ROHM,Xilinx,Pulse,ON,Everlight and Freescale. Main products comprise IC,Modules,Potentiometer,IC Socket,Relay,Connector.Our parts cover such applications as commercial,industrial, and automotives areas.

We are looking forward to setting up business relationship with you and hope to provide you with the best service and solution. Let us make a better world for our industry!



Contact us

Tel: +86-755-8981 8866 Fax: +86-755-8427 6832

Email & Skype: info@chipsmall.com Web: www.chipsmall.com

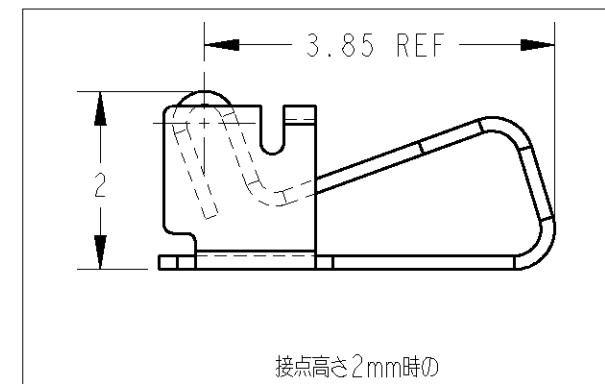
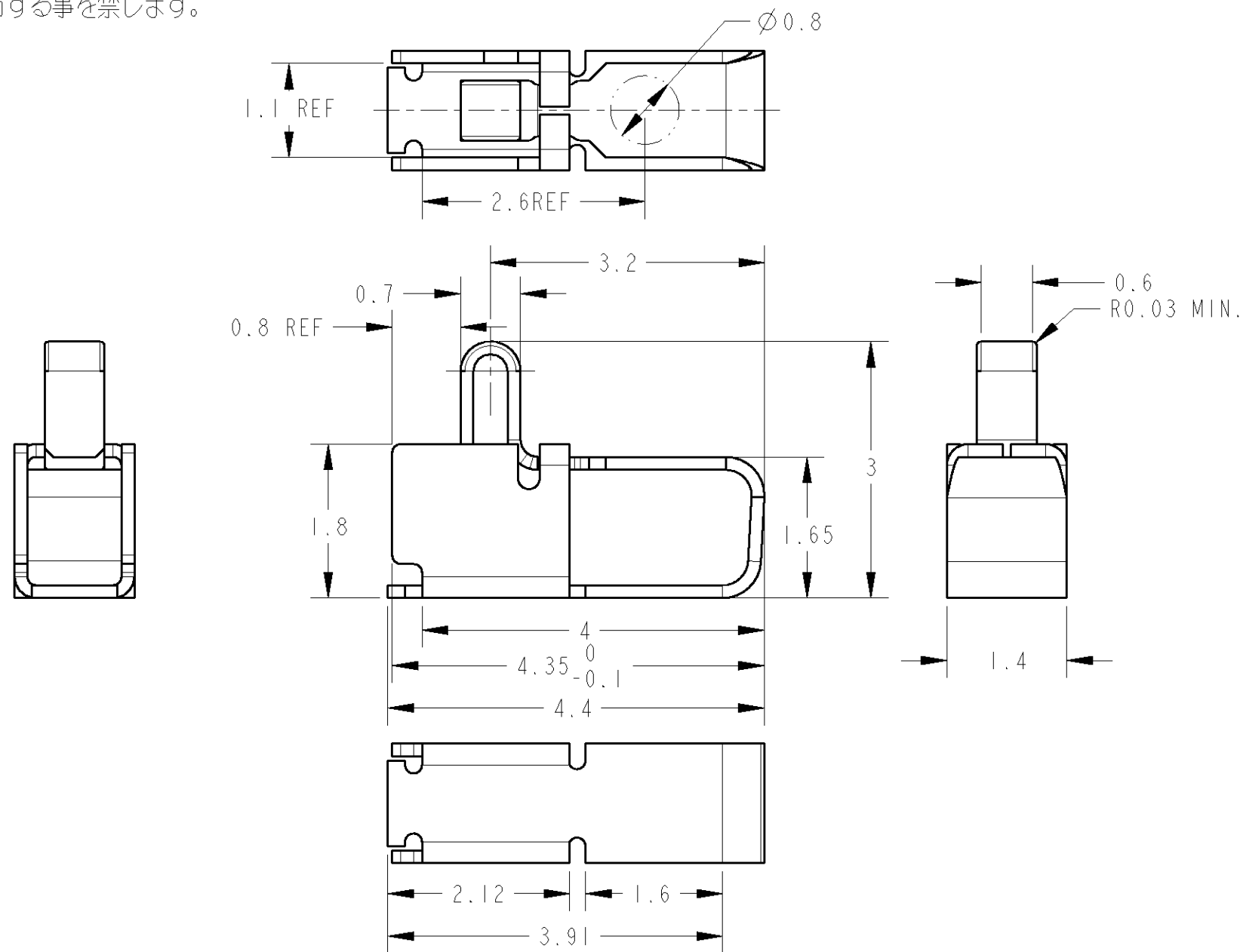
Address: A1208, Overseas Decoration Building, #122 Zhenhua RD., Futian, Shenzhen, China



LOC	DIST	REVISIONS					
		P	LTR	DESCRIPTION	DATE	DWN	APVD
J	-		AI	REVISED	28MAY07	C.O	Y.N

本図面に記載された内容はタイコ エレクトロニクス アンパ(株)の所有する情報を開示しております。
 無断で複写・配布する事を禁じます。

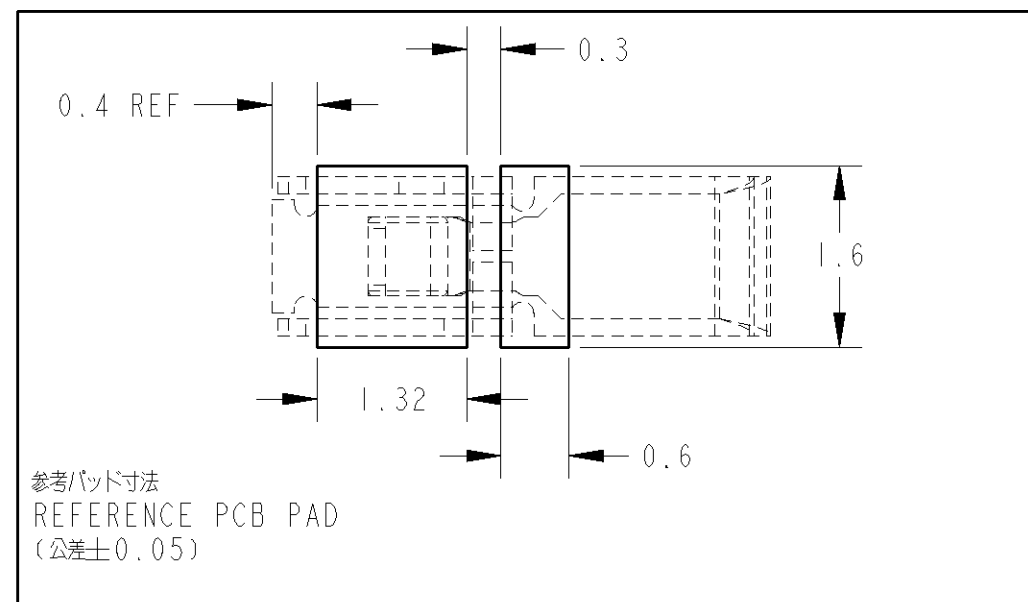
特許出願中



-1; 本図
 -1; AS SHOWN

- ① めっき仕様
 全面Ni下地 : 0.8 μ m MIN
 コンタクトポイント : Au 0.25~0.5 μ m
 半田付けエリア : Au 0.05 μ m MIN
- 2. カットバリ : 0.05MAX
 その他 全周バリ : 0.03MAX
- ③ 材料: 銅合金
- 4 1mmストローク時に1N以上

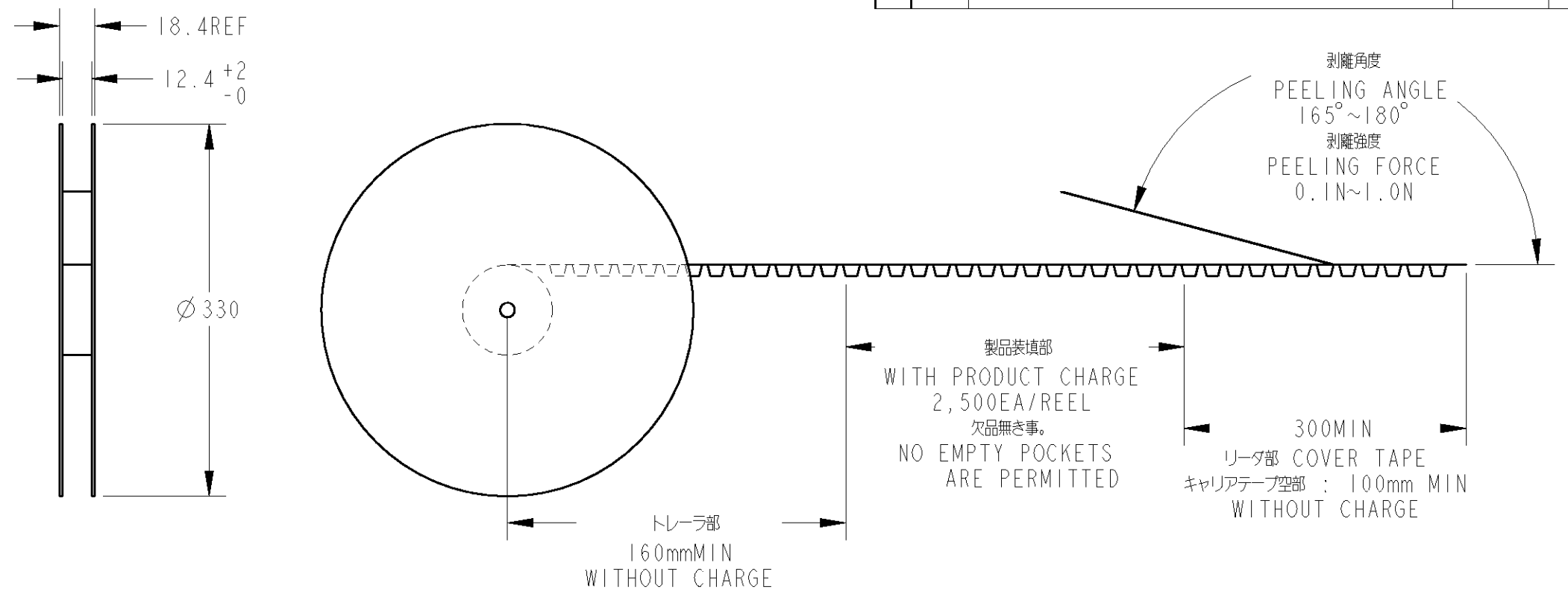
- ① PLATED
 ALL OVER; Ni 0.8 μ m MIN
 CONTACT POINT; Au 0.25~0.5 μ m
 SOLDERING AREA; Au 0.05 μ m MIN
- 2. CUT BURR; 0.05 MAX.
 OTHER BURR; 0.03 MAX.
- ③ MATERIAL; COPPER ALLOY
- 4 IN MIN. / 1mm STROKE



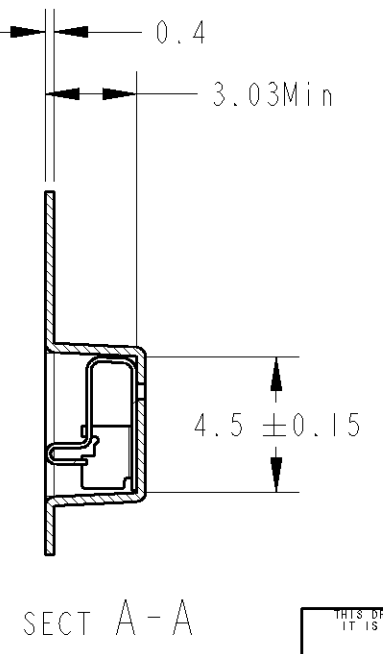
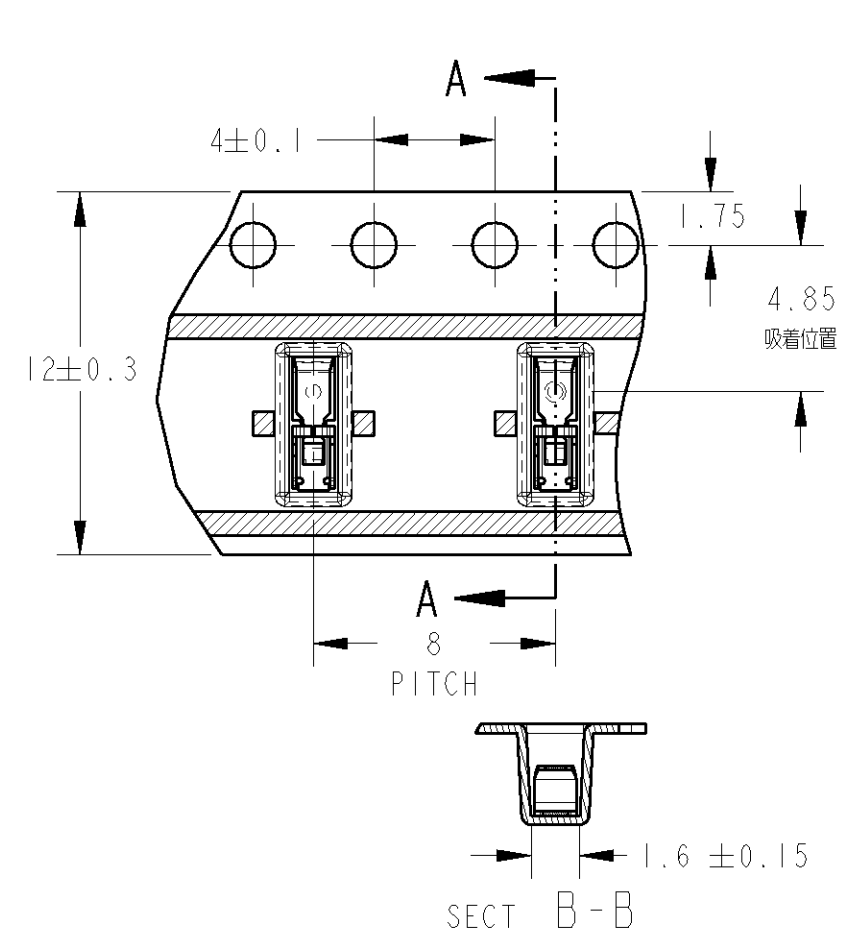
THIS DRAWING IS A CONTROLLED DOCUMENT FOR TYCO ELECTRONICS CORPORATION IT IS SUBJECT TO CHANGE AND THE CONTROLLING ENGINEERING ORGANIZATION SHOULD BE CONTACTED FOR THE LATEST REVISION.		DWN C.OHASHI 10MAR2005 CHK T.KIMURA 10MAR2005 APVD T.KIMURA 10MAR2005		tyco Tyco Electronics AMP K.K. Electronics Kawasaki, Japan	
DIMENSIONS: 単位: 概 mm		TOLERANCES UNLESS OTHERWISE SPECIFIED: 一般公差 ±0.2 0-PLC ± 1-PLC ±0.5 2-PLC ±0.13 3-PLC ±0.013 4-PLC ±0.0001 ANGLES ±		NAME 名称 SHIELD FINGER 3014 ANTI OVER STRESS TYPE EMBOSS PACKING	
MATERIAL 材料 SEE NOTE		FINISH 仕上 SEE NOTE		PRODUCT SPEC 製品規格 - APPLICATION SPEC 取付適用規格 - WEIGHT 0.01g	
①		②		SIZE A3 CAGE CODE 00779 DRAWING NO. 1827625 RESTRICTED TO - CUSTOMER DRAWING SCALE 15:1 SHEET 1 OF 2 REV AI	

THIS DRAWING IS UNPUBLISHED. RELEASED FOR PUBLICATION 20
 © COPYRIGHT 20 BY TYCO ELECTRONICS CORPORATION. ALL RIGHTS RESERVED.

LOC	DIST	REVISIONS					
		P	LTR	DESCRIPTION	DATE	DWN	APVD
J	-	-	-	SEE SHEET 1	-	-	-



→ DIRECTION OF TOP OF REEL



- | ; AS SHOWN
 - | ; 本図

<small>THIS DRAWING IS A CONTROLLED DOCUMENT FOR TYCO ELECTRONICS CORPORATION IT IS SUBJECT TO CHANGE AND THE CONTROLLING ENGINEERING ORGANIZATION SHOULD BE CONTACTED FOR THE LATEST REVISION.</small>		DWN C.OHASHI 10MAR2005 CHK T.KIMURA 10MAR2005 APVD T.KIMURA 10MAR2005		tyco Tyco Electronics AMP K.K. Electronics Kawasaki, Japan	
DIMENSIONS: mm 		TOLERANCES UNLESS OTHERWISE SPECIFIED: 0 PLC ±- 1 PLC ±0.5 2 PLC ±0.13 3 PLC ±0.013 4 PLC ±0.0001 ANGLES ±-		NAME SHIELD FINGER 3014 ANTI OVER STRESS TYPE EMBOSS PACKING	
MATERIAL -		FINISH -		SIZE A3 CAGE CODE 00779 DRAWING NO C-1827625 RESTRICTED TO -	
CUSTOMER DRAWING				SCALE 15:1 SHEET 2 OF 2 REV A1	