



Chipsmall Limited consists of a professional team with an average of over 10 year of expertise in the distribution of electronic components. Based in Hongkong, we have already established firm and mutual-benefit business relationships with customers from,Europe,America and south Asia,supplying obsolete and hard-to-find components to meet their specific needs.

With the principle of “Quality Parts,Customers Priority,Honest Operation,and Considerate Service”,our business mainly focus on the distribution of electronic components. Line cards we deal with include Microchip,ALPS,ROHM,Xilinx,Pulse,ON,Everlight and Freescale. Main products comprise IC,Modules,Potentiometer,IC Socket,Relay,Connector.Our parts cover such applications as commercial,industrial, and automotives areas.

We are looking forward to setting up business relationship with you and hope to provide you with the best service and solution. Let us make a better world for our industry!



Contact us

Tel: +86-755-8981 8866 Fax: +86-755-8427 6832

Email & Skype: info@chipsmall.com Web: www.chipsmall.com

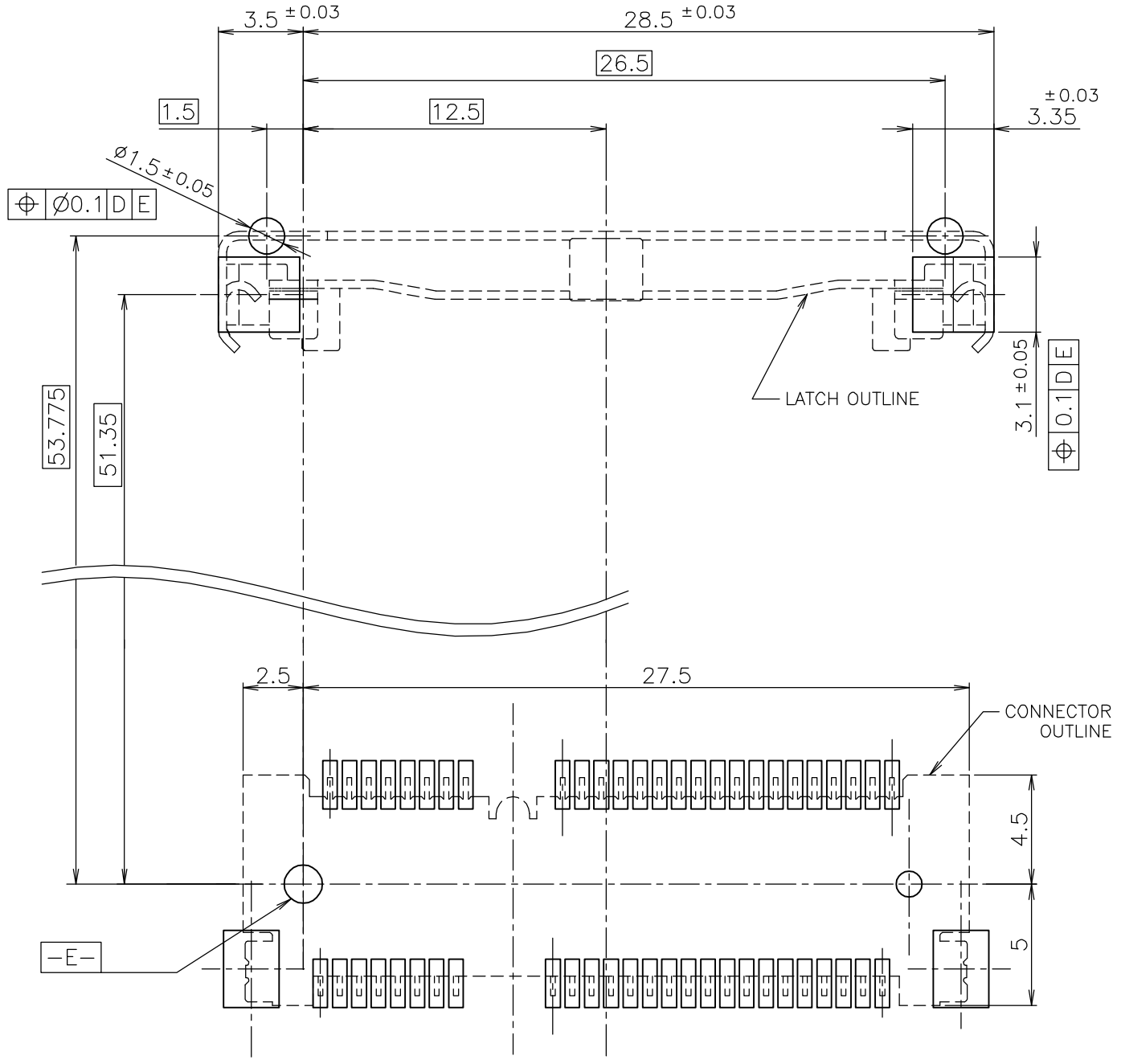
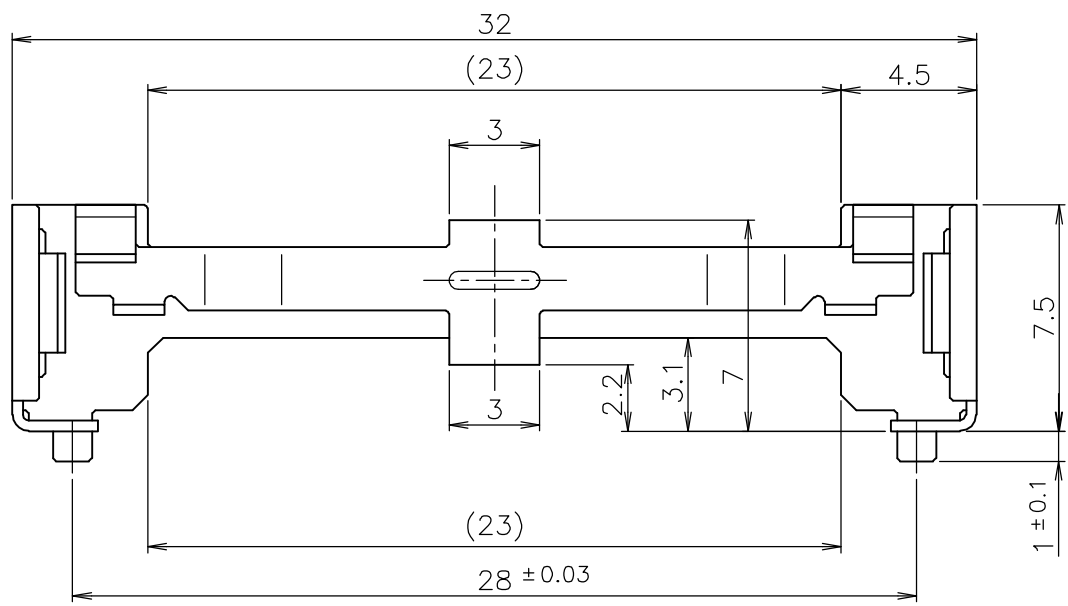
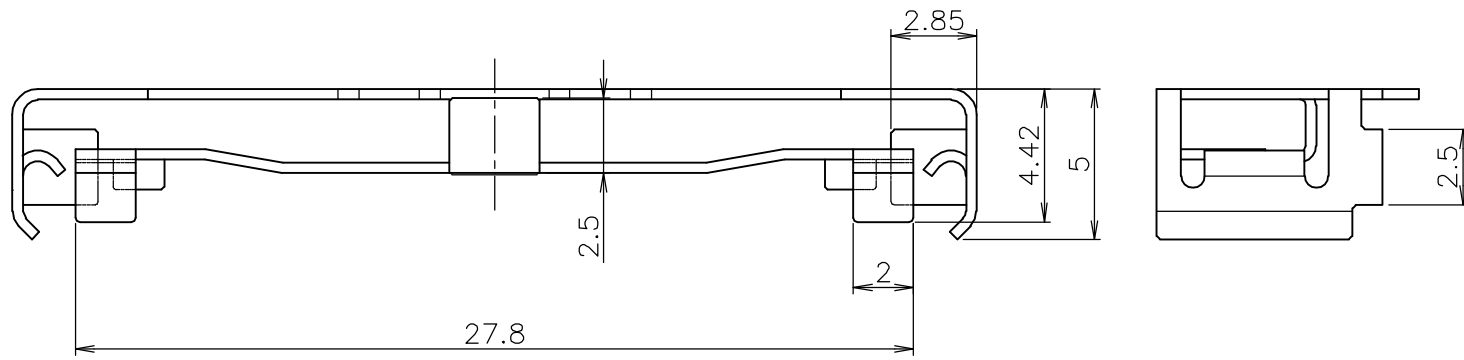
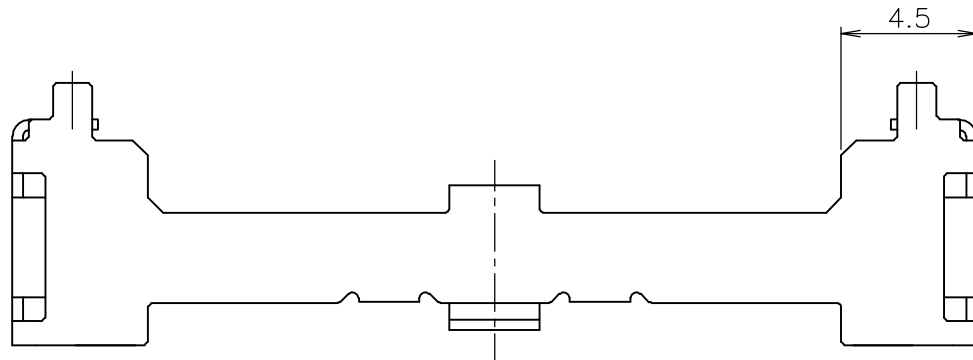
Address: A1208, Overseas Decoration Building, #122 Zhenhua RD., Futian, Shenzhen, China



THIS DRAWING IS UNPUBLISHED. RELEASED FOR PUBLICATION JAN 2006.

© COPYRIGHT 2006 BY TYCO ELECTRONICS CORPORATION. ALL RIGHTS RESERVED.

LOC	DIST	REVISIONS					
J		P	LTR	DESCRIPTION	DATE	DWN	APVD
		A		RELEASED	14FEB06	T.K	T.S



NOTE
 1. MATERIAL : STAINLESS STEEL
 2. FINISH : TIN PLATING ALL OVER NICKEL
 3. [D] IS THE TOP SURFACE OF PCB.

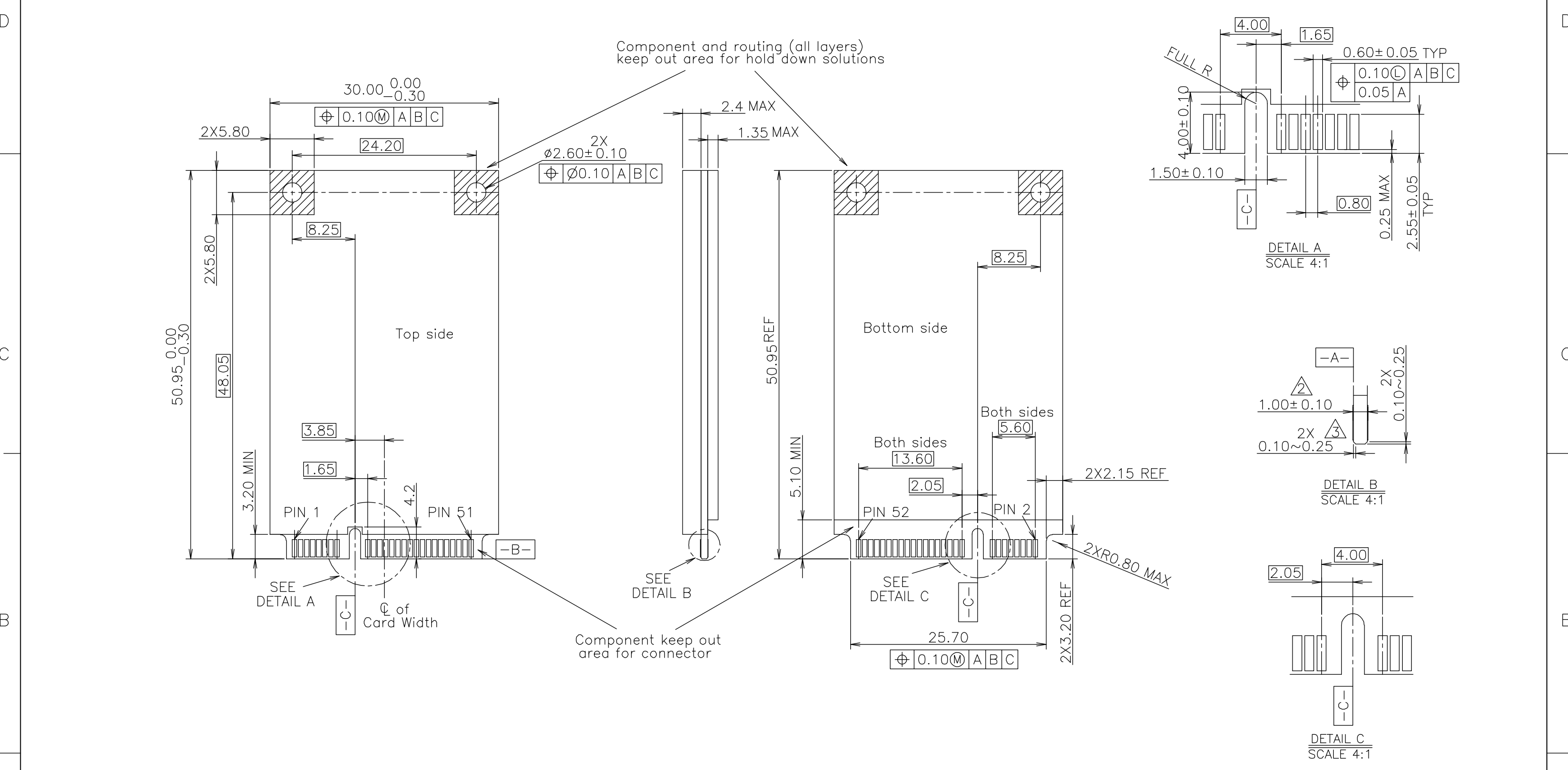
H7	1827682-1
HEIGHT	PART NUMBER
TOLERANCES UNLESS OTHERWISE SPECIFIED 一般公差 10? : ± 0.2 30? >10 : ± 0.25 100? >10 : ± 0.3 ANGLES ± 3°	

THIS DRAWING IS A CONTROLLED DOCUMENT.	
DIMENSIONS: MM	TOLERANCES UNLESS OTHERWISE SPECIFIED:
	0 PLC ±
	1 PLC ±
	2 PLC ±
	3 PLC ±
	4 PLC ±
	ANGLES ±
MATERIAL	FINISH

DWN T.KAWAMAE 17JAN06	Tyco Electronics AMP K.K. Kawasaki, Japan	
CHK T.SASAKI 17JAN06	NAME LATCH MINI PCI EXPRESS CONNECTOR	
APVD T.SASAKI 17JAN06	PRODUCT SPEC 108-78302	APPLICATION SPEC
SIZE A3	CAGE CODE 00779	DRAWING NO C-1827682
RESTRICTED TO	SCALE 4:1	SHEET 1 OF 3
CUSTOMER DRAWING	REV A	

THIS DRAWING IS UNPUBLISHED. RELEASED FOR PUBLICATION JAN 2006.
 © COPYRIGHT 2006 BY TYCO ELECTRONICS CORPORATION. ALL RIGHTS RESERVED.

LOC	DIST	REVISIONS			
P	LTR	DESCRIPTION	DATE	DWN	APVD
J		SEE SHEET 1	-	-	-

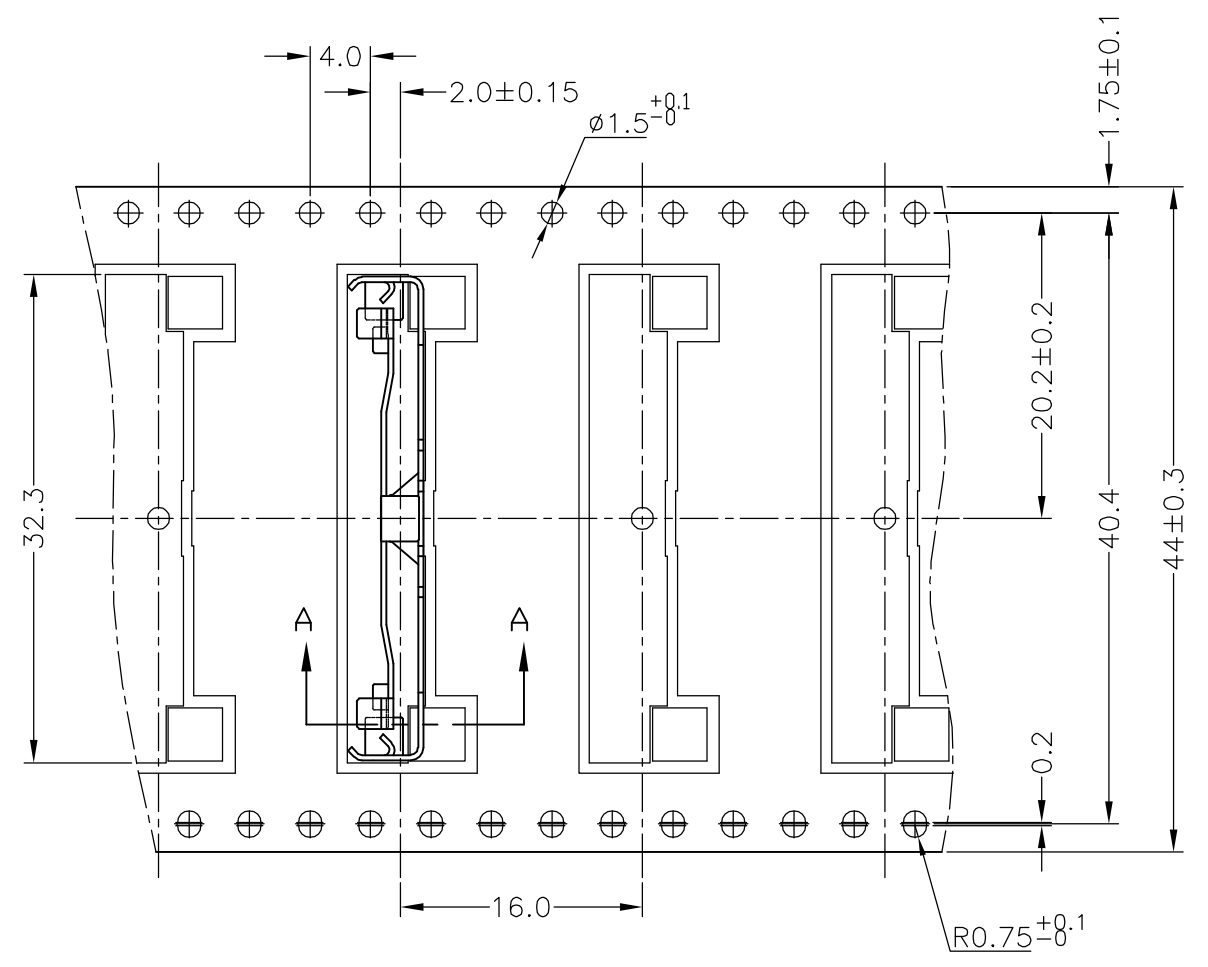


NOTES
 1. PCI EXPRESS MINI CARD, PCB THICKNESS 1.0MM.
 2. CARD THICKNESS APPLIES ACROSS TABS AND INCLUDES PLATING AND/OR METALIZATION.
 3. BEVEL MUST BE FREE OF CUTTING BURRS.

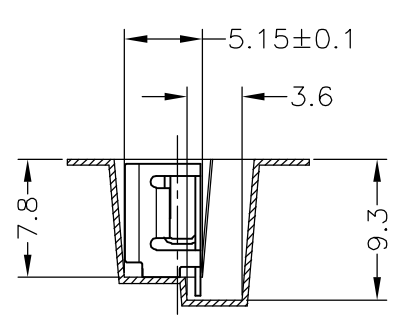
THIS DRAWING IS A CONTROLLED DOCUMENT.		DWN	Tyco Electronics AMP K.K.		
DIMENSIONS: MM		CHK	Kawasaki, Japan		
TOLERANCES UNLESS OTHERWISE SPECIFIED:		APVD	NAME		
0 PLC ±		PRODUCT SPEC	LATCH		
1 PLC ±		APPLICATION SPEC	MINI PCI EXPRESS CONNECTOR		
2 PLC ±		SIZE	CAGE CODE	DRAWING NO	RESTRICTED TO
3 PLC ±		A3	00779	C-1827682	-
4 PLC ±		CUSTOMER DRAWING			
ANGLES ±		SCALE	SHEET	OF	REV
FINISH ±		2:1	2	3	A

THIS DRAWING IS UNPUBLISHED. RELEASED FOR PUBLICATION JAN 2006.
 © COPYRIGHT 2006 BY TYCO ELECTRONICS CORPORATION. ALL RIGHTS RESERVED.

LOC	DIST	REVISIONS					
		P	LTR	DESCRIPTION	DATE	DWN	APVD
J			-	SEE SHEET 1	-	-	-

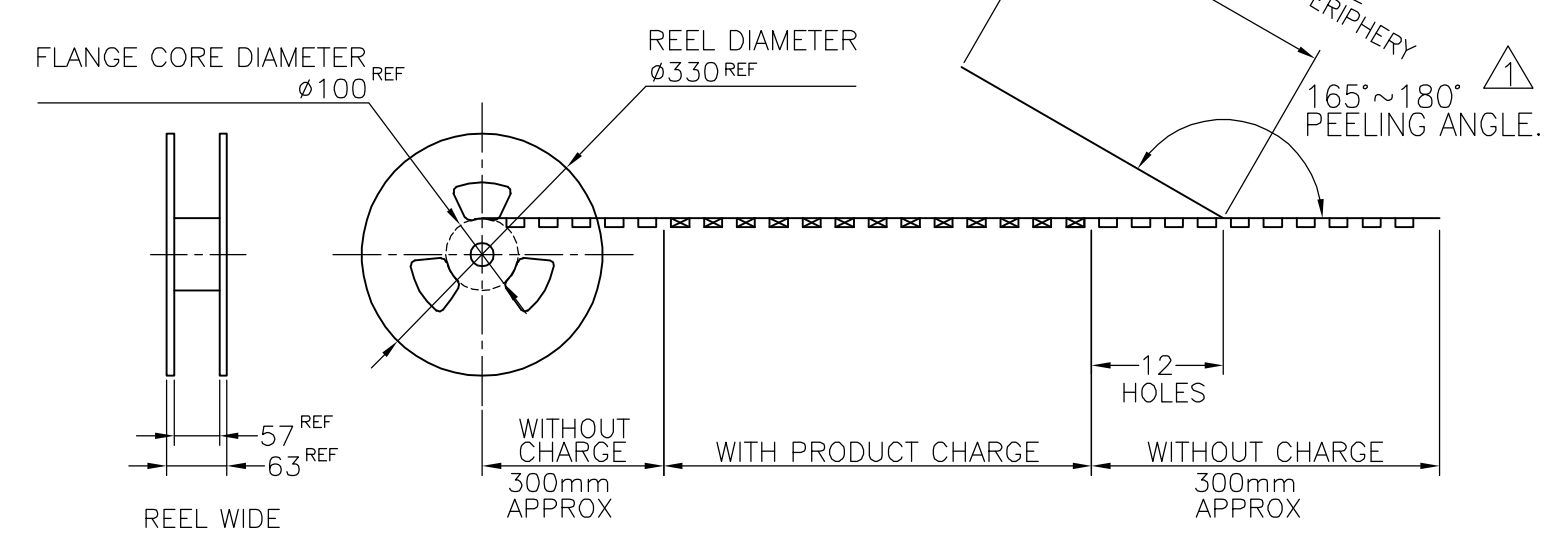


△ PEELING RESISTANCE: 0.1~0.3N
 SPEED: 300mm/min.



A-A

TOP OF REEL →



300EA	8-912103-4	1827682-1
QTY/REEL	EMBOSS TAPE P/N	P/N

THIS DRAWING IS A CONTROLLED DOCUMENT.		DWN	tyco Tyco Electronics AMP K.K. Kawasaki, Japan		
DIMENSIONS: MM		CHK	NAME		
TOLERANCES UNLESS OTHERWISE SPECIFIED:		APVD	LATCH MINI PCI EXPRESS CONNECTOR		
0 PLC ±		PRODUCT SPEC	SIZE	CAGE CODE	DRAWING NO
1 PLC ±		APPLICATION SPEC	A3	00779	C-1827682
2 PLC ±		WEIGHT	RESTRICTED TO		
3 PLC ±			CUSTOMER DRAWING		
4 PLC ±			SCALE	SHEET	REV
ANGLES ±			4:1	3 OF 3	A
FINISH					